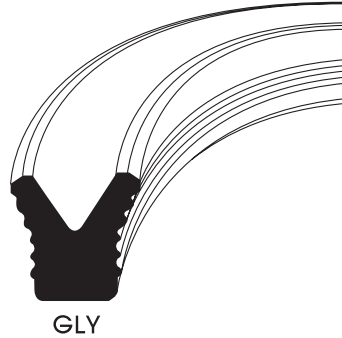


## Piston & Rod Seals

GLY

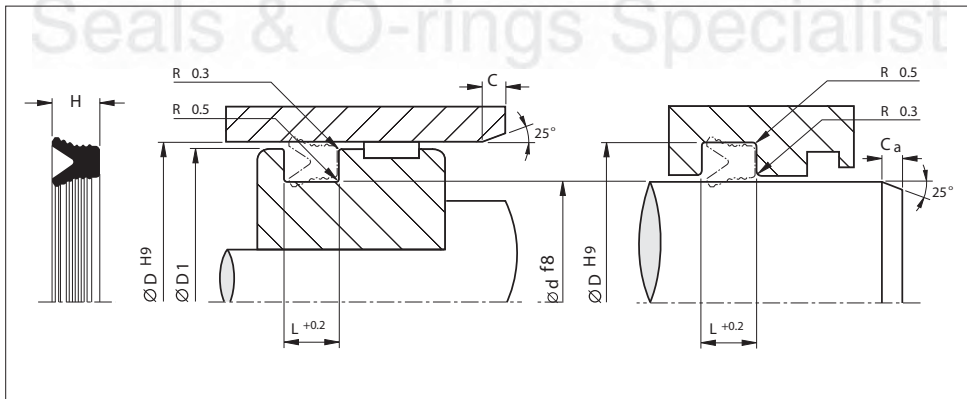
(Metric Size)



Material	Pressure (Bar)	Temp. (°c)	Speed (m/s)
NBR	10	-25 +70	1

- Applicable for both pistons and rods.
- Exclusively for non lubrication cylinders.
- Easy to installed.
- Economical solution

### Installation Recommendation



Surface roughness	Ra	Rt
-------------------	----	----

Sliding surface	≤ 0.3 µm	≤ 4 µm
Surface of housing	≤ 1.8 µm	≤ 10 µm
Sides of housing	≤ 3.0 µm	≤ 16 µm

# Piston & Rod Seals - GLY



(Metric Size)

Rod/ Groove Dia.	Bore/ Groove Dia.	Seal Height	Groove Width	Dimensions			Reference (For order processing)
				d	D	H	
10.0	18.0	5.0	5.7	17.1	3.0	1.5	GLY-010
12.0	20.0	5.0	5.7	19.1	3.0	1.5	GLY-012
14.0	22.0	5.0	5.7	21.1	3.0	1.5	GLY-014
16.0	24.0	5.0	5.7	23.1	3.0	1.5	GLY-016
17.0	25.0	5.0	5.7	24.1	3.0	1.5	GLY-017
18.0	26.0	5.0	5.7	25.1	3.0	1.5	GLY-018
20.0	28.0	5.0	5.7	27.1	3.0	1.5	GLY-020
22.4	30.0	5.0	5.7	29.1	3.0	1.5	GLY-022.4
25.0	33.0	5.0	5.7	32.1	3.0	1.5	GLY-025
27.0	35.0	5.0	5.7	34.1	3.0	1.5	GLY-027
28.0	36.0	5.0	5.7	35.1	3.0	1.5	GLY-028
30.0	40.0	6.0	7.0	39.0	3.0	3.0	GLY-030
31.5	41.5	6.0	7.0	40.5	3.0	3.0	GLY-031.5
32.0	42.0	6.0	7.0	41.0	3.0	3.0	GLY-032
35.0	45.0	6.0	7.0	44.0	3.0	3.0	GLY-035
35.5	45.5	6.0	7.0	44.5	3.0	3.0	GLY-035.5
36.0	46.0	6.0	7.0	45.0	3.0	3.0	GLY-036
40.0	50.0	6.0	7.0	49.0	3.0	3.0	GLY-040
45.0	55.0	6.0	7.0	54.0	3.0	3.0	GLY-045
50.0	60.0	6.0	7.0	59.0	3.0	3.0	GLY-050
53.0	63.0	6.0	7.0	62.0	3.0	3.0	GLY-053
55.0	65.0	6.0	7.0	64.0	3.0	3.0	GLY-055
60.0	70.0	6.0	7.0	69.0	3.0	3.0	GLY-060
63.0	73.0	6.0	7.0	72.0	3.0	3.0	GLY-063
65.0	75.0	6.0	7.0	74.0	3.0	3.0	GLY-065
70.0	80.0	6.0	7.0	79.0	3.0	3.0	GLY-070
75.0	85.0	6.0	7.0	84.0	3.0	3.0	GLY-075
80.0	90.0	6.0	7.0	89.0	3.0	3.0	GLY-080
85.0	100.0	9.0	10.0	98.5	4.0	4.0	GLY-085
95.0	110.0	9.0	10.0	108.5	4.0	4.0	GLY-095
100.0	115.0	9.0	10.0	113.5	4.0	4.0	GLY-100
105.0	120.0	9.0	10.0	118.5	4.0	4.0	GLY-105
110.0	125.0	9.0	10.0	123.5	4.0	4.0	GLY-110
115.0	130.0	9.0	10.0	128.5	4.0	4.0	GLY-115
125.0	140.0	9.0	10.0	138.5	4.0	4.0	GLY-125
135.0	150.0	9.0	10.0	148.5	4.0	4.0	GLY-135
145.0	160.0	9.0	10.0	158.5	4.0	4.0	GLY-145
160.0	175.0	9.0	10.0	173.5	4.0	4.0	GLY-160
165.0	180.0	9.0	10.0	178.5	4.0	4.0	GLY-165
175.0	190.0	9.0	10.0	188.5	4.0	4.0	GLY-175

(Metric Size)

Rod/ Groove Dia.	Bore/ Groove Dia.	Seal Hight	Groove Width	Dimensions			Reference (For order processing)
				d	D	H	
180.0	200.0	12.0	13.0	198.0	5.0	5.0	GLY-180
185.0	205.0	12.0	13.0	203.0	5.0	5.0	GLY-185
200.0	220.0	12.0	13.0	218.0	5.0	5.0	GLY-200
215.0	235.0	12.0	13.0	233.0	5.0	5.0	GLY-215
230.0	250.0	12.0	13.0	248.0	5.0	5.0	GLY-230
240.0	260.0	12.0	13.0	258.0	5.0	5.0	GLY-240

