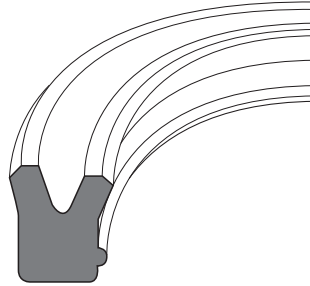


Rod Seals

RS/L, H-605, TTI/L

(Metric Size)

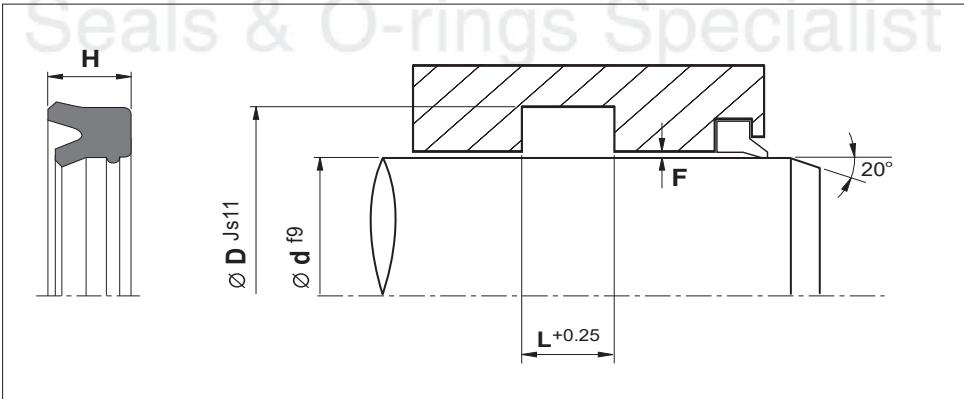


RS/L, H-605, TTI/L

Material	Pressure (Bar)	Temp. (°C)	Speed (m/s)
PU	400	-45 +110	1

- Twin lip design offering lower friction.
- Good abrasion resistance, wear-resistant.
- Easy installation.
- Range includes standard asian housings.

Installation Recommendation



Surface roughness	Ra	Rt	Pressure		Clearance F Max	
			Bar	d <60 mm	d > 60 mm	
Sliding surface	≤ 0.3 µm	≤ 4 µm	50	0.40	0.50	
Surface of housing	≤ 1.8 µm	≤ 10 µm	100	0.30	0.40	
Sides of housing	≤ 3.0 µm	≤ 16 µm	200	0.20	0.30	
			300	0.15	0.20	
			400	0.10	0.15	

Rod U-Cup

(Metric Size)

Rod Dia.	Groove Dia.	Seal Height	Groove Width.	Reference	Reference	Reference
d	D	H	L			
10.0	15.0	3.6	4.0		H605-4402300	
12.0	18.0	5.7	6.3		H605-4314900	
12.0	19.0	4.5	5.0		H605-4341600	
12.0	20.0	5.7	6.3		H605-4310900	
12.0	22.0	7.7	9.0		H605-4315000	
12.7	18.0	5.5	6.0		H605-4370400	
13.0	20.0	4.5	5.0		H605-4351600	
14.0	22.0	5.7	6.3		H605-4311000	
14.0	24.0	7.0	8.0			UC 014-024-07 TTI/L
14.0	24.0	7.3	8.0	RS 014-024/L	H605-4310000	
15.0	23.0	5.8	6.3			UC 015-023-05.8 TTI/Al
15.0	26.0	7.0	8.0	RS 015-026/L		UC 015-026-07 TTI/L
15.3	25.5	6.3	7.4		H605-4333800	
15.4	25.5	6.5	7.4	RS 015.4-025.5/L		
16.0	22.0	4.5	5.0		H605-4341700	
16.0	22.0	5.0	6.0		H605-4314100	
16.0	24.0	5.8	6.3		H605-4295200	
16.0	26.0	7.7	9.0		H605-4311100	
18.0	25.0	5.0	6.0		H605-4314200	
18.0	26.0	5.0	5.7		H605-4611000	
18.0	26.0	5.7	6.3		H605-4311200	
18.0	26.0	6.0	7.0		H605-4333900	
18.0	26.0	6.2	7.2			UC 018-026-06.2 TTI/L
18.0	26.0	6.3	7.0	RS 018-026/L1		
18.0	26.0	8.0	9.0	RS 018-026/L		UC 018-026-08 TTI/L
18.0	28.0	7.7	9.0		H605-4305100	
19.5	27.5	8.0	9.0	RS 019.5-027.5/L		
20.0	25.0	3.2	3.5		H605-4332100	
20.0	26.0	5.0	5.5		H605-4315100	
20.0	28.0	5.0	5.7		H605-4611100	
20.0	28.0	5.7	6.3		H605-4362100	
20.0	30.0	6.0	7.0		H605-4611200	
20.0	30.0	7.7	9.0		H605-4305200	
20.0	30.0	10.0	11.0		H605-4310300	
22.0	30.0	5.7	6.3		H605-4305300	
22.0	30.0	6.0	7.0	RS 022-030/L		
22.0	30.0	7.3	8.0		H605-4356800	
22.0	32.0	7.3	8.0		H605-4310800	
22.0	32.0	10.0	11.0		H605-4311300	
22.4	30.0	5.0	5.7		H605-4611300	
25.0	33.0	5.0	5.7		H605-4610100	
25.0	33.0	5.7	6.3		H605-4305400	
25.0	33.0	6.0	7.0	RS 025-033/L2		
25.0	33.0	6.5	7.5	RS 025-033/L1		
25.0	33.0	6.7	7.7			UC 025-033-06.7 TTI/L

* For order processing, the computer code will be e.g. UC 014-024-07.3 RS/L, UC 010-015-03.6 H605

Rod U-Cup

(Metric Size)

Rod Dia.	Groove Dia.	Seal Height	Groove Width.	Reference	Reference	Reference
d	D	H	L			
25.0	33.0	6.8	7.5	RS 025-035/L	H605-4333500	UC 025-033-07 TTI/L
25.0	33.0	7.0	8.0		H605-4315200	
25.0	33.0	10.0	11.0		H605-4512000	
25.0	35.0	7.3	8.0		H605-4311400	
25.0	35.0	7.7	9.0			
25.0	35.0	10.0	11.0		H605-4310500	
25.0	37.0	10.0	11.0		H605-4379900	
25.0	40.0	10.0	11.0		H605-4322900	
26.0	36.0	7.0	8.0		H605-4459400	
28.0	35.5	5.0	5.7		H605-4611400	
28.0	38.0	7.3	8.0	RS 028-038/L	H605-4305500	
28.0	38.0	7.5	8.5			
28.0	43.0	11.4	12.5		H605-4399000	
30.0	38.0	6.3	7.0		H605-4402700	
30.0	40.0	6.0	7.0		H605-4610200	
30.0	40.0	6.5	7.5	RS 030-040/L1		UC 030-040-07 TTI/L
30.0	40.0	7.0	8.0			
30.0	40.0	7.3	8.0	RS 030-040/L		
30.0	40.0	10.0	11.0	H605-4304600		
30.0	42.0	10.9	12.0	H605-4383100		
30.0	50.0	10.0	11.0	RS 032-040/L	H605-4328500	UC 032-040-06.9 TTI/L
32.0	40.0	6.0	7.0			
32.0	40.0	6.7	7.7		H605-4310700	
32.0	40.0	6.9	7.9		H605-4334000	
32.0	40.0	7.7	9.0		H605-4315300	
32.0	41.5	7.9	8.9	RS 032-041.5/L		UC 032-041.5-07.9 TTI/L
32.0	42.0	5.7	6.3	H605-4334100		
32.0	42.0	5.7	6.3	H605-4360100		
32.0	42.0	6.0	7.0	H605-4616100		
32.0	42.0	7.3	8.0	H605-4374200		
32.0	42.0	10.0	11.0	H605-4305600		
32.0	47.0	9.1	10.0		H605-4329600	UC 035-043-07 TTI/L
32.0	47.0	10.0	11.0		H605-4338900	
32.0	48.0	10.0	11.0		H605-4492500	
35.0	43.0	6.3	7.0		H605-4402800	
35.0	43.0	7.0	8.0			
35.0	43.0	7.2	8.0	RS 035-043/L		
35.0	43.0	8.2	9.0			
35.0	45.0	6.0	7.0	H605-4309000		
35.0	45.0	7.7	9.0	H605-4611500		
35.0	45.0	10.0	11.0	H605-4314300		
35.0	50.0	9.0	10.0	RS 036-044/L	H605-4305700	UC 036-044-06.2 TTI/L
35.0	50.0	10.0	11.0			
36.0	44.0	6.2	7.2		H605-4611600	
36.0	44.0	6.3	7.0		H605-4322500	
36.0	44.0	6.4	7.5		H605-4373900	

* For order processing, the computer code will be e.g. UC 014-024-07.3 RS/L, UC 010-015-03.6 H605

Rod U-Cup

(Metric Size)

Rod Dia.	Groove Dia.	Seal Height	Groove Width.	Reference	Reference	Reference
d	D	H	L			
36.0	44.0	8.2	9.0	RS 036-046/L	H605-4395000	
36.0	46.0	5.7	6.3		H605-4372100	
36.0	46.0	7.3	8.0		H605-4304900	
36.0	46.0	7.5	8.5			
36.0	46.0	10.0	11.0		H605-4305000	
38.0	48.0	10.0	11.0	RS 040-049.5/L	H605-4515500	UC 040-048-08 TTI/AI
38.0	53.0	10.0	11.0		H605-4480900	
40.0	48.0	8.0	9.0			
40.0	48.0	8.2	9.0		H605-4396800	
40.0	49.5	9.5	10.5		H605-4334200	
40.0	50.0	6.0	7.0	RS 040-050/L	H605-4610300	UC 040-050-07 TTI/L
40.0	50.0	7.0	8.0			
40.0	50.0	7.3	8.0		H605-4311600	
40.0	50.0	10.0	11.0		H605-4293800	
40.0	52.0	10.9	12.0		H605-4381800	
40.0	55.0	9.0	10.0	RS 040-055/L	H605-4611700	UC 040-055-10 TTI/L
40.0	55.0	10.0	11.0		H605-4328300	
42.0	50.0	7.5	8.0	RS 042-050/L	H605-4373800	UC 042-050-11.5 TTI/L
42.0	50.0	11.5	12.5			
42.0	52.0	10.0	11.0		H605-4338200	
42.0	53.0	9.0	10.0	RS 042-053/L		UC 042-053-09 TTI/L
45.0	53.0	8.1	9.0	RS 045-053/L	H605-4402900	UC 045-053-11.5 TTI/L
45.0	53.0	11.5	12.5			
45.0	53.0	11.8	13.0		H605-4315600	
45.0	55.0	5.6	6.3		H605-4479700	
45.0	55.0	6.0	7.0	RS 045-055/L RS 045-057.7/L	H605-4610400	UC 045-055-11.5 TTI/L UC 045-057.7-09.5 TTI/L
45.0	55.0	7.3	8.0		H605-4305900	
45.0	55.0	10.0	11.0		H605-4302600	
45.0	55.0	11.5	12.5			
45.0	57.7	9.5	10.5		H605-4322800	
45.0	60.0	10.0	11.0	RS 048-056/L1 RS 048-056/L	H605-4315400	UC 048-056-11.5 TTI/L UC 048-056-12 TTI/L
45.0	65.0	10.0	11.0		H605-4315500	
48.0	56.0	11.5	12.5			
48.0	56.0	12.0	13.0			
48.0	60.0	10.0	11.0		H605-4432600	
50.0	57.0	9.0	10.0	RS 050-057/L RS 050-058/L	H605-4538600	UC 050-057-10 TTI/L UC 050-058-11.5 TTI/L
50.0	57.0	10.0	11.0			
50.0	58.0	11.5	12.5			
50.0	60.0	6.0	7.0		H605-4611800	
50.0	60.0	7.3	8.0		H605-4306000	
50.0	60.0	10.0	11.0	RS 050-062.7/L	H605-4304500	UC 050-060-10 TTI/AI UC 050-062-08 TTI/AI UC 050-062.7-08 TTI/L
50.0	60.0	11.8	13.0		H605-4314400	
50.0	62.0	8.0	9.0			
50.0	62.7	8.0	9.0			
50.0	62.7	9.5	10.5		H605-4334400	

* For order processing, the computer code will be e.g. UC 014-024-07.3 RS/L, UC 010-015-03.6 H605

Rod U-Cup

(Metric Size)

Rod Dia.	Groove Dia.	Seal Height	Groove Width.	Reference	Reference	Reference
d	D	H	L			
50.0	65.0	9.0	10.0	RS 050-065/L1	H605-4611900	UC 050-065-10 TTI/L
50.0	65.0	9.5	10.5		H605-4344000	
50.0	65.0	10.0	11.0			
50.0	65.0	10.9	12.0		H605-4291700	
50.0	65.0	14.5	16.0		H605-4381900	
50.0	65.0	15.5	16.5	RS 050-065/L	H605-4612000	UC 050-065-15.5 TTI/L
50.0	70.0	12.0	13.0	RS 050-070/L	H605-4371700	UC 050-070-14 TTI/L
50.0	70.0	14.0	15.0			
53.0	65.0	9.0	10.0	RS 055-062.5/L	H605-4306100	UC 055-062.5-09 TTI/L
55.0	62.5	9.0	10.0			
55.0	63.0	11.5	12.5			
55.0	65.0	6.0	7.0	RS 055-065/L1 RS 055-065/L	H605-4615600	UC 055-065-08.5 TTI/L UC 055-065-10 TTI/L
55.0	65.0	8.2	9.0		H605-4360400	
55.0	65.0	8.5	9.5			
55.0	65.0	10.0	11.0			
55.0	65.0	11.8	13.0			
55.0	70.0	9.0	10.0	RS 055-065/L1 RS 055-065/L	H605-4323400	UC 055-065-08.5 TTI/L UC 055-065-10 TTI/L
55.0	70.0	11.8	13.0		H605-4612100	
55.0	70.0	11.8	13.0		H605-4319200	
55.0	75.0	12.0	13.0		H605-4612200	
56.0	66.0	10.0	11.0		H605-4311800	
56.0	71.0	10.0	11.0	RS 057.1-066.7/L RS 057.1-069.8/L RS 058-068/L	H605-4311900	UC 057.1-066.7-09.5 TTI/L
56.0	71.0	11.4	12.5		H605-4306200	
57.1	66.7	9.5	10.5			
57.1	69.8	9.5	10.5			
58.0	68.0	11.5	12.5			
60.0	68.0	11.0	12.5	RS 060-068/L RS 060-070/L	H605-4538000	UC 060-068-11.5 TTI/L UC 060-070-11.5 TTI/L
60.0	68.0	11.5	12.5			
60.0	70.0	6.0	7.0		H605-4610500	
60.0	70.0	10.0	11.0		H605-4310600	
60.0	70.0	11.5	12.5			
60.0	70.0	11.8	13.0	RS 060-070/L1	H605-4306300	UC 060-070-12 TTI/L
60.0	70.0	12.0	13.0			
60.0	71.0	7.0	8.0		H605-4615700	
60.0	72.0	10.0	11.0		H605-4323500	
60.0	75.0	9.0	10.0		H605-4612300	
60.0	75.0	10.0	11.0	RS 060-075/L1 RS 060-075/L	H605-4378700	UC 060-075-10 TTI/L UC 060-075-15.5 TTI/L
60.0	75.0	11.8	13.0		H605-4306400	
60.0	75.0	15.5	16.5			
60.0	75.0	20.5	22.5		H605-4391800	
60.0	80.0	11.4	12.5		H605-4514300	
60.0	80.0	12.0	13.0	RS 063-075/L	H605-4612400	UC 063-075-07.7 TTI/L UC 063-075-10 TTI/L
63.0	73.0	6.0	7.0		H605-4612500	
63.0	73.0	11.8	13.0		H605-4312000	
63.0	75.0	7.7	8.7			
63.0	75.0	10.0	11.0			

* For order processing, the computer code will be e.g. UC 014-024-07.3 RS/L, UC 010-015-03.6 H605

Rod U-Cup

(Metric Size)

Rod Dia.	Groove Dia.	Seal Height	Groove Width.	Reference	Reference	Reference
d	D	H	L			
63.0	78.0	10.0	11.0		H605-4312100	
63.0	78.0	11.4	12.5		H605-4306500	
63.0	83.0	12.0	13.0			UC 063-083-12 TTI/AI
63.0	83.0	13.5	14.5	RS 063-083/L		UC 063-083-13.5 TTI/L
63.5	76.2	9.5	10.5	RS 063.5-076.2/L		UC 063.5-076.2-09.5 TTI/L
65.0	73.0	11.5	12.5	RS 065-073/L		UC 065-073-11.5 TTI/L
65.0	75.0	6.0	7.0		H605-4615900	
65.0	75.0	7.7	9.0		H605-4314500	
65.0	75.0	10.0	11.0	RS 065-075/L		UC 065-075-10 TTI/L
65.0	75.0	11.8	13.0		H605-4306600	
65.0	77.7	9.5	10.5	RS 065-077.7/L	H605-4334500	UC 065-077.7-09.5 TTI/L
65.0	78.0	10.0	11.0		H605-4616200	
65.0	80.0	9.0	10.0		H605-4612600	
65.0	80.0	11.8	13.0		H605-4312200	
65.0	85.0	12.0	13.0		H605-4612700	
66.0	80.0	10.0	11.0	RS 066-080/L		UC 066-080-10 TTI/L
67.0	77.0	6.0	7.0		H605-4612800	
67.0	75.0	11.5	12.5	RS 067-075/L		UC 067-075-11.5 TTI/L
69.8	82.5	9.5	10.5	RS 069.8-082.5/L		UC 069.8-082.5-09.5 TTI/L
70.0	77.5	9.0	10.0	RS 070-077.5/L		UC 070-077.5-09 TTI/L
70.0	78.0	11.5	12.5	RS 070-078/L		UC 070-078-11.5 TTI/L
70.0	79.0	13.0	14.0	RS 070-079/L		UC 070-079-13 TTI/L
70.0	80.0	6.0	7.0		H605-4615800	
70.0	80.0	11.5	12.5	RS 070-080/L		UC 070-080-11.5 TTI/L
70.0	80.0	11.8	13.0		H605-4312300	
70.0	80.0	12.0	13.0	RS 070-080/L1		UC 070-080-12 TTI/L
70.0	82.0	8.7	9.6		H605-4494700	
70.0	82.0	10.0	11.0		H605-4323600	
70.0	83.0	10.0	11.0		H605-4616400	
70.0	85.0	9.0	10.0		H605-4612900	
70.0	85.0	10.0	11.0		H605-4302700	
70.0	85.0	11.4	12.5		H605-4301200	
70.0	85.0	11.5	12.5	RS 070-085/L		UC 070-085-11.5 TTI/L
70.0	85.0	20.5	22.5		H605-4401400	
70.0	90.0	12.0	13.0	RS 070-090/L	H605-4613000	UC 070-090-12 TTI/L
73.0	82.4	7.0	7.8	RS 073-082.4/L		
75.0	83.0	11.5	12.5	RS 075-083/L		UC 075-083-11.5 TTI/L
75.0	85.0	8.5	9.5	RS 075-085/L1		UC 075-085-08.5 TTI/L
75.0	85.0	10.0	11.0	RS 075-085/L2		UC 075-085-10 TTI/L
75.0	85.0	11.5	12.5	RS 075-085/L		UC 075-085-11.5 TTI/L
75.0	85.0	11.8	13.0		H605-4312400	
75.0	88.0	10.0	11.0		H605-4616300	
75.0	90.0	9.0	10.0		H605-4613100	
75.0	95.0	12.0	13.0		H605-4613200	
76.2	88.9	9.5	10.5	RS 076.2-088.9/L		

* For order processing, the computer code will be e.g. UC 014-024-07.3 RS/L, UC 010-015-03.6 H605

Rod U-Cup

(Metric Size)

Rod Dia.	Groove Dia.	Seal Height	Groove Width.	Reference	Reference	Reference
d	D	H	L			
77.0	86.0	14.0	15.0	RS 077-086/L		UC 077-086-14 TTI/L
78.0	86.0	9.0	10.0		H605-4538700	
78.0	86.0	11.5	12.5	RS 078-086/L1		UC 078-086-11.5 TTI/L
78.0	86.0	13.5	14.5	RS 078-086/L		UC 078-086-13.5 TTI/L
78.0	88.0	12.0	13.0	RS 078-088/L		UC 078-088-12 TTI/L
78.0	90.0	12.0	13.0	RS 078-090/L		UC 078-090-12 TTI/L
79.4	88.9	9.5	10.5	RS 079.4-088.9/L		UC 079.4-088.9-09.5 TTI/L
80.0	88.0	11.5	12.5	RS 080-088/L		UC 080-088-11.5 TTI/L
80.0	90.0	6.0	7.0		H605-4616000	
80.0	90.0	10.0	11.0		H605-4390400	
80.0	90.0	11.8	13.0		H605-4312500	
80.0	92.0	8.7	9.6		H605-4494800	
80.0	93.0	10.0	11.0		H605-4615200	
80.0	95.0	9.0	10.0		H605-4613300	
80.0	95.0	10.0	11.0		H605-4383500	
80.0	95.0	11.8	13.0		H605-4306700	
80.0	100.0	12.0	13.0		H605-4613400	
80.0	100.0	14.5	16.0		H605-4382800	
80.0	110.0	16.4	18.0		H605-4342900	
82.5	97.5	12.0	13.0	RS 082.5-097.5/L		UC 082.5-097.5-12 TTI/L
85.0	92.5	9.0	10.0	RS 085-092.5/L		
85.0	93.0	10.0	11.0		H605-4392700	
85.0	93.0	11.0	12.5		H605-4537900	
85.0	93.0	11.5	12.5	RS 085-093/L		UC 085-093-11.5 TTI/L
85.0	100.0	9.0	10.0		H605-4610600	
85.0	100.0	10.0	11.0		H605-4615300	
85.0	100.0	11.8	13.0		H605-4306800	
85.0	105.0	12.0	13.0		H605-4613500	
88.9	101.6	9.5	10.5	RS 088.9-101.6/L		
90.0	98.0	11.5	12.5	RS 090-098/L		UC 090-098-11.5 TTI/L
90.0	100.0	6.8	7.5		H605-4493500	
90.0	100.0	9.0	10.0		H605-4366900	
90.0	100.0	11.5	12.5	RS 090-100/L		UC 090-100-11.5 TTI/L
90.0	100.0	11.8	13.0		H605-4314600	
90.0	102.0	8.7	9.6		H605-4333000	
90.0	105.0	9.0	10.0		H605-4613600	
90.0	105.0	10.0	11.0		H605-4615400	
90.0	105.0	11.4	12.5		H605-4306900	
90.0	105.0	11.5	12.5	RS 090-105/L		UC 090-105-11.5 TTI/L
90.0	110.0	12.0	13.0	RS 090-110/L		UC 090-110-12 TTI/L
93.0	101.0	11.5	12.5	RS 093-101/L		
95.0	103.0	11.5	12.5	RS 095-103/L		UC 095-103-11.5 TTI/L
95.0	105.0	8.7	9.5	RS 095-105/L1		UC 095-105-08.7 TTI/L
95.0	105.0	12.0	13.0	RS 095-105/L		UC 095-105-12 TTI/L
95.0	110.0	9.0	10.0		H605-4610700	

* For order processing, the computer code will be e.g. UC 014-024-07.3 RS/L, UC 010-015-03.6 H605

Rod U-Cup

(Metric Size)

Rod Dia.	Groove Dia.	Seal Height	Groove Width.	Reference	Reference	Reference
d	D	H	L			
95.0	110.0	10.0	11.0		H605-4615500	
95.0	115.0	12.0	13.0		H605-4613800	
96.0	104.0	10.9	12.0		H605-4380300	
97.0	105.0	11.5	12.5	RS 097-105/L1		UC 097-105-11.5 TTI/L
97.0	105.0	13.5	14.5	RS 097-105/L		UC 097-105-13.5 TTI/L
97.0	106.0	14.0	15.0	RS 097-106/L		UC 097-106-14 TTI/L
99.0	109.0	12.0	13.0	RS 099-109/L		UC 099-109-12 TTI/L
100.0	108.0	11.5	12.5	RS 100-108/L		UC 100-108-11.5 TTI/L
100.0	110.0	10.0	11.0	RS 100-110/L1		UC 100-110-10 TTI/L
100.0	110.0	10.9	12.0		H605-4461700	
100.0	110.0	11.5	12.5	RS 100-110/L		UC 100-110-11.5 TTI/L
100.0	115.0	9.0	10.0		H605-4610800	
100.0	115.0	11.8	13.0		H605-4312600	
100.0	120.0	11.8	13.0		H605-4312700	
100.0	120.0	14.5	16.0		H605-4307000	
105.0	113.0	10.0	11.0		H605-4392800	
105.0	113.0	11.5	12.5	RS 105-113/L1		UC 105-113-11.5 TTI/L
105.0	113.0	13.5	14.5	RS 105-113/L		UC 105-113-13.5 TTI/L
105.0	115.0	11.5	12.5	RS 105-115/L		UC 105-115-11.5 TTI/L
105.0	115.0	13.2	14.5		H605-4390500	
105.0	120.0	14.5	16.0		H605-4379500	
108.0	123.0	10.9	12.0		H605-4329100	
110.0	118.0	11.5	12.5	RS 110-118/L		UC 110-118-11.5 TTI/L
110.0	125.0	9.0	10.0		H605-4459700	
110.0	125.0	11.0	12.0		H605-4537800	
110.0	125.0	14.5	16.0		H605-4481600	
110.0	130.0	11.8	13.0		H605-4312800	
110.0	130.0	14.5	16.0		H605-4307100	
110.0	135.0	14.5	16.0		H605-4343000	
112.0	122.0	10.0	11.0	RS 112-122/L		UC 112-122-10 TTI/L
112.0	125.0	9.0	10.0		H605-4610900	
113.0	123.0	8.5	9.5			UC 113-123-08.5 TTI/L
113.0	123.0	8.7	9.5	RS 113-123/L1		
115.0	123.0	11.5	12.5	RS 115-123/L		UC 115-123-11.5 TTI/L
115.0	125.0	12.0	13.0	RS 115-125/L1		UC 115-125-12 TTI/L
115.0	125.0	14.0	15.0	RS 115-125/L		UC 115-125-14 TTI/L
115.0	130.0	9.0	10.0		H605-4459800	
115.0	130.0	10.0	11.0	RS 115-130/L		
115.0	130.0	10.9	12.0		H605-4434600	
115.0	130.0	14.5	16.0		H605-4342600	
117.0	126.0	14.0	15.0	RS 117-126/L		
118.0	126.0	11.5	12.5	RS 118-126/L1		UC 118-126-11.5 TTI/L
118.0	126.0	13.5	14.5	RS 118-126/L		UC 118-126-13.5 TTI/L
120.0	128.0	11.5	12.5	RS 120-128/L		UC 120-128-11.5 TTI/L
120.0	130.0	10.9	12.0		H605-4461800	

* For order processing, the computer code will be e.g. UC 014-024-07.3 RS/L, UC 010-015-03.6 H605

Rod U-Cup

(Metric Size)

Rod Dia.	Groove Dia.	Seal Height	Groove Width.	Reference	Reference	Reference
d	D	H	L			
120.0	130.0	11.5	12.5	RS 120-130/L		UC 120-130-11.5 TTI/L
120.0	130.0	12.0	13.0	RS 120-130/L1		UC 120-130-12 TTI/L
120.0	135.0	9.0	10.0		H605-4614000	
120.0	140.0	12.0	13.0		H605-4614100	
120.0	140.0	14.5	16.0		H605-4312900	
121.0	135.0	9.0	10.0	RS 121-135/L		
125.0	133.0	11.0	12.0		H605-4392900	
125.0	133.0	11.5	12.5	RS 125-133/L		
125.0	135.0	10.0	11.0	RS 125-135/L		UC 125-135-10 TTI/L
125.0	140.0	9.0	10.0		H605-4614200	
125.0	145.0	12.0	13.0		H605-4614300	
125.0	145.0	14.5	16.0		H605-4307300	
125.0	150.0	12.5	14.0		H605-4367000	
127.0	140.0	11.5	12.5	RS 127-140/L		UC 127-140-11.5 TTI/L
128.0	136.0	11.5	12.5	RS 128-136/L		UC 128-136-11.5 TTI/L
130.0	138.0	11.5	12.5	RS 130-138/L		UC 130-138-11.5 TTI/L
130.0	140.0	14.5	16.0		H605-4390600	
130.0	145.0	9.0	10.0		H605-4614400	
130.0	150.0	12.0	13.0		H605-4614500	
130.0	150.0	14.5	16.0		H605-4313000	
131.0	150.0	13.0	14.0	RS 131-150/L		
132.0	142.0	8.5	9.5			UC 132-142-08.5 TTI/L
132.0	142.0	8.7	9.5	RS 132-142/L1		
132.5	157.5	13.2	14.5		H605-4329400	
135.0	143.0	11.5	12.5	RS 135-143/L		UC 135-143-11.5 TTI/L
135.0	150.0	11.0	12.5		H605-4537700	
135.0	150.0	11.5	12.5	RS 135-150/L		UC 135-150-11.5 TTI/L
135.0	150.0	15.0	16.0	RS 135-150/L1		UC 135-150-15 TTI/L
137.0	146.0	14.0	15.0	RS 137-146/L		
140.0	148.0	11.5	12.5	RS 140-148/L		UC 140-148-11.5 TTI/L
140.0	150.0	10.9	12.0		H605-4461900	
140.0	150.0	11.5	12.5	RS 140-150/L		UC 140-150-11.5 TTI/L
140.0	155.0	9.0	10.0		H605-4614600	
140.0	155.0	11.8	13.0		H605-4555300	
140.0	160.0	11.8	13.0		H605-4313100	
140.0	160.0	14.5	16.0		H605-4307400	
141.0	151.0	12.0	13.0	RS 141-151/L		UC 141-151-12 TTI/L
143.0	151.0	11.5	12.5	RS 143-151/L1		UC 143-151-11.5 TTI/L
143.0	151.0	13.5	14.5	RS 143-151/L		UC 143-151-13.5 TTI/L
145.0	155.0	12.0	13.0	RS 145-155/L		UC 145-155-12 TTI/L
145.0	160.0	12.0	13.0	RS 145-160/L		UC 145-160-12 TTI/L
148.0	160.0	12.0	13.0	RS 148-160/L		
150.0	165.0	9.0	10.0		H605-4614700	
150.0	170.0	12.0	13.0		H605-4614800	
150.0	170.0	13.2	14.5		H605-4367100	

* For order processing, the computer code will be e.g. UC 014-024-07.3 RS/L, UC 010-015-03.6 H605

Rod U-Cup



(Metric Size)

Rod Dia.	Groove Dia.	Seal Height	Groove Width.	Reference	Reference	Reference
d	D	H	L			
150.0	170.0	14.5	16.5		H605-4342800	
151.0	159.0	9.0	10.0		H605-4538800	
152.0	160.0	11.5	12.5	RS 152-160/L		UC 152-160-11.5 TTI/L
152.0	162.0	10.0	11.0	RS 152-162/L		UC 152-162-10 TTI/L
152.0	171.0	11.5	12.5	RS 152-171/L		
152.5	160.5	14.0	15.0	RS 152.5-160.5/L		UC 152.5-160.5-14 TTI/L
155.0	163.0	11.5	12.5	RS 155-163/L		UC 155-163-11.5 TTI/L
155.0	170.0	14.5	16.0		H605-4342700	
160.0	168.0	11.5	12.5	RS 160-168/L		UC 160-168-11.5 TTI/L
160.0	170.0	11.5	12.5	RS 160-170/L		UC 160-170-11.5 TTI/L
160.0	175.0	9.0	10.0		H605-4614900	
160.0	175.0	10.9	12.0		H605-4462000	
160.0	180.0	12.0	13.0		H605-4615000	
160.0	180.0	14.5	16.0		H605-4345000	
162.0	172.0	12.0	13.0	RS 162-172/L		UC 162-172-12 TTI/L
165.0	184.0	13.0	14.0	RS 165-184/L		UC 165-184-13 TTI/L
170.0	178.0	11.5	12.5	RS 170-178/L		UC 170-178-11.5 TTI/L
170.0	180.0	12.0	13.0	RS 170-180/L		UC 170-180-12 TTI/L
170.0	190.0	14.5	16.0		H605-4398800	
171.0	179.0	11.5	12.5	RS 171-179/L		UC 171-179-11.5 TTI/L
175.0	185.0	12.0	13.0	RS 175-185/L		UC 175-185-12 TTI/L
177.0	205.0	19.0	20.0	RS 177-205/L		
180.0	188.0	13.5	14.5	RS 180-188/L		UC 180-188-13.5 TTI/L
180.0	190.0	10.0	11.0	RS 180-190/L		UC 180-190-10 TTI/L
180.0	195.0	12.5	13.5	RS 180-195/L		UC 180-195-12.5 TTI/L
180.0	200.0	11.8	13.0		H605-4314700	
180.0	200.0	14.5	16.0		H605-4560900	
185.0	193.0	11.5	12.5	RS 185-193/L		UC 185-193-11.5 TTI/L
185.0	200.0	10.9	12.0		H605-4462100	
200.0	208.0	11.5	12.5	RS 200-208/L		
200.0	220.0	12.0	13.0		H605-4615100	
200.0	220.0	14.5	16.0		H605-4380200	
205.0	220.0	12.2	13.5		H605-4522400	
205.0	220.0	12.5	13.5	RS 205-220/L		UC 205-220-12.5 TTI/L
209.0	228.0	13.0	14.0	RS 209-228/L		
212.0	220.0	13.5	14.5	RS 212-220/L		UC 212-220-13.5 TTI/L
220.0	240.0	14.5	16.0		H605-4555400	
232.0	246.0	12.0	13.0	RS 232-246/L		

* For order processing, the computer code will be e.g. UC 014-024-07.3 RS/L, UC 010-015-03.6 H605