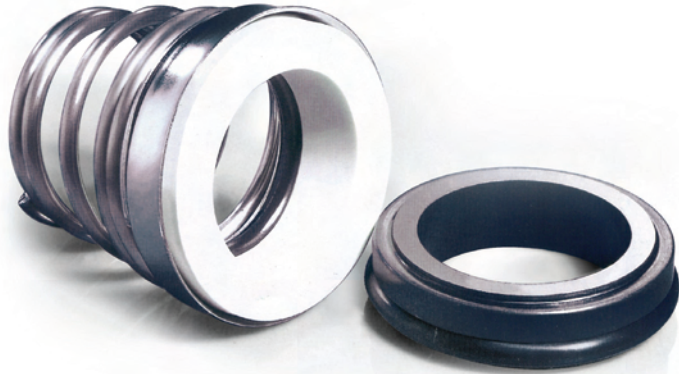


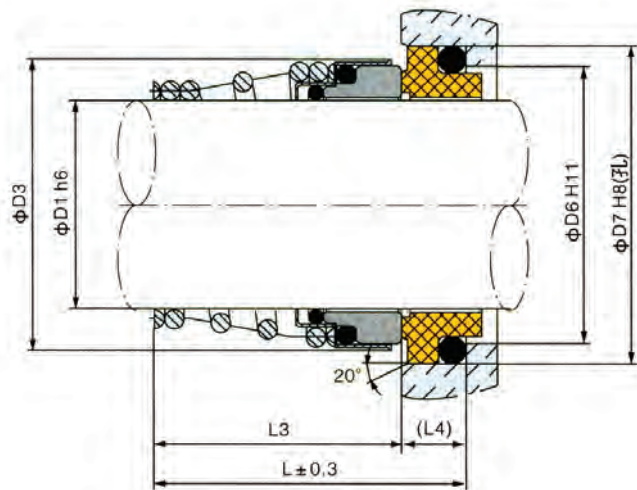
Mechanical seal

CM 155



Pressure (BAR)	Temp. (°c)	Speeds (m/s)
7	-20 +100°C	13

- Used in clean water pumps, circulation pumps.



Mechanical seal

CM 155

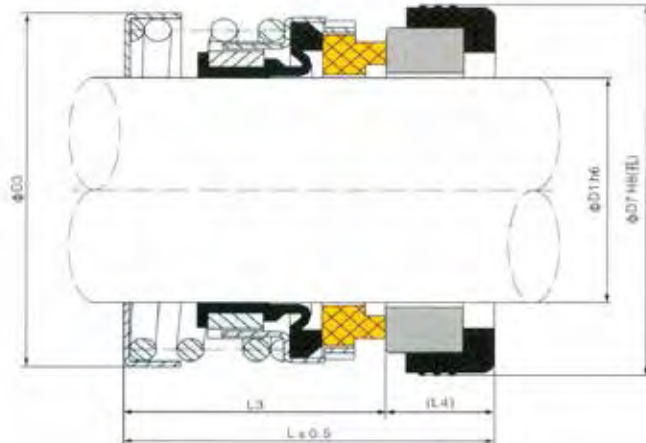
D1	D3	D6	D7	L	L3	L4	Reference
10	20.0	14.0	18.1	20.5	15	5.5	CM155-10
11	22.0	16.5	20.6	23.5	18	5.5	CM155-11
12	22.0	16.5	20.6	23.5	18	5.5	CM155-12
13	25.0	19.0	23.1	28.0	22	6.0	CM155-13
14	25.0	19.0	23.1	28.0	22	6.0	CM155-14
15	29.0	21.0	26.9	29.0	22	7.0	CM155-15
16	29.0	21.0	26.9	30.0	23	7.0	CM155-16
17	29.0	21.0	26.9	30.0	23	7.0	CM155-17
18	33.0	25.0	30.9	32.0	24	8.0	CM155-18
19	33.0	25.0	30.9	33.0	25	8.0	CM155-19
20	33.0	25.0	30.9	33.0	25	8.0	CM155-20
21	38.0	30.0	35.4	33.0	25	8.0	CM155-21
22	38.0	30.0	35.4	33.0	25	8.0	CM155-22
23	38.0	30.0	35.4	35.0	27	8.0	CM155-23
24	38.0	30.0	35.4	35.0	27	8.0	CM155-24
25	40.0	33.0	38.2	35.0	27	8.5	CM155-25
28	46.0	38.0	43.3	38.0	29	9.0	CM155-28
29	46.0	38.0	43.3	39.0	30	9.0	CM155-29
30	46.0	38.0	43.3	39.0	30	9.0	CM155-30
32	46.0	38.0	43.3	39.0	30	9.0	CM155-30
33	48.0	45.0	53.5	50.5	39	11.5	CM155-33
35	50.0	45.0	53.5	50.5	39	11.5	CM155-35
38	58.0	52.0	60.5	50.5	39	11.5	CM155-38
40	58.0	52.0	60.5	50.5	39	11.5	CM155-40

CM 560



Pressure (BAR)	Temp. (°C)	Speeds (m/s)
8	-40+150°C	10

- Used in auto-cooling pumps, centrifugal pumps, submersible pumps, and general industrial pumps.



CM 560

D1	D3	D7	L	L3	L4	Reference
8	17.5	21	18.9	13.9	5.0	CM560A-8
10	23.5	24	23.0	16.5	6.5	CM560A-10
11	23.5	24	23.0	16.5	6.5	CM560A-11
12	26.0	26	24.0	17.5	6.5	CM560A-12
14	28.0	28	25.0	18.0	7.0	CM560A-14
15	28.0	28	25.0	18.0	7.0	CM560A-15
16	30.0	32	27.0	20.0	7.0	CM560A-16
18	32.5	35	26.0	19.0	7.0	CM560A-18
19	32.5	35	26.0	18.0	8.0	CM560A-19
20	35.5	38	28.0	19.5	8.5	CM560A-20
22	37.5	40	28.0	20.0	8.0	CM560A-22
25	42.0	44	29.0	20.0	9.0	CM560A-25
28	45.5	46	30.0	21.0	9.0	CM560A-28
30	48.0	50	31.0	22.0	9.0	CM560A-30
32	50.0	54	33.0	24.0	9.0	CM560A-32
35	54.5	58	36.0	26.0	10.0	CM560A-35
38	58.5	60	37.0	27.0	10.0	CM560A-38
40	62.5	64	38.0	28.0	10.0	CM560A-40
45	66.5	66	40.0	30.0	10.0	CM560A-45
50	72.5	72	42.0	32.0	10.0	CM560A-50

D1	D3	D7	L	L3	L4	Reference
9.53		22.2	28.5	22.2	6.3	CM560B-3/8"
12.70	23.0	25.4	30.2	22.2	8.0	CM560B-1/2"
15.88	26.5	31.8	32.5	22.2	10.3	CM560B-5/8"
19.05	30.5	35.0	32.5	22.2	10.3	CM560B-3/4"
22.23	34.0	38.1	34.3	24.0	10.3	CM560B-7/8"
25.40	40.0	41.3	36.4	25.4	11.0	CM560B-1"
28.58	44.5	44.5	38.0	27.0	11.0	CM560B-1 1/8"
31.75	46.5	47.7	38.0	27.0	11.0	CM560B-1 1/4"
34.93	51.5	50.8	39.5	28.5	11.0	CM560B-1 3/8"
38.10	54.0	54.0	39.5	28.5	11.0	CM560B-1 1/2"
41.28	58.0	60.3	47.7	35.0	12.7	CM560B-1 5/8"
44.45	61.5	63.5	47.7	35.0	12.7	CM560B-1 3/4"
47.63	65.5	66.7	50.7	38.0	12.7	CM560B-1 7/8"
50.80	70.5	69.9	50.7	38.0	12.7	CM560B-2"
53.98	75.0	76.2	57.3	43.0	14.3	CM560B-2 1/8"
57.15	79.0	79.4	57.3	43.0	14.3	CM560B-2 1/4"
60.33	82.0	82.6	60.3	46.0	14.3	CM560B-2 3/8"
63.50	86.0	85.7	60.3	46.0	14.3	CM560B-2 1/2"
66.68	91.5	85.7	65.0	49.0	16.0	CM560B-2 5/8"
69.85	91.5	88.9	65.0	49.0	16.0	CM560B-2 3/4"
73.03	99.0	95.3	68.5	52.5	16.0	CM560B-2 7/8"
76.20	99.0	98.4	68.5	52.5	16.0	CM560B-3"

Mechanical seal

CM GF

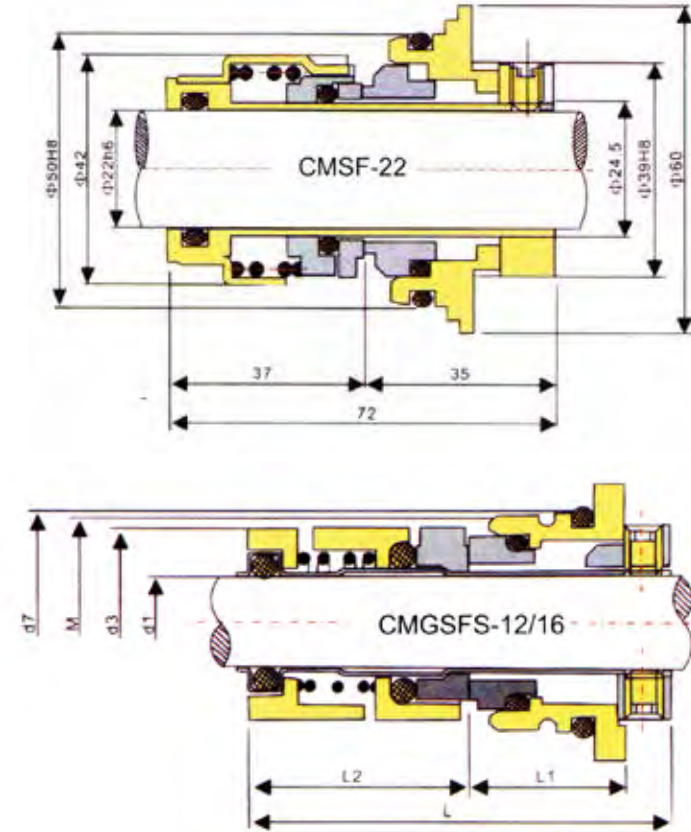


Pressure (BAR)	Temp. (°C)	Speeds (m/s)
-	-30 +180°C	-

- Mechanical seals used for stainless steel vertical multistage centrifugal pump. It is suitable for grundfos pump.

Mechanical seal

CM GF



d1 h6	d3	M	d7 H8	L	L1	L3	Reference
12	25.0	M28x1.5	29.0	55.0	19.0	30.0	GSF(A) 12 mm
16	30.5	M33x1.5	34.0	57.5	20.0	30.5	GSF(A) 16 mm
22	47.0	M33x1.5	50.0	72.0	20.0	30.0	GSF(A) 22 mm