

Wiper

8600

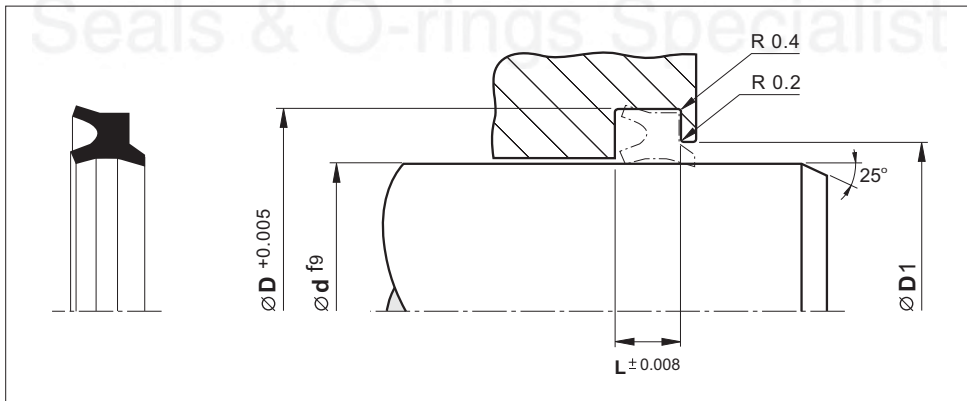
(Inch Size)



Material	Temp. (°c)	Speed (m/s)
NBR	-20 +80	1

- Easy installation in simple groove.
- High wear resistance.
- Low friction.
- Extended service life.

Installation Recommendation



Surface roughness	Ra	Rt
-------------------	----	----

Sliding surface	$\leq 0.3 \mu\text{m}$	$\leq 4 \mu\text{m}$
Surface of housing	$\leq 1.8 \mu\text{m}$	$\leq 10 \mu\text{m}$
Sides of housing	$\leq 3.0 \mu\text{m}$	$\leq 16 \mu\text{m}$

## Wiper - 8600

(Inch Size)

Rod Dia.	Bore Dia.	Groove Dia.	Groove Width	Reference (For order processing)
d	D	L	D1	
.375	.677	.203	.495	860000375
.500	.802	.203	.620	860000500
.625	.927	.203	.745	860000625
.688	.990	.203	.808	860000688
.750	1.052	.203	.870	860000750
.875	1.240	.218	1.010	860000875
1.000	1.365	.218	1.135	860001000
1.250	1.615	.218	1.385	860001250
1.375	1.740	.218	1.510	860001375
1.500	1.865	.218	1.635	860001500
1.750	2.115	.218	1.885	860001750
1.875	2.240	.218	2.010	860001875
2.000	2.365	.218	2.135	860002000
2.125	2.490	.218	2.260	860002125
2.188	2.683	.281	2.323	860002188
2.250	2.745	.281	2.385	860002250
2.500	2.995	.281	2.635	860002500
2.688	3.183	.281	2.823	860002688
2.938	3.433	.281	3.073	860002938
3.000	3.495	.281	3.135	860003000
3.250	3.745	.281	3.385	860003250
3.438	3.933	.281	3.573	860003438
3.500	3.995	.281	3.635	860003500
3.688	4.183	.281	3.823	860003688
4.000	4.495	.281	4.135	860004000
4.250	4.745	.281	4.385	860004250
4.438	4.933	.281	4.573	860004438
4.500	4.995	.281	4.635	860004500
5.000	5.495	.281	5.135	860005000
5.188	5.683	.281	5.323	860005188
5.500	5.995	.281	5.635	860005500
6.000	6.495	.281	6.135	860006000
6.750	7.245	.281	6.885	860006750
7.000	7.495	.281	7.135	860007000
7.750	8.245	.281	7.885	860007750
9.750	10.245	.281	9.885	860009750