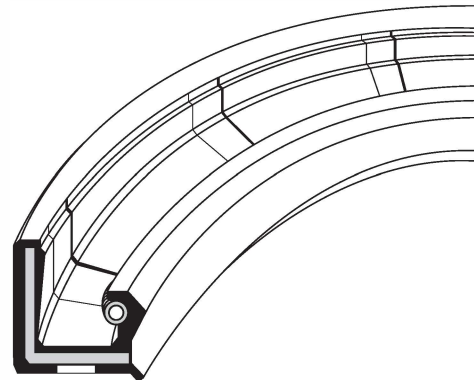


## Rotary Seal

### BABSL, GBP

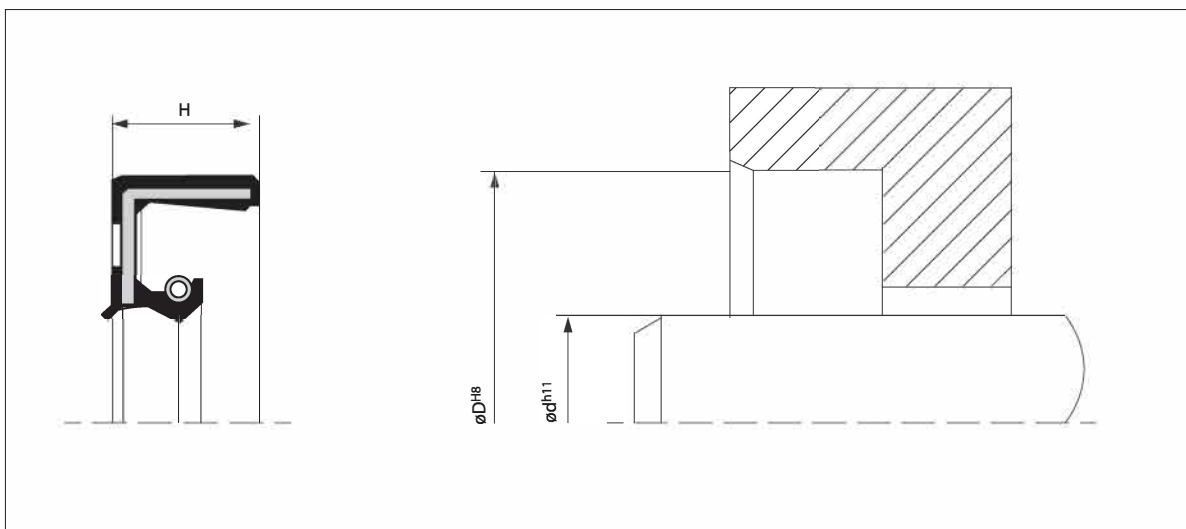


BABSL , GBP

TYPE	External	Temp. (° c)	Dimension	
			mm.	Inch.
BABSL, GBP	RUBBER COVERED	-30 +200	●	

- Good static sealing.
- Reduced risk of fretting corrosion.
- Up to 10 Bar pressure at moderate peripheral speed.
- Effective protection against contaminants.
- No need back-up ring.

#### Installation Recommendation



#### Surface roughness

#### Ra

#### Rt

Sliding surface

≤ 0.3 μm

≤ 2 μm

Surface of housing

≤ 1.8 μm

≤ 10 μm

Sides of housing

≤ 3.0 μm

≤ 16 μm