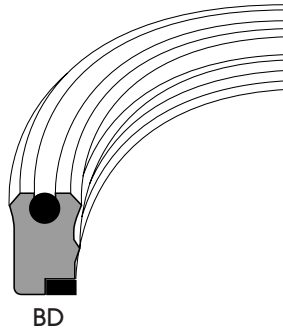


Rod Seals

BD

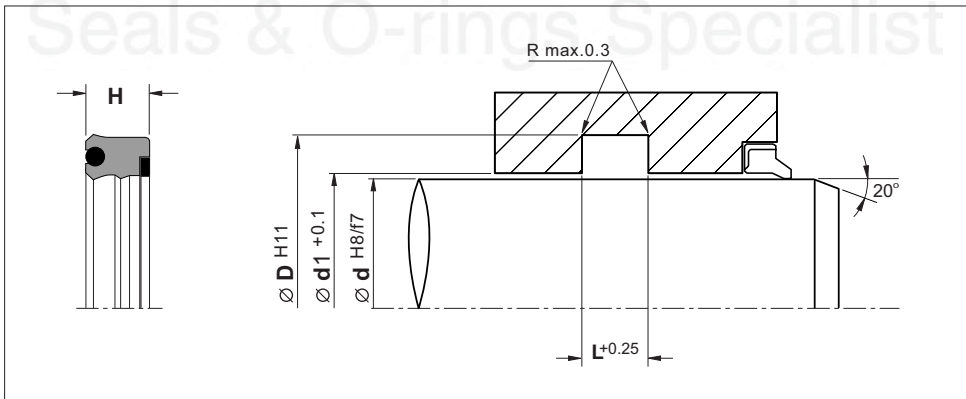
(Metric Size)



Material	Pressure (Bar)	Temp. (°c)	Speed (m/s)
PU-NBR-POM	500	-35 +110	0.5

- High wear resistance for high pressure applications.
- Sealing effect under low pressure guaranteed with dynamic expander ring.
- Special back up ring designed for dynamic applications aids extrusion resistance.

Installation Recommendation



Surface roughness	Ra	Rt
-------------------	----	----

Sliding surface	≤ 0.3 μm	≤ 4 μm
Surface of housing	≤ 1.8 μm	≤ 10 μm
Sides of housing	≤ 3.0 μm	≤ 16 μm

# Rod U-Cup - BD

(Metric Size)

Rod Dia.	Groove Dia.	Seal Height	Groove Width	Diameter	ISO 5597	Prefix No.	Reference (For order processing)
d	D	H	L	d1			
40.0	55.0	11.4	12.5	40.5	x	0040	UC 040-055-11.4 BD
50.0	65.0	11.4	12.5	50.5	x	0050	UC 050-065-11.4 BD
56.0	71.0	11.4	12.5	56.5		0056	UC 056-071-11.4 BD
60.0	75.0	11.4	12.5	60.5		0060	UC 060-075-11.4 BD
63.0	78.0	11.4	12.5	63.5		0063	UC 063-078-11.4 BD
65.0	80.0	11.4	12.5	65.5		0065	UC 065-080-11.4 BD
70.0	85.0	11.4	12.5	70.5	x	0070	UC 070-085-11.4 BD
75.0	90.0	11.4	12.5	75.5		0075	UC 075-090-11.4 BD
80.0	95.0	11.4	12.5	80.5	x	0080	UC 080-095-11.4 BD
85.0	100.0	11.4	12.5	85.5		0085	UC 085-100-11.4 BD
85.0	100.0	12.0	13.0	85.5		0086	UC 085-100-12 BD
90.0	105.0	11.4	12.5	90.5	x	0090	UC 090-105-11.4 BD
95.0	110.0	12.0	13.0	95.5		0092	UC 095-110-12 BD
100.0	115.0	12.0	13.0	100.5		0095	UC 100-115-12 BD
100.0	120.0	13.5	15.0	100.6		0099	UC 100-120-13.5 BD
100.0	120.0	14.5	16.0	100.6	x	0100	UC 100-120-14.5 BD
110.0	130.0	14.5	16.0	110.6	x	0110	UC 110-130-14.5 BD
120.0	140.0	14.5	16.0	120.6		0120	UC 120-140-14.5 BD
125.0	145.0	14.5	16.0	125.6	x	0125	UC 125-145-14.5 BD
130.0	150.0	14.5	16.0	130.6		0130	UC 130-150-14.5 BD
140.0	160.0	14.5	16.0	140.6	x	0140	UC 140-160-14.5 BD
150.0	170.0	14.5	16.0	150.6		0150	UC 150-170-14.5 BD
160.0	180.0	14.5	16.0	160.6		0160	UC 160-180-14.5 BD
170.0	190.0	14.5	16.0	170.6		0170	UC 170-190-14.5 BD
180.0	205.0	18.2	20.0	180.8	x	0180	UC 180-205-18.2 BD
190.0	215.0	18.2	20.0	190.8		0190	UC 190-215-18.2 BD
200.0	230.0	22.7	25.0	200.8	x	0200	UC 200-230-22.7 BD
220.0	250.0	22.7	25.0	220.8	x	0220	UC 220-250-22.7 BD
230.0	260.0	22.7	25.0	230.8		0230	UC 230-260-22.7 BD
240.0	270.0	22.7	25.0	240.8		0240	UC 240-270-22.7 BD