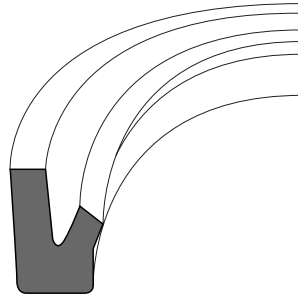


Rod Seals

C1

(Metric Size)

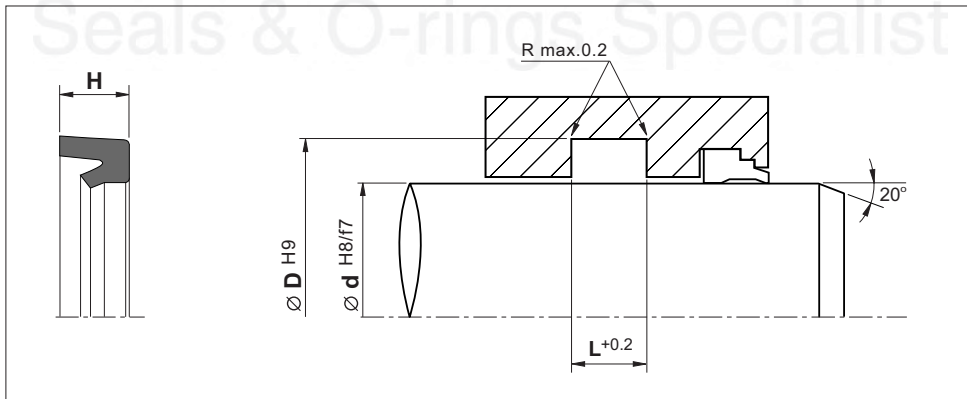


C1

Material	Pressure (Bar)	Temp. (°c)	Speed (m/s)
NBR	160	-35 +100	0.5

- Excellent sealing performance.
- Extremely low friction.
- Small seal housing designed.

Installation Recommendation



Surface roughness	Ra	Rt
-------------------	----	----

Sliding surface	≤ 0.3 µm	≤ 4 µm
Surface of housing	≤ 1.8 µm	≤ 10 µm
Sides of housing	≤ 3.0 µm	≤ 16 µm

# Rubber U-Cup - C1

(Metric Size)

Rod Dia.	Groove Dia.	Seal Height	Groove Width	Prefix No.	Reference
d	D	H	L		
2.0	7.0	3.5	4.0	0003	UC 002-007-03.5 C1
3.0	7.0	3.0	3.5	0005	UC 003-007-03 C1
3.0	9.0	4.5	5.0	0009	UC 003-009-04.5 C1
3.0	10.0	5.0	5.5	0011	UC 003-010-05 C1
4.0	8.0	3.0	3.5	0013	UC 004-008-03 C1
4.0	9.0	3.5	4.0	0016	UC 004-009-03.5 C1
4.0	10.0	4.2	4.7	0019	UC 004-010-04.2 C1
4.0	12.0	4.5	5.0	0022	UC 004-012-04.5 C1
4.0	12.0	5.5	6.0	0024	UC 004-012-05.5 C1
4.0	14.0	5.8	6.3	0028	UC 004-014-05.8 C1
4.5	8.0	3.0	3.5	0032	UC 004.5-008-03 C1
5.0	9.0	2.5	3.0	0035	UC 005-009-02.5 C1
5.0	10.0	4.0	4.5	0038	UC 005-010-04 C1
5.0	12.0	4.5	5.0	0041	UC 005-012-04.5 C1
6.0	10.0	3.0	3.5	0055	UC 006-010-03 C1
6.0	12.0	4.2	4.7	0058	UC 006-012-04.2 C1
6.0	13.0	5.0	5.5	0059	UC 006-013-05 C1
6.0	15.0	7.0	7.5	0062	UC 006-015-07 C1
6.0	16.0	5.0	5.5	0065	UC 006-016-05 C1
7.0	13.0	4.0	4.5	0070	UC 007-013-04 C1
8.0	14.0	4.0	4.5	0074	UC 008-014-04 C1
8.0	14.5	4.5	5.0	0077	UC 008-014.5-04.5 C1
8.0	16.0	5.5	6.0	0080	UC 008-016-05.5 C1
8.0	18.0	8.0	8.5	0083	UC 008-018-08 C1
9.0	14.0	3.5	4.0	0087	UC 009-014-03.5 C1
9.3	14.0	3.0	3.5	0090	UC 009.3-014-03 C1
9.5	18.5	7.0	7.5	0094	UC 009.5-018.5-07 C1
10.0	13.6	2.3	2.7	1002	UC 010-013.6-2.3 C1
10.0	15.0	3.5	4.0	1005	UC 010-015-03.5 C1
10.0	16.0	4.5	5.0	1008	UC 010-016-04.5 C1
10.0	16.0	6.0	6.5	1011	UC 010-016-06 C1
10.0	18.0	5.5	6.0	1015	UC 010-018-05.5 C1
10.0	20.0	7.0	7.5	1018	UC 010-020-07 C1
10.4	15.2	3.5	4.0	1020	UC 010.4-015.2-03.5 C1
11.0	17.0	4.0	4.5	1022	UC 011-017-04 C1
11.0	18.0	4.5	5.0	1025	UC 011-018-04.5 C1
12.0	18.5	4.5	5.0	1028	UC 012-018.5-4.5 C1
12.0	19.0	4.5	5.0	1030	UC 012-019-04.5 C1
12.0	20.0	5.5	6.0	1033	UC 012-020-05.5 C1
12.75	19.2	3.8	4.3	1035	UC 012.75-019.2-03.8 C1

\* For order processing, the computer code will be e.g. UC 002-007-03.5 C1

(Metric Size)

Rod Dia.	Groove Dia.	Seal Height	Groove Width	Prefix No.	Reference
d	D	H	L		
13.0	17.5	2.8	3.3	1036	UC 013-017.5-02.8 C1
13.8	22.0	5.5	6.0	1037	UC 013.8-022-05.5 C1
14.0	19.0	3.5	4.0	1039	UC 014-019-03.5 C1
14.0	20.0	4.8	5.3	1040	UC 014-020-04.8 C1
14.0	20.0	5.5	6.0	1041	UC 014-020-05.5 C1
14.0	25.0	8.0	8.5	1042	UC 014-025-08 C1
15.0	22.0	5.0	5.5	1044	UC 015-022-05 C1
15.8	24.0	5.5	6.0	1047	UC 015.8-024-05.5 C1
16.0	22.5	4.5	5.0	1049	UC 016-022.5-04.5 C1
16.0	23.0	5.5	6.0	1051	UC 016-023-05.5 C1
16.0	23.5	5.5	6.0	1052	UC 016-023.5-05.5 C1
16.0	24.0	5.5	6.0	1053	UC 016-024-05.5 C1
16.0	26.0	7.0	7.5	1056	UC 016-026-07 C1
16.0	27.0	7.5	8.0	1058	UC 016-027-07.5 C1
17.0	25.0	5.5	6.0	1060	UC 017-025-05.5 C1
18.0	25.0	4.5	5.0	1062	UC 018-025-04.5 C1
18.0	25.0	5.5	6.0	1063	UC 018-025-05.5 C1
18.0	26.0	5.5	6.0	1066	UC 018-026-05.5 C1
18.0	30.0	8.5	9.5	1070	UC 018-030-08.5 C1
18.5	25.5	5.5	6.0	1074	UC 018.5-025.5-05.5 C1
19.0	25.0	5.0	5.5	1079	UC 019-025-05 C1
20.0	26.0	4.0	4.5	2003	UC 020-026-04 C1
20.0	26.0	4.8	5.3	2005	UC 020-026-04.8 C1
20.0	28.0	5.5	6.0	2009	UC 020-028-05.5 C1
20.0	28.0	8.0	8.5	2013	UC 020-028-08 C1
20.0	30.0	7.0	7.5	2020	UC 020-030-07 C1
20.0	32.0	7.0	7.5	2022	UC 020-032-07 C1
22.0	29.0	5.5	6.0	2025	UC 022-029-05.5 C1
22.0	30.0	5.5	6.0	2029	UC 022-030-05.5 C1
22.0	32.0	7.0	7.5	2031	UC 022-032-07 C1
22.0	32.0	8.0	8.5	2030	UC 022-032-08 C1
22.0	34.0	8.5	9.5	2033	UC 022-034-08.5 C1
23.0	31.0	5.5	6.0	2038	UC 023-031-05.5 C1
24.0	32.0	5.5	6.0	2043	UC 024-032-05.5 C1
25.0	32.0	5.5	6.0	2053	UC 025-032-05.5 C1
25.0	33.0	5.5	6.0	2058	UC 025-033-05.5 C1
25.0	33.0	8.0	8.5	2061	UC 025-033-08 C1
25.0	35.0	6.0	6.5	2064	UC 025-035-06 C1
25.0	35.0	7.0	7.5	2065	UC 025-035-07 C1
25.0	36.0	8.0	8.5	2066	UC 025-036-08 C1

\* For order processing, the computer code will be  
e.g. UC 002-007-03.5 C1

# Rubber U-Cup - C1

(Metric Size)

Rod Dia.	Groove Dia.	Seal Height	Groove Width	Prefix No.	Reference
d	D	H	L		
25.0	37.0	8.5	9.5	2069	UC 025-037-08.5 C1
25.0	40.0	10.0	11.0	2075	UC 025-040-10 C1
26.0	36.0	7.0	7.5	2078	UC 026-036-07 C1
28.0	36.0	5.5	6.0	2085	UC 028-036-05.5 C1
28.0	38.0	7.0	7.5	2089	UC 028-038-07 C1
28.0	40.0	8.5	9.5	2095	UC 028-040-08.5 C1
30.0	38.0	5.5	6.0	3005	UC 030-038-05.5 C1
30.0	38.0	8.0	8.5	3010	UC 030-038-08 C1
30.0	40.0	7.0	7.5	3015	UC 030-040-07 C1
30.0	42.0	8.0	8.5	3019	UC 030-042-08 C1
30.0	42.0	8.5	9.5	3020	UC 030-042-08.5 C1
32.0	40.0	5.5	6.0	3025	UC 032-040-05.5 C1
32.0	42.0	7.0	7.5	3030	UC 032-042-07 C1
32.0	45.0	10.0	11.0	3032	UC 032-045-10 C1
33.0	43.0	7.0	7.5	3035	UC 033-043-07 C1
34.0	44.0	7.0	7.5	3040	UC 034-044-07 C1
35.0	43.0	8.0	8.5	3045	UC 035-043-08 C1
35.0	45.0	7.0	7.5	3050	UC 035-045-07 C1
36.0	46.0	7.0	7.5	3055	UC 036-046-07 C1
36.0	50.0	10.0	11.0	3057	UC 036-050-10 C1
37.0	47.0	7.0	7.5	3059	UC 037-047-07 C1
38.0	48.0	7.0	7.5	3060	UC 038-048-07 C1
40.0	48.0	5.5	6.0	4005	UC 040-048-05.5 C1
40.0	48.0	8.0	8.5	4010	UC 040-048-08 C1
40.0	50.0	7.0	7.5	4015	UC 040-050-07 C1
40.0	52.0	8.5	9.5	4020	UC 040-052-08.5 C1
42.0	52.0	7.0	7.5	4025	UC 042-052-07 C1
44.0	54.0	7.0	7.5	4030	UC 044-054-07 C1
45.0	55.0	7.0	7.5	4035	UC 045-055-07 C1
45.0	60.0	10.0	11.0	4040	UC 045-060 10 C1
46.0	56.0	7.0	7.5	4046	UC 046-056-07 C1
47.0	57.0	7.0	7.5	4055	UC 047-057-07 C1
48.0	58.0	7.0	7.5	4060	UC 048-058-07 C1
50.0	58.0	8.0	8.5	5005	UC 050-058-08 C1
50.0	60.0	7.0	7.5	5010	UC 050-060-07 C1
50.0	63.0	8.5	9.5	5015	UC 050-063-08.5 C1
50.0	63.0	12.0	13.0	5017	UC 050-063-12 C1
50.0	66.0	11.0	12.0	5020	UC 050-066-11 C1
54.0	64.0	7.0	7.5	5035	UC 054-064-07 C1
55.0	65.0	7.0	7.5	5040	UC 055-065-07 C1

\* For order processing, the computer code will be  
e.g. UC 002-007-03.5 C1

## Rubber U-Cup - C1

(Metric Size)

Rod Dia.	Groove Dia.	Seal Height	Groove Width	Prefix No.	Reference
d	D	H	L		
56.0	66.0	7.0	7.5	5043	UC 056-066-07 C1
56.0	70.0	12.0	13.0	5044	UC 056-070-12 C1
57.0	67.0	7.0	7.5	5053	UC 057-067-07 C1
58.0	68.0	7.0	7.5	5058	UC 058-068-07 C1
59.0	71.0	7.5	8.0	5085	UC 059-071-07.5 C1
60.0	72.0	8.5	9.5	6005	UC 060-072-08.5 C1
60.0	80.0	14.0	15.0	6010	UC 060-080-14 C1
63.0	73.0	7.0	7.5	6025	UC 063-073-07 C1
63.0	75.0	8.5	9.5	6035	UC 063-075-08.5 C1
63.0	80.0	16.0	17.0	6037	UC 063-080-16 C1
64.0	76.0	7.5	8.0	6040	UC 064-076-07.5 C1
65.0	77.0	8.5	9.5	6055	UC 065-077-08.5 C1
68.0	80.0	8.5	9.5	6070	UC 068-080-08.5 C1
70.0	82.0	8.5	9.5	7003	UC 070-082-08.5 C1
75.0	87.0	8.5	9.5	7020	UC 075-087-08.5 C1
75.0	95.0	14.0	15.0	7030	UC 075-095-14 C1
80.0	90.0	7.0	7.5	8010	UC 080-090-07 C1
80.0	92.0	7.5	8.0	8013	UC 080-092-07.5 C1
80.0	92.0	8.5	9.5	8015	UC 080-092-08.5 C1
80.0	100.0	14.0	15.0	8025	UC 080-100-14 C1
85.0	97.0	8.5	9.5	8040	UC 085-097-08.5 C1
85.0	100.0	10.0	11.0	8045	UC 085-100-10 C1
88.0	100.0	8.5	9.5	8070	UC 088-100-08.5 C1
90.0	102.0	8.5	9.5	9015	UC 090-102-08.5 C1
90.0	110.0	16.0	17.0	9018	UC 090-110-16 C1
95.0	107.0	8.5	9.5	9035	UC 095-107-08.5 C1
100.0	110.0	7.0	7.5	A010	UC 100-110-07 C1
100.0	115.0	10.0	11.0	A015	UC 100-115-10 C1
105.0	120.0	10.0	11.0	A051	UC 105-120-10 C1
105.0	125.0	12.0	13.0	A055	UC 105-125-12 C1
110.0	125.0	10.0	11.0	B015	UC 110-125-10 C1
110.0	130.0	14.0	15.0	B020	UC 110-130-14 C1
115.0	130.0	10.0	11.0	B040	UC 115-130-10 C1
115.0	135.0	14.0	15.0	B045	UC 115-135-14 C1
120.0	135.0	10.0	11.0	C015	UC 120-135-10 C1
120.0	140.0	14.0	15.0	C020	UC 120-140-14 C1
125.0	140.0	10.0	11.0	C035	UC 125-140-10 C1
125.0	145.0	12.0	13.0	C037	UC 125-145-12 C1
127.0	145.0	14.0	15.0	C045	UC 127-145-14 C1
128.0	148.0	14.0	15.0	C060	UC 128-148-14 C1

\* For order processing, the computer code will be  
e.g. UC 002-007-03.5 C1

# Rubber U-Cup - C1

(Metric Size)

Rod Dia.	Groove Dia.	Seal Height	Groove Width	Prefix No.	Reference
d	D	H	L		
130.0	145.0	10.0	11.0	D015	UC 130-145-10 C1
130.0	150.0	14.0	15.0	D020	UC 130-150-14 C1
135.0	150.0	10.0	11.0	D035	UC 135-150-10 C1
140.0	160.0	14.0	15.0	E015	UC 140-160-14 C1
142.0	157.0	10.0	11.0	E035	UC 142-157-10 C1
145.0	165.0	12.0	13.0	E049	UC 145-165-12 C1
145.0	165.0	13.0	14.0	E050	UC 145-165-13 C1
150.0	170.0	14.0	15.0	F020	UC 150-170-14 C1
154.0	176.0	15.5	16.5	F040	UC 154-176-15.5 C1
155.0	170.0	10.0	11.0	F053	UC 155-170-10 C1
155.0	175.0	14.0	15.0	F055	UC 155-175-14 C1
160.0	180.0	14.0	15.0	G015	UC 160-180-14 C1
160.0	184.0	15.0	16.0	G024	UC 160-184-15 C1
166.0	188.0	15.5	16.5	G040	UC 166-188-15.5 C1
170.0	190.0	14.0	15.0	H007	UC 170-190-14 C1
170.0	194.0	15.0	16.0	H010	UC 170-194-15 C1
180.0	200.0	14.0	15.0	J005	UC 180-200-14 C1
185.0	210.0	17.5	18.5	J025	UC 185-210-17.5 C1
185.0	215.0	20.0	21.0	J032	UC 185-215-20 C1
190.0	210.0	14.0	15.0	K010	UC 190-210-14 C1
200.0	220.0	14.0	15.0	L015	UC 200-220-14 C1
200.0	230.0	15.0	16.0	L025	UC 200-230-15 C1
210.0	230.0	14.0	15.0	L040	UC 210-230-14 C1
220.0	240.0	14.0	15.0	M015	UC 220-240-14 C1
220.0	250.0	20.0	21.0	M017	UC 220-250-20 C1
225.0	250.0	14.0	15.0	M020	UC 225-250-14 C1
235.0	265.0	21.0	22.0	M030	UC 235-265-21 C1
238.0	260.0	15.0	16.0	M039	UC 238-260-15 C1
240.0	270.0	20.0	21.0	N035	UC 240-270-20 C1
260.0	290.0	21.0	22.0	O010	UC 260-290-21 C1
280.0	310.0	20.0	21.0	O031	UC 280-310-20 C1
320.0	350.0	20.0	21.0	Q050	UC 320-350-20 C1

\* For order processing, the computer code will be  
e.g. UC 002-007-03.5 C1