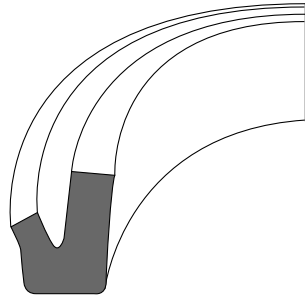


Piston Seals (Single Acting)

C2

(Metric & Imperial Size)

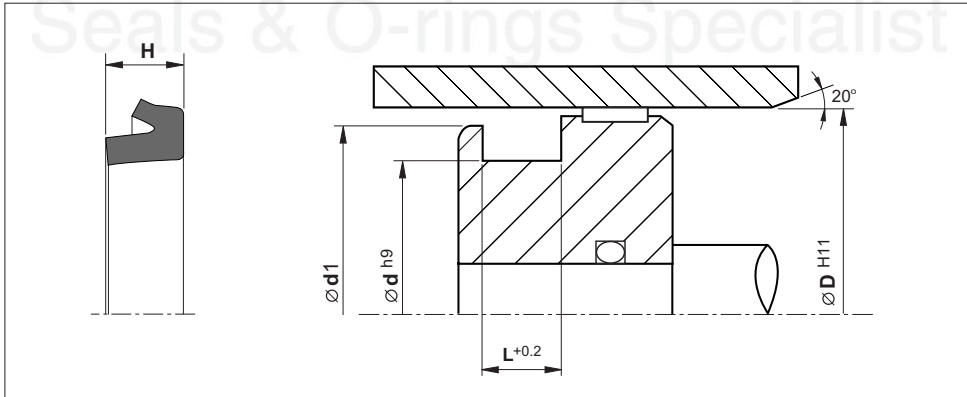


C2

Material	Pressure (Bar)	Temp. (°c)	Speed (m/s)
NBR	160	- 25 +100	0.5

- Excellent sealing performance.
- Extremely low friction.
- Small seal housing designed.

Installation Recommendation



Surface roughness	Ra	Rt
Sliding surface	≤ 0.3 mm	≤ 4 mm
Surface of housing	≤ 1.8 mm	≤ 10 mm
Sides of housing	≤ 3.0 mm	≤ 16 mm

Rubber U-Cup - C2

(Metric & Imperial Size)

Bore Dia.	Groove Dia.	Seal Height	Groove Width	Fitting Dia.	Prefix No.	Reference (For order processing)
D	d	H	L	d1		
4.0	1.5	1.7	2.0	3.0	0010	UC 001.5-004-01.7 C2
5.0	2.0	2.2	2.5	4.0	0014	UC 002-005-02.2 C2
6.0	2.5	2.0	2.3	4.5	0023	UC 002.5-006-02 C2
6.0	3.0	3.0	3.5	5.0	0025	UC 003-006-03 C2
7.5	4.0	2.0	2.3	6.0	0033	UC 004-007.5-02 C2
8.0	3.0	3.5	4.0	5.5	0035	UC 003-008-03.5 C2
8.0	5.0	4.0	4.5	7.0	0045	UC 005-008-04 C2
9.5	4.5	3.5	4.0	7.0	0065	UC 004.5-009.5-03.5 C2
10.0	3.0	4.0	4.5	6.5	1010	UC 003-010-04 C2
10.0	5.0	3.5	4.0	7.5	1020	UC 005-010-03.5 C2
10.0	6.0	4.2	4.7	8.0	1029	UC 006-010-04.2 C2
11.0	6.0	4.0	4.5	8.5	1035	UC 006-011-04 C2
12.0	6.0	4.0	4.5	9.0	1040	UC 006-012-04 C2
12.0	8.0	3.0	3.5	10.0	1045	UC 008-012-03 C2
13.0	7.0	4.0	4.5	10.0	1055	UC 007-013-04 C2
13.5	8.0	4.0	4.5	11.0	1058	UC 008-013.5-04 C2
14.0	6.0	5.5	6.0	10.0	1063	UC 006-014-05.5 C2
14.0	8.0	4.0	4.5	11.0	1066	UC 008-014-04 C2
15.0	7.0	5.5	6.0	11.0	1070	UC 007-015-05.5 C2
15.7	10.0	4.0	4.5	12.5	1073	UC 010-015.7-04 C2
16.0	8.0	5.5	6.0	12.0	1080	UC 008-016-05.5 C2
16.0	10.0	4.0	4.5	13.0	1083	UC 010-016-04 C2
16.0	10.0	6.0	6.5	13.0	1086	UC 010-016-06 C2
17.5	11.7	3.0	3.5	14.8	1088	UC 011.7-017.5-03 C2
18.0	10.0	5.5	6.0	14.0	1092	UC 010-018-05.5 C2
19.05	10.5	5.5	6.0	14.0	1097	UC 010.5-019.05-05.5 C2
20.0	10.0	7.0	7.5	15.0	2005	UC 010-020-07 C2
20.0	12.0	5.5	6.0	16.0	2010	UC 012-020-05.5 C2
20.0	14.0	4.2	4.7	17.0	2012	UC 014-020-04.2 C2
22.0	14.0	5.5	6.0	18.0	2020	UC 014-022-05.5 C2
24.0	16.0	5.5	6.0	20.0	2030	UC 016-024-05.5 C2
25.0	17.0	5.5	6.0	21.0	2040	UC 017-025-05.5 C2
26.0	18.0	5.5	6.0	22.0	2050	UC 018-026-05.5 C2
28.0	18.0	8.0	8.5	23.0	2060	UC 018-028-08 C2
28.0	20.0	5.5	6.0	24.0	2065	UC 020-028-05.5 C2
30.0	16.0	10.0	11.0	23.0	3005	UC 016-030-10 C2
30.0	18.0	8.0	8.5	24.0	3010	UC 018-030-08 C2
30.0	20.0	7.0	7.5	25.0	3015	UC 020-030-07 C2
30.0	22.0	5.5	6.0	26.0	3018	UC 022-030-05.5 C2
32.0	22.0	5.0	5.5	27.0	3025	UC 022-032-05 C2
32.0	22.0	7.0	7.5	27.0	3030	UC 022-032-07 C2
32.0	24.0	5.5	6.0	28.0	3035	UC 024-032-05.5 C2
32.0	25.6	4.3	4.8	29.0	3038	UC 025.6-032-04.3 C2
35.0	25.0	7.0	7.5	30.0	3050	UC 025-035-07 C2
36.0	26.0	7.0	7.5	31.0	3055	UC 026-036-07 C2

Rubber U-Cup - C2

(Metric & Imperial Size)

Bore Dia.	Groove Dia.	Seal Height	Groove Width	Fitting Dia.	Prefix No.	Reference (For order processing)
D	d	H	L	d1		
37.0	21.0	12.0	13.0	29.0	3060	UC 021-037-12 C2
37.0	29.0	5.5	6.0	33.0	3063	UC 029-037-05.5 C2
38.0	28.0	7.0	7.5	33.0	3065	UC 028-038-07 C2
39.69	26.99	6.35	6.85	33.5	3093	UC 026.99-039.69-06.35 C2
40.0	30.0	7.0	7.5	35.0	4005	UC 030-040-07 C2
40.0	32.0	5.5	6.0	36.0	4010	UC 032-040-05.5 C2
45.0	29.0	12.0	13.0	40.0	4029	UC 029-045-12 C2
45.0	35.0	7.0	7.5	40.0	4035	UC 035-045-07 C2
46.0	36.0	7.0	7.5	41.0	4045	UC 036-046-07 C2
45.0	37.0	6.0	6.5	41.0	4047	UC 037-045-06 C2
48.0	40.0	5.5	6.0	44.0	4065	UC 040-048-05.5 C2
50.0	36.0	10.0	11.0	43.0	5005	UC 036-050-10 C2
50.0	40.0	7.0	7.5	45.0	5010	UC 040-050-07 C2
50.0	42.0	8.0	8.5	46.0	5012	UC 042-050-08 C2
50.8	41.28	7.93	8.43	51.0	5016	UC 041.28-050.8-07.93 C2
52.0	36.0	12.0	13.0	44.0	5020	UC 036-052-12 C2
52.0	42.0	7.0	7.5	48.0	5025	UC 042-052-07 C2
55.0	45.0	7.0	7.5	50.0	5045	UC 045-055-07 C2
60.0	40.0	12.0	13.0	50.0	6005	UC 040-060-12 C2
60.0	50.0	7.0	7.5	55.0	6010	UC 050-060-07 C2
60.0	50.0	10.0	11.0	55.0	6011	UC 050-060-10 C2
62.0	46.0	12.0	13.0	52.0	6020	UC 046-062-12 C2
62.0	47.0	10.0	11.0	51.5	6023	UC 047-062-10 C2
62.0	52.0	7.0	7.5	57.0	6028	UC 052-062-07 C2
63.0	45.0	12.0	13.0	54.0	6040	UC 045-063-12 C2
63.0	53.0	7.0	7.5	58.0	6035	UC 053-063-07.0 C2
65.0	49.0	12.0	13.0	57.0	6045	UC 049-065-12 C2
65.0	53.0	10.0	11.0	59.0	6050	UC 053-065-10 C2
65.0	55.0	7.0	7.5	60.0	6055	UC 055-065-07 C2
67.0	57.0	7.0	7.5	62.0	6063	UC 057-067-07 C2
68.0	48.0	14.0	15.0	58.0	6065	UC 048-068-14 C2
68.0	58.0	7.0	7.5	63.0	6070	UC 058-068-07 C2
70.0	50.0	14.0	15.0	60.0	7005	UC 050-070-14 C2
70.0	54.0	12.0	13.0	62.0	7010	UC 054-070-12 C2
70.0	58.0	8.5	9.5	64.0	7020	UC 058-070-08.5 C2
74.0	62.0	8.5	9.5	68.0	7035	UC 062-074-08.5 C2
75.0	55.0	12.0	13.0	65.0	7045	UC 055-075-12 C2
75.0	59.0	12.0	13.0	67.0	7047	UC 059-075-12 C2
75.0	63.0	8.5	9.5	69.0	7050	UC 063-075-08.5 C2
80.0	60.0	14.0	15.0	70.0	8005	UC 060-080-14 C2
80.0	63.0	16.0	17.0	71.5	8008	UC 063-080-16 C2
80.0	64.0	8.0	8.5	72.0	8011	UC 064-080-08 C2
80.0	68.0	8.5	9.5	74.0	8015	UC 068-080-08.5 C2
85.0	73.0	8.5	9.5	79.0	8045	UC 073-085-08.5 C2
90.0	70.0	12.0	13.0	80.0	9015	UC 070-090-12 C2

Rubber U-Cup - C2

(Metric & Imperial Size)

Bore Dia.	Groove Dia.	Seal Height	Groove Width	Fitting Dia.	Prefix No.	Reference (Fo order processing)
D	d	H	L	d1		
90.0	78.0	8.5	9.5	84.0	9025	UC 078-090-08.5 C2
98.43	85.73	9.52	10.32	92.0	9085	UC 085.73-098.43-09.52 C2
100.0	80.0	15.0	16.0	90.0	A010	UC 080-100-15 C2
100.0	85.0	9.5	10.5	92.5	A014	UC 085-100-09.5 C2
100.0	85.0	12.0	13.0	92.5	A015	UC 085-100-12 C2
100.0	88.0	8.5	9.5	94.0	A020	UC 088-100-08.5 C2
100.0	90.0	7.0	7.5	95.0	A025	UC 090-100-07 C2
105.0	85.0	15.0	16.0	95.0	A040	UC 085-105-15 C2
110.0	95.0	10.0	11.0	102.5	B010	UC 095-110-10 C2
115.0	95.0	14.0	15.0	105.0	B015	UC 095-115-14 C2
120.0	100.0	15.0	16.0	110.0	C015	UC 100-120-15 C2
120.0	105.0	10.0	11.0	112.5	C017	UC 105-120-10 C2
125.0	105.0	16.0	17.0	115.0	C024	UC 105-125-16 C2
125.0	110.0	10.0	11.0	117.5	C025	UC 110-125-10 C2
130.0	115.0	10.0	11.0	122.5	D010	UC 115-130-10 C2
135.0	115.0	14.0	15.0	125.0	D020	UC 115-135-14 C2
136.0	116.0	14.0	15.0	126.0	D025	UC 116-136-14 C2
140.0	115.0	18.0	19.0	127.5	E010	UC 115-140-18 C2
140.0	120.0	14.0	15.0	130.0	E015	UC 120-140-14 C2
140.0	125.0	10.0	11.0	132.5	E020	UC 125-140-10 C2
145.0	130.0	10.0	11.0	137.5	E040	UC 130-145-10 C2
150.0	135.0	10.0	11.0	142.5	F015	UC 135-150-10 C2
155.0	130.0	18.0	19.0	142.5	F025	UC 130-155-18 C2
155.0	135.0	15.0	16.0	145.0	F030	UC 135-155-15 C2
160.0	130.0	25.0	26.0	145.0	G011	UC 130-160-25 C2
160.0	140.0	14.0	15.0	150.0	G015	UC 140-160-14 C2
160.0	145.0	10.0	11.0	152.5	G020	UC 145-160-10 C2
175.0	145.0	18.0	19.0	160.0	H010	UC 145-175-18 C2
175.0	155.0	14.0	15.0	165.0	H020	UC 155-175-14 C2
180.0	150.0	25.0	26.0	165.0	J012	UC 150-180-25 C2
180.0	160.0	14.0	15.0	170.0	J015	UC 160-180-14 C2
190.0	170.0	14.0	15.0	180.0	K015	UC 170-190-14 C2
200.0	170.0	25.0	26.0	185.0	L009	UC 170-200-25 C2
200.0	180.0	14.0	15.0	190.0	L015	UC 180-200-14 C2
220.0	200.0	14.0	15.0	210.0	M015	UC 200-220-14 C2
225.0	200.0	17.5	18.5	212.5	M025	UC 200-225-17.5 C2
240.0	220.0	14.0	15.0	230.0	N015	UC 220-240-14 C2
250.0	230.0	14.0	15.0	240.0	N030	UC 230-250-14 C2
260.0	240.0	14.0	15.0	250.0	O015	UC 240-260-14 C2
280.0	260.0	14.0	15.0	270.0	P015	UC 260-280-14 C2
300.0	280.0	15.0	16.0	290.0	Q010	UC 280-300-15 C2
315.0	290.0	17.0	18.0	302.5	Q020	UC 290-315-17 C2
350.0	320.0	21.0	22.0	335.0	Q030	UC 320-350-21 C2