

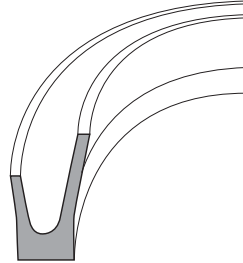
Wipers

CSWM

(Metric Size)

CSW

(Imperial Size)

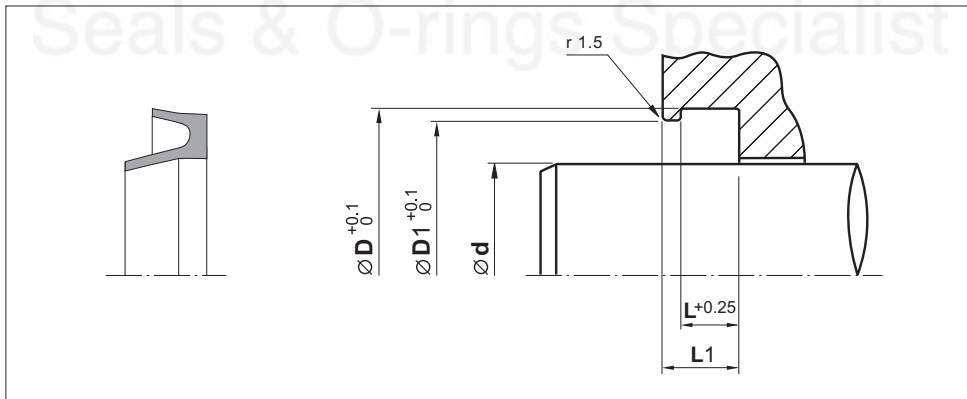


CSWM, CSW

Material	Temp. (°c)	Speed (m/s)
Hytrek	-30 +120	1

- Excellent scraping type.
- High wear resistance.
- Space saving construction.

Installation Recommendation



Surface roughness

Ra

Rt

Sliding surface

$\leq 0.3 \mu\text{m}$

$\leq 4 \mu\text{m}$

Surface of housing

$\leq 1.8 \mu\text{m}$

$\leq 10 \mu\text{m}$

Sides of housing

$\leq 3.0 \mu\text{m}$

$\leq 16 \mu\text{m}$

Wiper - CSWM, CSW



(Metric Size)

Rod Dia.	Groove Dia.	Groove Width	Part Width	Bore Dia.	Reference (For order processing)
d	D	L	L1	D1	
16.0	26.0	4.5	6.5	24.5	CSWM-016 016-026-4.5
18.0	28.0	4.5	6.5	26.5	CSWM-018 018-028-4.5
20.0	33.0	6.0	8.5	31.5	CSWM-020 020-033-6
22.0	35.0	6.0	8.5	33.5	CSWM-022 022-035-6
25.0	38.0	6.0	8.5	36.5	CSWM-025 025-038-6
28.0	41.0	6.0	8.5	39.5	CSWM-028 028-041-6
30.0	43.0	6.0	8.5	41.5	CSWM-030 030-043-6
32.0	45.0	6.0	8.5	43.5	CSWM-032 032-045-6
36.0	49.0	6.0	8.5	47.5	CSWM-036 036-049-6
40.0	53.0	6.0	8.5	51.5	CSWM-040 040-053-6
45.0	58.0	6.0	8.5	56.5	CSWM-045 045-058-6
50.0	63.0	6.0	8.5	61.5	CSWM-050 050-063-6
55.0	68.0	6.0	8.5	66.5	CSWM-055 055-068-6
56.0	69.0	6.0	8.5	67.5	CSWM-056 056-069-6
60.0	73.0	6.0	8.5	71.5	CSWM-060 060-073-6
63.0	76.0	6.0	8.5	74.5	CSWM-063 063-076-6
70.0	83.0	6.0	8.5	81.5	CSWM-070 070-083-6
80.0	93.0	6.0	8.5	91.5	CSWM-080 080-093-6
90.0	103.0	6.0	8.5	101.5	CSWM-090 090-103-6
100.0	113.0	6.0	8.5	111.5	CSWM-100 100-113-6

(Imperial Size)

Rod Dia.	Groove Dia.	Groove Width	Part Width	Bore Dia.	Reference (For order processing)
d	D	L	L1	D1	
12.70	22.22	4.36	6.35	20.63	CSW-050 12.7-22.22-4.36
15.87	25.40	4.36	6.35	23.82	CSW-062 15.87-25.4-4.36
19.05	31.75	5.94	8.76	30.15	CSW-075 19.05-31.75-5.94
22.22	34.92	5.94	8.76	33.33	CSW-087 22.22-34.92-5.94
25.40	38.10	5.94	8.76	36.50	CSW-100 25.4-38.1-5.94
28.57	41.27	5.94	8.76	39.67	CSW-112 28.57-41.27-5.94
31.75	44.45	5.94	8.76	42.85	CSW-125 31.75-44.45-5.94
34.92	47.62	5.94	8.76	46.02	CSW-137 34.92-47.62-5.94
38.10	50.80	5.94	8.76	49.20	CSW-150 38.1-50.8-5.94
41.27	53.97	5.94	8.76	52.37	CSW-162 41.27-53.97-5.94
44.45	57.15	5.94	8.76	55.55	CSW-175 44.45-57.15-5.94
50.80	63.50	5.94	8.76	61.90	CSW-200 50.8-63.5-5.94
57.15	69.85	5.94	8.76	68.25	CSW-225 57.15-69.85-5.94
63.50	76.20	5.94	8.76	74.60	CSW-250 63.5-76.2-5.94
69.85	82.55	5.94	8.76	80.95	CSW-275 69.85-82.55-5.94
76.20	88.90	5.94	8.76	87.30	CSW-300 76.2-88.9-5.94
82.55	95.25	5.94	8.76	93.65	CSW-325 82.55-95.25-5.94
88.90	101.60	5.94	8.76	100.00	CSW-350 88.9-101.6-5.94
101.60	114.30	5.94	8.76	111.12	CSW-400 101.6-114.3-5.94