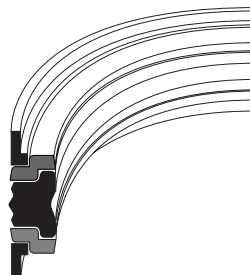


Piston Seals (Double Acting)

DAS

(Imperial Size)

(Size list on page 22)

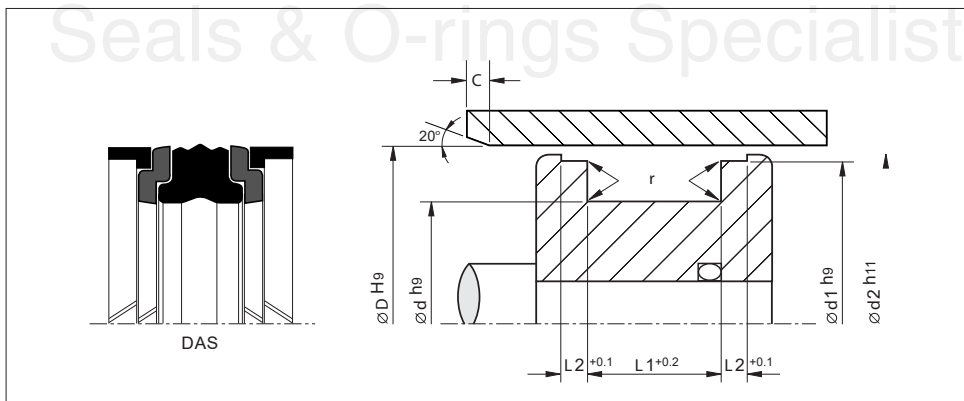


DAS

Material	Pressure (Bar)	Temp. (°c)	Speed (m/s)
NBR-Polyester-POM	350	-30 +120	0.5

- Very compact design
- Easy assembly in one piece piston
- High wear resistance.
- Long life

Installation Recommendation



Surface roughness

Sliding surface

Surface of housing

Sides of housing

Ra

≤ 0.3 μm

≤ 1.8 μm

≤ 3.0 μm

Rt

≤ 4 μm

≤ 10 μm

≤ 16 μm

Chamfers

D

< 60

60-120

120-180

180-230

C

4.0

5.0

6.5

7.5

(Imperial Size)

Bore Dia.	Groove Dimensions						Reference	Reference	Reference
	D	d	L1	L2	d1	d2			
25.40	17.45	8.71	3.17	21.06	23.80	0.40			H65-2221210
25.40	17.45	8.41	3.08	21.06	23.80	0.40		SPS 100-068	
26.97	19.05	7.92	1.47	22.86	26.36	0.40		SPS 106-075	
31.75	23.80	8.71	3.17	27.41	30.15	0.40			H65-2221310
31.75	23.80	8.41	3.08	27.41	30.15	0.40		SPS 125-094	
38.10	28.58	11.10	3.71	33.63	36.50	0.40			H65-2219610
44.45	28.57	19.05	6.35	39.87	43.12	0.40	DAS 1750-1125	SPS 150-112	
44.45	34.92	10.80	3.71	39.98	42.85	0.40		SPS 175-137	
44.45	34.92	12.45	6.13	41.60	43.44	0.40		SPS 175-137/1	
50.80	34.92	19.05	6.35	46.23	49.48	0.40	DAS 2000-1375	SPS 200-137	H53-6593410
50.80	41.28	11.10	3.81	46.28	49.20	0.40	DAS 2000-1625	SPS 200-162	H65-2224010
50.80	41.28	12.15	6.13	47.95	49.78	0.40		SPS 200-162/1	
53.97	38.10	19.05	6.35	49.40	52.70	0.40	DAS 2125-1500		
57.15	41.27	19.05	6.35	52.55	55.80	0.40		SPS 225-162	H53-6593510
57.15	47.63	11.10	3.81	52.71	55.55	0.40			H65-2221110
60.33	44.45	19.05	6.35	55.73	58.98	0.40	DAS 2375-1750	SPS 237-175	
60.33	50.80	10.80	3.71	55.75	58.72	0.40		SPS 237-200	
63.50	47.62	19.05	6.35	58.90	62.12	0.40	DAS 2500-1875	SPS 250-187	H53-6593610
63.50	50.80	16.21	6.13	58.93	62.48	0.40		SPS 250-200	
63.50	53.98	11.10	3.81	59.05	61.90	0.40		SPS 250-212	H65-2224110
63.50	53.97	11.10	5.80	59.00	62.12	0.40	DAS 2500-2125		
66.67	50.80	19.05	6.35	62.10	65.27	0.40	DAS 2625-2000		
69.85	50.80	23.80	6.35	64.06	68.20	0.40		SPS 275-200	H53-6593710
69.85	57.15	16.51	6.35	65.28	68.84	0.40		SPS 275-225	
69.85	60.33	11.10	3.81	65.41	68.25	0.40		SPS 275-237	H65-2219510
76.20	57.15	23.79	6.35	70.40	74.50	0.40	DAS 3000-2250	SPS 300-225	H53-1377612
76.20	60.32	19.39	6.13	70.41	75.18	0.40		SPS 300-237	
76.20	66.68	11.10	3.81	71.76	74.60	0.40		SPS 300-262	H65-2224210
82.55	63.50	23.80	6.35	76.78	81.03	0.40		SPS 325-250	H53-6593910
82.55	66.67	19.68	6.13	76.73	80.87	0.40		SPS 325-262	
82.55	73.03	11.10	3.81	78.11	80.95	0.40		SPS 325-287	H65-2219710
88.90	69.85	23.79	6.35	83.08	87.22	0.40	DAS 3500-2750	SPS 350-275	H53-0082412
88.90	72.39	19.68	7.37	83.08	87.88	0.40		SPS 350-285	
88.90	76.20	14.28	5.33	83.06	87.30	0.40		SPS 350-300	H65-0177610
95.25	76.20	23.80	6.35	89.41	93.55	0.40		SPS 375-300	
95.25	82.55	14.28	5.33	89.41	93.65	0.40		SPS 375-325	H65-0178810
101.60	82.55	23.80	6.35	95.76	99.90	0.40		SPS 400-325	H53-0082313
101.60	85.72	19.68	6.13	95.76	100.58	0.40		SPS 400-337	
101.60	88.90	14.28	5.33	95.76	100.00	0.40		SPS 400-350	H65-1172310
107.95	88.90	23.80	6.35	102.20	106.35	0.40			H53-0082211

* For order processing, the computer code will be e.g. CS 044.45-028.57-19.05/6.35 DAS (1750-1125), CS 025.40-017.45-8.41/3.08 SPS, CS 025.40-017.45-8.71/3.17 H65

Compact Seal



(Imperial Size)

Bore Dia.	Groove Dimensions						Reference	Reference	Reference
	D	d	L1	L2	d1	d2			
107.95	95.25	14.28	5.33	102.11	106.35	0.40		H65-0309210	
114.30	88.90	31.75	6.35	107.49	112.47	0.40	SPS 450-350	H53-6294210	
114.30	101.60	14.28	5.33	108.46	112.70	0.40		H65-0418910	
120.65	107.95	14.28	5.33	114.81	119.05	0.80		H65-1155810	
127.00	101.60	31.75	9.52	119.61	124.51	0.80	SPS 500-400	H53-6594310	
127.00	107.95	24.46	6.13	121.20	125.98	0.80	SPS 500-425		
127.00	111.13	17.45	8.74	119.10	125.40	0.80		H65-1175410	
133.35	117.47	17.45	8.74	125.43	131.75	0.80		H65-1173710	
139.70	114.30	31.75	9.52	132.41	137.41	0.80		H53-6594410	
139.70	123.83	17.45	8.74	131.78	138.10	0.80		H65-1173610	
152.40	127.00	31.75	9.52	145.11	150.11	0.80	SPS 600-500	H53-6594510	
152.40	133.35	25.40	12.70	145.08	150.80	0.80		H65-0300110	
165.10	146.05	25.40	12.70	157.78	163.50	0.80		H65-0047010	
177.80	158.75	25.40	12.70	170.48	176.20	0.80		H65-0314110	
190.50	171.45	25.40	12.70	183.18	188.90	0.80		H65-0363410	
203.20	184.15	25.40	12.70	195.88	201.60	0.80		H65-0045110	
203.20	177.80	31.75	12.70	194.97	200.56	0.80	SPS 800-700		
228.60	209.55	25.40	12.70	221.28	227.00	0.80		H65-0045510	

* For order processing, the computer code will be e.g. CS 044.45-028.57-19.05/6.35 DAS (1750-1125), CS 025.40-017.45-8.41/3.08 SPS, CS 025.40-017.45-8.71/3.17 H65