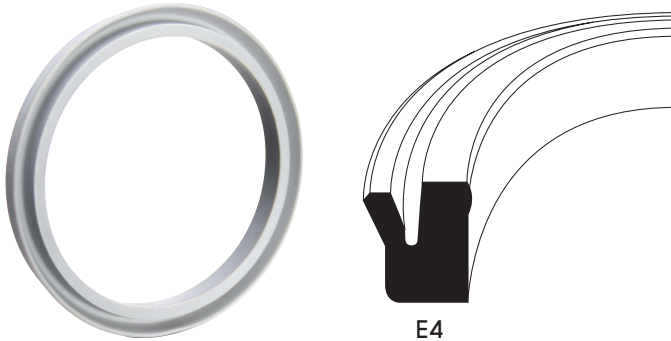


Piston Seals

E4

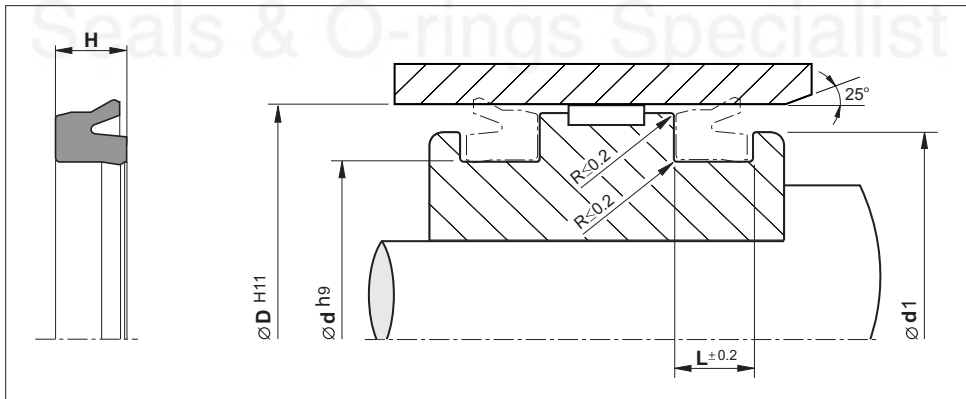
(Metric Size)



Material	Pressure (Bar)	Temp. (°c)	Speed (m/s)
NBR	16	-30 +80	1

- Tight fit into the groove ensures reliable operation.
- Suitable for cylinders with cushioning.
- Long service life.
- Easy snap assembly in grooves.

Installation Recommendation



Surface roughness	Ra	Rmax
Sliding surface	$\leq 0.3 \mu\text{m}$	$\leq 2.5 \mu\text{m}$
Surface of housing	$\leq 1.6 \mu\text{m}$	$\leq 6.3 \mu\text{m}$
Sides of housing	$\leq 3.0 \mu\text{m}$	$\leq 15 \mu\text{m}$

# Piston - E4

(Metric Size)

Bore Dia.	Groove Dia.	Seal Hight	Groove Width	Fitting Dia.	Prefix No.	Reference (For order processing)
D	d	H	L	d1		
10.0	5.0	3.0	3.5	9.0	1050	UC 005-010-03 E4
12.0	6.0	4.0	4.5	11.0	1206	UC 006-012-04 E4
12.0	7.0	4.0	4.5	11.0	1207	UC 007-012-04 E4
14.0	8.0	4.0	4.5	13.0	1408	UC 008-014-04 E4
16.0	8.0	5.5	6.0	15.0	1608	UC 008-016-05.5 E4
16.0	9.0	5.0	5.5	15.0	1609	UC 009-016-05 E4
16.0	10.0	4.0	4.5	15.0	1610	UC 010-016-04 E4
20.0	12.0	5.5	6.0	19.0	2012	UC 012-020-05.5 E4
20.0	14.0	4.0	4.5	19.0	2014	UC 014-020-04 E4
20.5	14.0	4.0	4.5	19.5	2016	UC 014-020.5-04 E4
22.0	16.0	5.0	5.5	21.0	2216	UC 016-022-05 E4
24.0	16.0	5.5	6.0	23.0	2416	UC 016-024-05.5 E4
25.0	15.5	5.8	6.3	24.0	2515	UC 015.5-025-05.8 E4
25.0	17.0	4.5	5.0	24.0	2516	UC 017-025-04.5 E4
25.0	17.0	5.5	6.0	24.0	2517	UC 017-025-05.5 E4
28.0	18.0	7.0	7.5	26.5	2818	UC 018-028-07 E4
32.0	20.0	6.5	7.0	30.0	3220	UC 020-032-06.5 E4
32.0	22.0	7.0	7.5	30.5	3222	UC 022-032-07 E4
32.0	24.0	5.5	6.0	31.0	3224	UC 024-032-05.5 E4
34.0	24.0	7.0	7.5	32.5	3424	UC 024-034-07 E4
36.0	26.0	7.0	7.5	34.5	3666	UC 026-036-07 E4
40.0	30.0	7.0	7.5	38.5	4030	UC 030-040-07 E4
42.0	30.0	6.0	6.5	40.0	4203	UC 030-042-06 E4
45.0	33.0	9.0	10.0	43.0	4533	UC 033-045-09 E4
45.0	37.0	7.0	7.5	44.0	4537	UC 037-045-07 E4
50.0	40.0	7.0	7.5	48.5	5040	UC 040-050-07 E4
60.0	50.0	7.0	7.5	58.5	6022	UC 050-060-07 E4
63.0	53.0	7.0	7.5	61.5	6353	UC 053-063-07 E4
65.0	55.0	7.0	7.5	63.5	6510	UC 055-065-07 E4
70.0	58.0	7.0	7.5	68.0	7058	UC 058-070-07 E4
75.0	65.0	7.5	8.0	73.5	7065	UC 065-075-07.5 E4
80.0	68.0	8.5	9.5	78.0	8068	UC 068-080-08.5 E4
84.0	72.0	8.5	9.5	82.0	8072	UC 072-084-08.5 E4
100.0	88.0	8.5	9.5	98.0	A088	UC 088-100-08.5 E4
105.0	93.0	8.5	9.5	103.0	A501	UC 093-105-08.5 E4
110.0	98.0	8.5	9.5	108.0	B002	UC 098-110-08.5 E4
115.0	103.0	8.5	9.5	113.0	B515	UC 103-115-08.5 E4
120.0	105.0	10.0	11.0	117.5	C005	UC 105-120-10 E4
125.0	110.0	10.0	11.0	122.5	C010	UC 110-125-10 E4
130.0	115.0	10.0	11.0	127.5	D015	UC 115-130-10 E4

## Piston - E4

(Metric Size)

Bore Dia.	Groove Dia.	Seal Hight	Groove Width	Fitting Dia.	Prefix No.	Reference (For order processing)
D	d	H	L	d1		
140.0	125.0	10.0	11.0	137.5	E040	UC 125-140-10 E4
150.0	135.0	10.0	11.0	147.5	F004	UC 135-150-10 E4
160.0	140.0	14.0	15.0	155.0	G014	UC 140-160-14 E4
160.0	145.0	10.0	11.0	157.5	G022	UC 145-160-10 E4
180.0	160.0	14.0	15.0	175.0	J014	UC 160-180-14 E4
200.0	180.0	14.0	15.0	195.0	L018	UC 180-200-14 E4
220.0	199.0	15.0	16.0	215.0	M005	UC 199-220-15 E4
250.0	225.0	18.0	19.0	242.5	N525	UC 225-250-18 E4
250.0	226.0	16.0	17.0	242.5	N502	UC 226-250-16 E4
250.0	230.0	14.0	15.0	245.0	N503	UC 230-250-14 E4
260.0	240.0	14.0	15.0	255.0	O040	UC 240-260-14 E4
280.0	260.0	14.0	15.0	275.0	P060	UC 260-280-14 E4
320.0	295.0	14.0	15.0	312.5	Q205	UC 295-320-14 E4
320.0	295.0	17.0	18.0	312.5	Q206	UC 295-320-17 E4
470.0	440.0	21.0	22.0	460.0	R720	UC 440-470-21 E4

**SPEC SEAL**  
Seals & O-rings Specialist