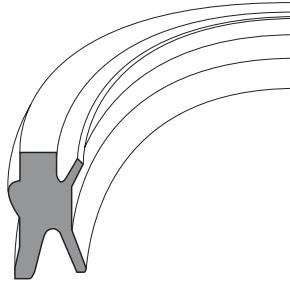


Rod Seals + Wiper

EU

(Metric Size)

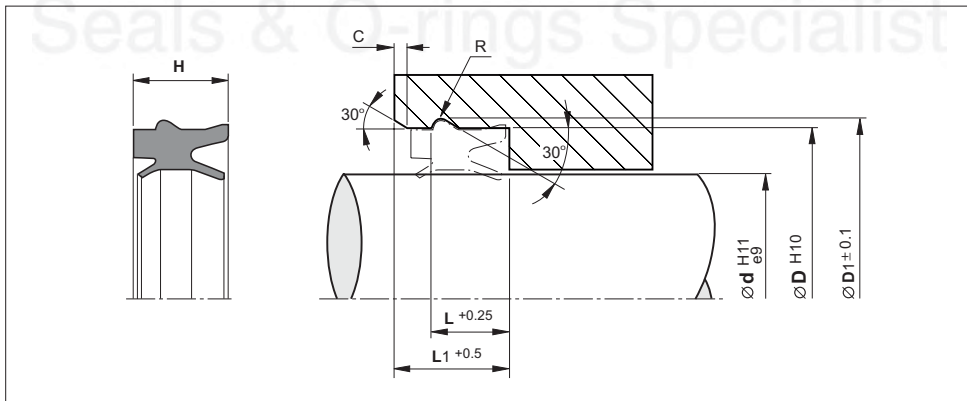


EU

Material	Pressure (Bar)	Temp. (°c)	Speed (m/s)
PU	16	-35 +80	1

- No danger of corrosion as the combined retainer/wiper.
- No dust corners thanks to the special design in the vicinity of the wiper.
- Low friction values.
- Can be used even with dry and oil free.

Installation Recommendation



Surface roughness	Ra	Rt
-------------------	----	----

Sliding surface	$\leq 0.3 \mu\text{m}$	$\leq 4 \mu\text{m}$
Surface of housing	$\leq 1.8 \mu\text{m}$	$\leq 10 \mu\text{m}$
Sides of housing	$\leq 3.0 \mu\text{m}$	$\leq 16 \mu\text{m}$

Rod Seals & Wiper - EU

(Metric Size)

Rod Dia.	Groove Dia.	Seal Height	Dimensions					Reference (For order processing)
			D1	L	L1	R	C	
10.0	18.0	10.7	20.0	8.8	13.0	1.1	1.5	EU1018 P
12.0	19.0	10.0	21.0	7.7	12.0	1.0	1.5	EU1219 P
12.0	20.0	10.7	22.0	8.8	13.0	1.1	1.5	EU1205 P
12.0	22.0	10.7	24.0	8.8	13.0	1.1	1.5	EU1222 P
14.0	24.0	10.7	26.0	8.8	13.0	1.1	1.5	EU1424 P
16.0	26.0	10.7	28.0	8.8	13.0	1.1	1.5	EU1626 P
18.0	26.0	10.7	28.0	8.8	13.0	1.1	1.5	EU1826 P
18.0	28.0	10.7	30.0	8.8	13.0	1.1	1.5	EU1828 P
20.0	30.0	10.7	32.0	8.8	13.0	1.1	1.5	EU2029 P
22.0	32.0	11.2	34.5	9.4	14.0	1.4	2.0	EU2205 P
25.0	35.0	11.2	37.5	9.4	14.0	1.4	2.0	EU2535 P
30.0	40.0	11.2	42.5	9.4	14.0	1.4	2.0	EU3040 P
32.0	42.0	11.2	44.5	9.4	14.0	1.4	2.0	EU3242 P
40.0	50.0	11.2	52.5	9.4	14.0	1.4	2.0	EU4050 P
45.0	55.0	12.2	58.2	10.4	15.0	1.8	2.0	EU4555 P
50.0	60.0	12.2	63.2	10.4	15.0	1.8	2.0	EU5060 P
63.0	75.0	13.0	78.2	11.4	16.0	1.8	2.0	EU6375 P

Seals & O-rings Specialist