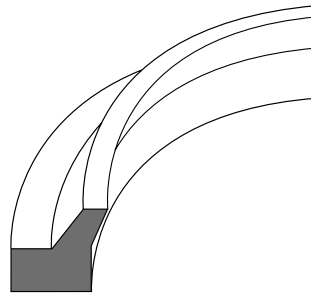
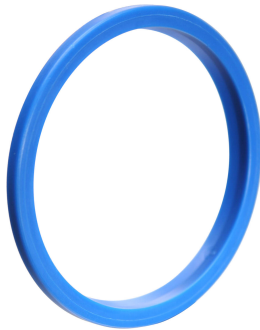


Wipers

EWS

(Inch Size)

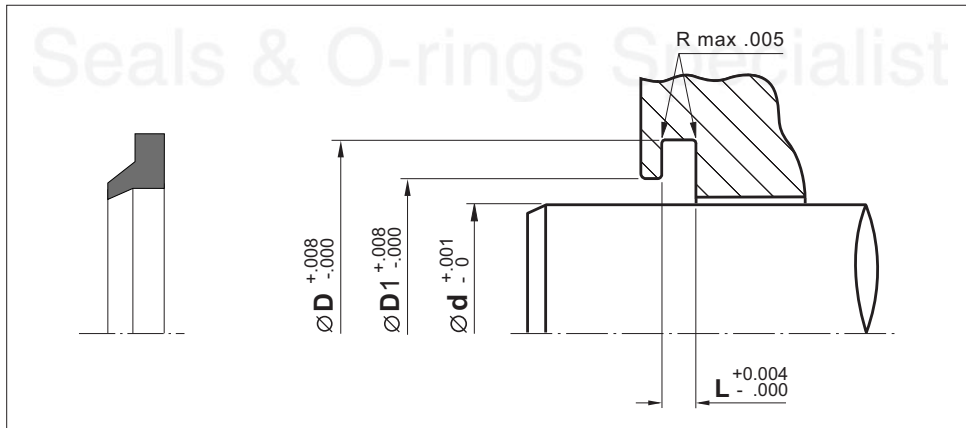


EWS

Material	Temp. (°c)	Speed (m/s)
PU	-35 +95	0.5

- Simple groove design.
- Small installation groove.
- Wear resistant.
- Long service life.

Installation Recommendation



Surface roughness

$\mu\text{in CLA}$

Sliding surface	4 to 16
Surface of housing	63 max
Sides of housing	125 max

Wiper - EWS



(Inch Size)

Rod Dia.	Groove Dia.	Groove Width	Bore Dia.	Reference (For order processing)
d	D	L	D1	
2.750	3.187	.187	2.970	EWS-275
3.000	3.500	.187	3.250	EWS-300
3.500	4.062	.187	3.790	EWS-350
3.625	4.187	.187	3.910	EWS-362
4.375	4.906	.187	4.670	EWS-437
6.312	6.906	.187	6.670	EWS-631
7.312	7.906	.187	7.680	EWS-731
8.375	8.969	.187	8.740	EWS-837
9.438	10.090	.187	9.836	EWS-943

