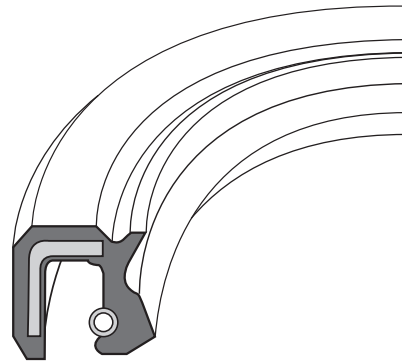


Rotary Seal

FTC

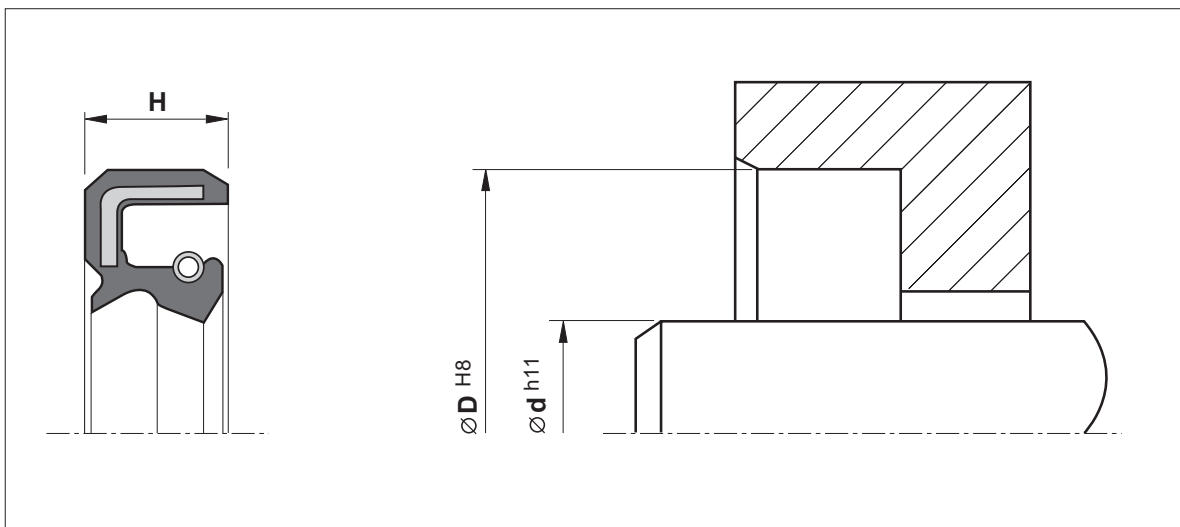


FTC

Material	Pressure (Bar)	Temp. (°c)	Dimension	
			mm.	Inch.
FPM - METAL	0.5	-35 +200	●	●

- Compensation of different thermal expansion.
- No risk of fretting corrosion.
- Effective protection against outside contaminants.
- Modern lip design.

Installation Recommendation



Surface roughness	Ra	Rt
Sliding surface	$\leq 0.3 \mu m$	$\leq 2 \mu m$
Surface of housing	$\leq 1.8 \mu m$	$\leq 10 \mu m$
Sides of housing	$\leq 3.0 \mu m$	$\leq 16 \mu m$