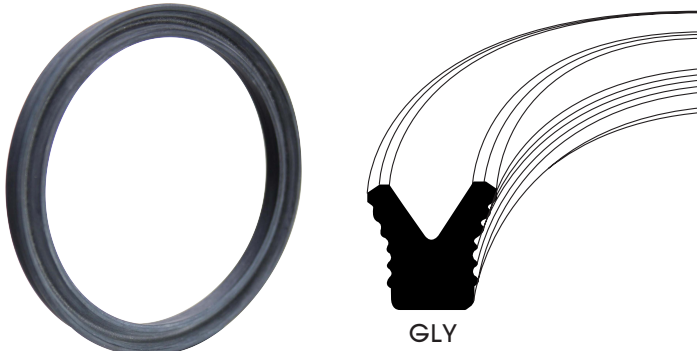


Piston & Rod Seals

GLY

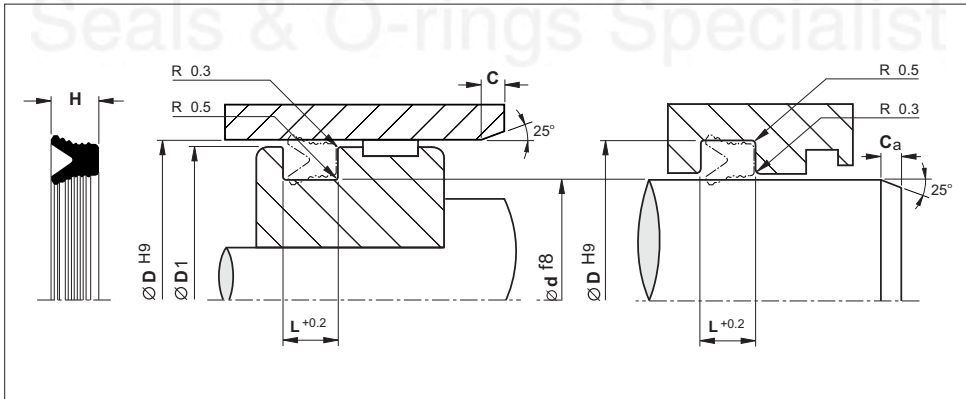
(Metric Size)



| Material | Pressure (Bar) | Temp. (°c) | Speed (m/s) |
|----------|----------------|------------|-------------|
| NBR | 10 | -25 +70 | 1 |

- Applicable for both pistons and rods.
- Exclusively for non lubrication cylinders.
- Easy to installed.
- Economical solution

Installation Recommendation



Surface roughness

Ra

Rt

Sliding surface

≤ 0.3 µm

≤ 4 µm

Surface of housing

≤ 1.8 µm

≤ 10 µm

Sides of housing

≤ 3.0 µm

≤ 16 µm

Piston & Rod Seals - GLY



(Metric Size)

| Rod/ Groove Dia. | Bore/ Groove Dia. | Seal Height | Groove Width | Dimensions | | | Reference (For order processing) |
|------------------------|-------------------------|----------------|-----------------|------------|-----|-----|--|
| | | | | D1 | C | Ca | |
| 10.0 | 18.0 | 5.0 | 5.7 | 17.1 | 3.0 | 1.5 | GLY-010 |
| 12.0 | 20.0 | 5.0 | 5.7 | 19.1 | 3.0 | 1.5 | GLY-012 |
| 14.0 | 22.0 | 5.0 | 5.7 | 21.1 | 3.0 | 1.5 | GLY-014 |
| 16.0 | 24.0 | 5.0 | 5.7 | 23.1 | 3.0 | 1.5 | GLY-016 |
| 17.0 | 25.0 | 5.0 | 5.7 | 24.1 | 3.0 | 1.5 | GLY-017 |
| 18.0 | 26.0 | 5.0 | 5.7 | 25.1 | 3.0 | 1.5 | GLY-018 |
| 20.0 | 28.0 | 5.0 | 5.7 | 27.1 | 3.0 | 1.5 | GLY-020 |
| 22.4 | 30.0 | 5.0 | 5.7 | 29.1 | 3.0 | 1.5 | GLY-022.4 |
| 25.0 | 33.0 | 5.0 | 5.7 | 32.1 | 3.0 | 1.5 | GLY-025 |
| 27.0 | 35.0 | 5.0 | 5.7 | 34.1 | 3.0 | 1.5 | GLY-027 |
| 28.0 | 36.0 | 5.0 | 5.7 | 35.1 | 3.0 | 1.5 | GLY-028 |
| 30.0 | 40.0 | 6.0 | 7.0 | 39.0 | 3.0 | 3.0 | GLY-030 |
| 31.5 | 41.5 | 6.0 | 7.0 | 40.5 | 3.0 | 3.0 | GLY-031.5 |
| 32.0 | 42.0 | 6.0 | 7.0 | 41.0 | 3.0 | 3.0 | GLY-032 |
| 35.0 | 45.0 | 6.0 | 7.0 | 44.0 | 3.0 | 3.0 | GLY-035 |
| 35.5 | 45.5 | 6.0 | 7.0 | 44.5 | 3.0 | 3.0 | GLY-035.5 |
| 36.0 | 46.0 | 6.0 | 7.0 | 45.0 | 3.0 | 3.0 | GLY-036 |
| 40.0 | 50.0 | 6.0 | 7.0 | 49.0 | 3.0 | 3.0 | GLY-040 |
| 45.0 | 55.0 | 6.0 | 7.0 | 54.0 | 3.0 | 3.0 | GLY-045 |
| 50.0 | 60.0 | 6.0 | 7.0 | 59.0 | 3.0 | 3.0 | GLY-050 |
| 53.0 | 63.0 | 6.0 | 7.0 | 62.0 | 3.0 | 3.0 | GLY-053 |
| 55.0 | 65.0 | 6.0 | 7.0 | 64.0 | 3.0 | 3.0 | GLY-055 |
| 60.0 | 70.0 | 6.0 | 7.0 | 69.0 | 3.0 | 3.0 | GLY-060 |
| 63.0 | 73.0 | 6.0 | 7.0 | 72.0 | 3.0 | 3.0 | GLY-063 |
| 65.0 | 75.0 | 6.0 | 7.0 | 74.0 | 3.0 | 3.0 | GLY-065 |
| 70.0 | 80.0 | 6.0 | 7.0 | 79.0 | 3.0 | 3.0 | GLY-070 |
| 75.0 | 85.0 | 6.0 | 7.0 | 84.0 | 3.0 | 3.0 | GLY-075 |
| 80.0 | 90.0 | 6.0 | 7.0 | 89.0 | 3.0 | 3.0 | GLY-080 |
| 85.0 | 100.0 | 9.0 | 10.0 | 98.5 | 4.0 | 4.0 | GLY-085 |
| 95.0 | 110.0 | 9.0 | 10.0 | 108.5 | 4.0 | 4.0 | GLY-095 |
| 100.0 | 115.0 | 9.0 | 10.0 | 113.5 | 4.0 | 4.0 | GLY-100 |
| 105.0 | 120.0 | 9.0 | 10.0 | 118.5 | 4.0 | 4.0 | GLY-105 |
| 110.0 | 125.0 | 9.0 | 10.0 | 123.5 | 4.0 | 4.0 | GLY-110 |
| 115.0 | 130.0 | 9.0 | 10.0 | 128.5 | 4.0 | 4.0 | GLY-115 |
| 125.0 | 140.0 | 9.0 | 10.0 | 138.5 | 4.0 | 4.0 | GLY-125 |
| 135.0 | 150.0 | 9.0 | 10.0 | 148.5 | 4.0 | 4.0 | GLY-135 |
| 145.0 | 160.0 | 9.0 | 10.0 | 158.5 | 4.0 | 4.0 | GLY-145 |
| 160.0 | 175.0 | 9.0 | 10.0 | 173.5 | 4.0 | 4.0 | GLY-160 |
| 165.0 | 180.0 | 9.0 | 10.0 | 178.5 | 4.0 | 4.0 | GLY-165 |
| 175.0 | 190.0 | 9.0 | 10.0 | 188.5 | 4.0 | 4.0 | GLY-175 |

(Metric Size)

| Rod/ Groove Dia. | Bore/ Groove Dia. | Seal Hight | Groove Width | Dimensions | | | Reference (For order processing) |
|------------------------|-------------------------|---------------|-----------------|------------|-----|-----|--|
| | | | | d | D | H | |
| 180.0 | 200.0 | 12.0 | 13.0 | 198.0 | 5.0 | 5.0 | GLY-180 |
| 185.0 | 205.0 | 12.0 | 13.0 | 203.0 | 5.0 | 5.0 | GLY-185 |
| 200.0 | 220.0 | 12.0 | 13.0 | 218.0 | 5.0 | 5.0 | GLY-200 |
| 215.0 | 235.0 | 12.0 | 13.0 | 233.0 | 5.0 | 5.0 | GLY-215 |
| 230.0 | 250.0 | 12.0 | 13.0 | 248.0 | 5.0 | 5.0 | GLY-230 |
| 240.0 | 260.0 | 12.0 | 13.0 | 258.0 | 5.0 | 5.0 | GLY-240 |

