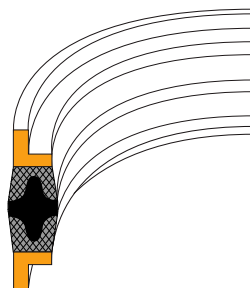


Piston Seals (Double Acting)

H-58

(Imperial Size)

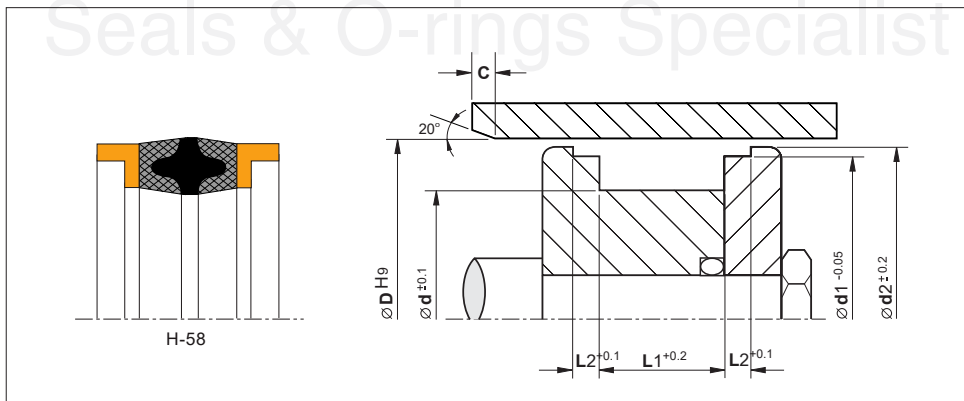


H-58

Material	Pressure (Bar)	Temp. (°c)	Speed (m/s)
NBR+Fabric+POM	450	-30 +100	0.5

- Designed for heavy hydraulic applications.
- Excellent sealing effect and abrasion resistance.
- Suitable for holding cylinder.
- Two pieces piston.

Installation Recommendation



Surface roughness	Ra	Rt	Chamfers	
Sliding surface	$\leq 0.3 \mu\text{m}$	$\leq 4 \mu\text{m}$	D	C
Surface of housing	$\leq 1.8 \mu\text{m}$	$\leq 10 \mu\text{m}$	< 60	4.0
Sides of housing	$\leq 3.0 \mu\text{m}$	$\leq 16 \mu\text{m}$	60-120	5.0
			120-180	6.5
			180-250	7.5

Compact Seal

(Imperial Size)

Bore Dia.	Groove Dimensions					Reference	Reference
	D	d	L1	L2	d1		
25.40	15.87	11.88	6.35	22.42	24.48	DPW 100-062	
25.40	15.87	15.06	4.62	21.97	24.59	DPW 100-062/L	H58-1247650
31.75	19.05	15.87	6.35	28.22	30.68	DPW 125-075	
31.75	19.05	19.05	6.23	28.32	30.94	DPW 125-075/L	H58-0403750
34.92	22.22	19.05	6.23	31.52	34.11	DPW 137-087/L	
38.10	25.40	15.87	6.35	34.54	37.03	DPW 150-100	
38.10	25.40	19.05	6.23	34.67	37.29	DPW 150-100/L	H58-0422450
41.27	28.57	15.87	6.35	37.72	40.20	DPW 162-112	
44.45	28.57	19.05	6.35	39.88	43.13	DPW 175-112	
44.45	28.57	23.80	6.23	39.42	42.85	DPW 175-112/L	H58-0778250
47.62	31.75	23.80	6.35	42.65	46.61	DPW 187-125/LD	
50.80	34.92	19.05	6.35	46.23	49.48	DPW 200-137	H58-0639150
50.80	34.92	23.80	6.23	45.77	49.20	DPW 200-137/L	H58-0778450
53.97	38.10	19.05	6.35	49.38	52.68	DPW 212-150	
57.15	41.27	19.05	6.35	52.55	55.80	DPW 225-162	
57.15	41.27	23.80	6.23	52.12	55.55	DPW 225-162/L	H58-1432650
60.32	44.45	19.05	6.35	55.73	58.98	DPW 237-175	
60.32	44.45	23.80	6.23	55.30	58.72	DPW 237-175/L	H58-0939850
63.50	47.62	19.05	6.35	58.90	62.13	DPW 250-187	
63.50	47.62	23.80	6.23	58.47	61.90	DPW 250-187/L	H58-0867250
66.67	50.80	19.05	6.35	62.05	65.30	DPW 262-200	
66.67	50.80	23.80	6.23	61.67	65.07	DPW 262-200/L	H58-1371050
69.85	50.80	23.80	6.35	64.06	68.20	DPW 275-200	H58-0783250
69.85	50.80	30.15	6.23	63.04	68.25	DPW 275-200/L	H58-1369150
73.03	53.98	30.15	6.35	66.29	71.42		H58-0779650
76.20	57.15	23.80	6.35	70.41	74.55	DPW 300-225	H58-6502450
76.20	57.15	28.57	6.35	70.41	74.55	DPW 300-225/1	
76.20	57.15	30.15	6.23	69.39	74.60	DPW 300-225/L	H58-1098450
79.37	60.32	23.80	6.35	73.56	77.72	DPW 312-237	
82.55	63.50	23.80	6.35	76.73	80.87	DPW 325-250	H58-1154150
82.55	63.50	30.15	6.23	75.74	80.95	DPW 325-250/L	H58-0782450
85.72	66.67	25.40	6.35	78.99	84.12		H58-2199650
85.72	66.67	30.15	4.77	79.22	84.20	DPW 337-262/LD	
88.90	69.85	23.80	6.35	83.08	87.22	DPW 350-275	
88.90	69.85	30.15	6.23	82.09	87.30	DPW 350-275/L	H58-0437850
95.25	76.20	23.80	6.35	89.41	93.55	DPW 375-300	
95.25	76.20	30.15	6.23	88.44	93.65	DPW 375-300/L	H58-0410550
98.42	79.37	23.80	6.35	92.60	96.74	DPW 387-312	
98.43	79.38	30.15	6.35	91.69	96.82		H58-0295850
101.60	82.55	23.80	6.35	95.76	99.90	DPW 400-325	

* For order processing, the computer code will be
 e.g. CS 025.4-015.87-11.88/6.35 DPW (100-062), CS 025.4-015.87-15.06/4.62 H58

(Imperial Size)

Bore Dia.	Groove Dimensions					Reference	Reference
	D	d	L1	L2	d1		
101.60	82.55	30.15	6.23	94.79	100.00	DPW 400-325/L	H58-1407750
107.95	88.90	23.80	6.35	102.08	106.22	DPW 425-350	
107.95	88.90	30.15	6.35	101.22	106.35	DPW 425-350/L	H58-1128850
114.30	88.90	31.75	6.35	107.42	112.32	DPW 450-350	
114.30	88.90	38.10	6.35	107.42	112.32	DPW 450-350/1	
114.30	88.90	38.10	9.42	107.49	112.70	DPW 450-350/L	H58-0448850
120.65	95.25	31.75	6.35	113.74	118.64	DPW 475-375	H58-0038250
120.65	95.25	38.10	9.42	113.84	119.05	DPW 475-375/L	H58-1007050
127.00	101.60	31.75	6.35	120.09	124.99	DPW 500-400	
127.00	101.60	38.10	9.42	120.19	125.40	DPW 500-400/L	H58-0443050
133.35	107.95	31.75	6.35	126.41	131.32	DPW 525-425	
133.35	107.95	38.10	9.42	126.44	131.75	DPW 525-425/L	H58-0892250
139.70	114.30	31.75	6.35	132.77	137.67	DPW 550-450	
139.70	114.30	38.10	9.42	132.89	138.10	DPW 550-450/L	H58-0133250
146.05	120.65	31.75	6.35	139.06	143.99	DPW 575-475	
146.05	120.65	38.10	9.53	139.29	144.45		H58-1366950
152.40	127.00	31.75	6.35	145.44	150.34	DPW 600-500	H58-0557950
152.40	127.00	38.10	9.42	145.59	150.80	DPW 600-500/L	H58-1367050
158.75	133.35	38.10	9.53	151.99	157.15		H58-0083350
165.10	139.70	31.75	6.35	158.12	163.01	DPW 650-550	
165.10	139.70	38.10	9.53	158.39	163.50		H58-1164150
171.45	146.05	38.10	9.53	164.69	169.85		H58-1286150
177.80	152.40	31.75	6.35	170.79	175.69	DPW 700-600	
177.80	152.40	38.10	9.42	170.99	176.20	DPW 700-600/L	H58-1188850
190.50	158.75	47.63	9.53	183.90	188.90		H58-1255250
203.20	177.80	31.75	9.53	196.60	201.60		H58-0224350
228.60	196.85	47.63	9.53	222.00	227.00		H58-1266650
228.60	203.20	31.75	9.53	221.89	227.00		H58-1273750
254.00	228.60	31.75	9.53	247.40	252.40		H58-0697650

* For order processing, the computer code will be
e.g. CS 025.4-015.87-11.88/6.35 DPW (100-062), CS 025.4-015.87-15.06/4.62 H58