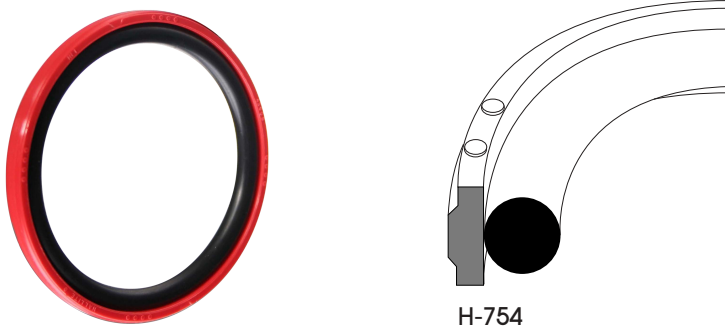


Piston Seals (Double Acting)

H-754

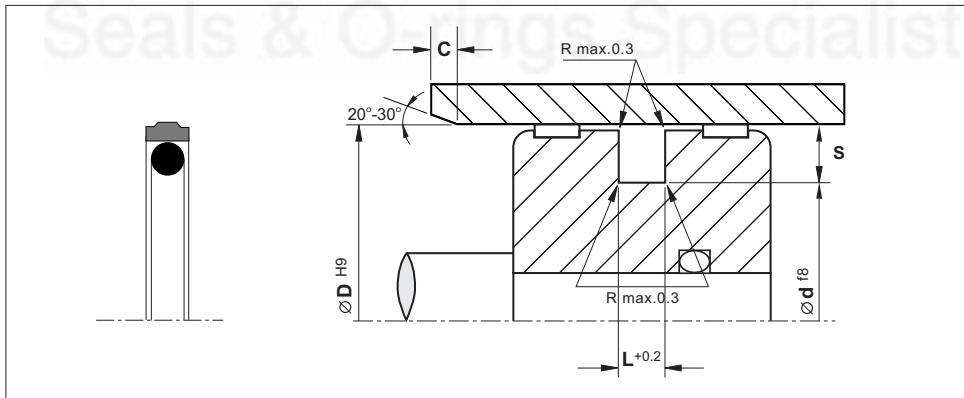
(Metric Size)



Material	Pressure (Bar)	Temp. (°c)	Speed (m/s)
PU - O Ring	350	-40 +110	1

- Low break-out and operating friction levels.
- Rapid recovery of face after assembly.
- Compatible with most hydraulic fluids.
- Excellent wear resistance.
- Available in metric sizes.

Installation Recommendation



Surface roughness	Ra	Rt	Chamfers	
			S	C
Sliding surface	≤ 0.3 µm	≤ 4 µm	≤ 3.75	2.0
Surface of housing	≤ 1.8 µm	≤ 10 µm	5.50	3.0
Sides of housing	≤ 3.0 µm	≤ 16 µm	7.75	4.0
			10.50	5.5
			12.25	7.0

Piston Sealing Set - H754



(Metric Size)

Bore Dia.	Groove Dia.	Groove Width	Reference (For order processing)	Reference (For order processing)
D	d	L		
15.0	7.5	3.2	H754 015-007.5-3.2	4446410
16.0	8.5	3.2	H754 016-008.5-3.2	4400610
20.0	12.5	3.2	H754 020-012.5-3.2	4362310
25.0	17.5	3.2	H754 025-017.5-3.2	4339610
30.0	22.5	3.2	H754 030-022.5-3.2	4339710
32.0	24.5	3.2	H754 032-024.5-3.2	4339810
35.0	27.5	3.2	H754 035-027.5-3.2	4352410
40.0	29.0	4.2	H754 040-029.0-4.2	4339210
45.0	34.0	4.2	H754 045-034.0-4.2	4342310
50.0	34.5	6.3	H754 050-034.5-6.3	4427410
50.0	39.0	4.2	H754 050-039.0-4.2	4327110
55.0	39.5	6.3	H754 055-039.5-6.3	4355610
55.0	44.0	4.2	H754 055-044.0-4.2	4465510
60.0	44.5	6.3	H754 060-044.5-6.3	4390710
60.0	49.0	4.2	H754 060-049.0-4.2	4327010
63.0	47.5	6.3	H754 063-047.5-6.3	4431110
63.0	50.0	6.3	H754 063-050.0-6.3	4472310
63.0	52.0	4.2	H754 063-052.0-4.2	4326910
65.0	49.5	6.3	H754 065-049.5-6.3	4362010
65.0	52.0	6.3	H754 065-052.0-6.3	4384910
65.0	54.0	4.2	H754 065-054.0-4.2	4353010
70.0	57.0	6.3	H754 070-057.0-6.3	4390810
70.0	59.0	4.2	H754 070-059.0-4.2	4326810
75.0	64.0	4.2	H754 075-064.0-4.2	4339910
80.0	64.5	6.3	H754 080-064.5-6.3	4270910
85.0	69.5	6.3	H754 085-069.5-6.3	4564010
90.0	74.5	6.3	H754 090-074.5-6.3	4372710
100.0	84.5	6.3	H754 100-084.5-6.3	4339310
105.0	89.5	6.3	H754 105-089.5-6.3	4372510
110.0	94.5	6.3	H754 110-094.5-6.3	4419310
115.0	99.5	6.3	H754 115-099.5-6.3	4355810
120.0	99.0	8.1	H754 120-099.0-8.1	4535010
120.0	104.5	6.3	H754 120-104.5-6.3	4465410
125.0	104.0	8.1	H754 125-104.0-8.1	4376510
125.0	109.5	6.3	H754 125-109.5-6.3	4340010
130.0	109.0	8.1	H754 130-109.0-8.1	4402410
130.0	114.5	6.3	H754 130-114.5-6.3	4342210
135.0	114.0	8.1	H754 135-114.0-8.1	4535110
140.0	119.0	8.1	H754 140-119.0-8.1	4340110
140.0	124.5	6.3	H754 140-124.5-6.3	4499410
150.0	129.0	8.1	H754 150-129.0-8.1	4396910
160.0	139.0	8.1	H754 160-139.0-8.1	4340210
165.0	144.0	8.1	H754 165-144.0-8.1	4452210
170.0	149.0	8.1	H754 170-149.0-8.1	4340310
180.0	159.0	8.1	H754 180-159.0-8.1	4340410
190.0	169.0	8.1	H754 190-169.0-8.1	4342410
200.0	179.0	8.1	H754 200-179.0-8.1	4340510
210.0	189.0	8.1	H754 210-189.0-8.1	4351510
225.0	204.0	8.1	H754 225-204.0-8.1	4512810
240.0	230.0	8.1	H754 240-230.0-8.1	4553610
250.0	229.0	8.1	H754 250-229.0-8.1	4393710
300.0	279.0	8.1	H754 300-279.0-8.1	4572810