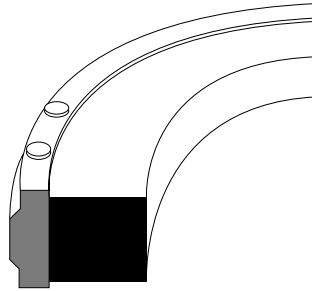


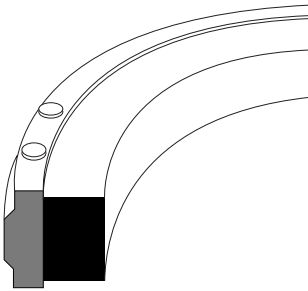
Piston Seals (Double Acting)

H-755, H-770

(Inch Size)



H-755

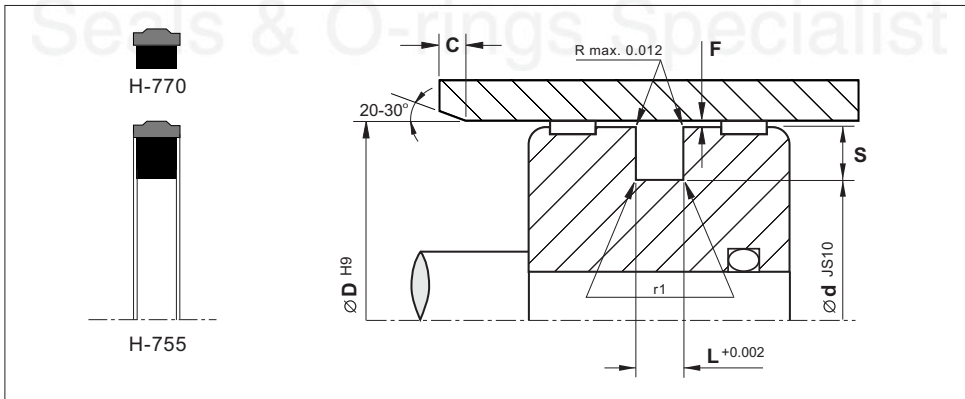


H-770

Material	Pressure (Bar)	Temp. (°c)	Speed (m/s)
PU - NBR	350	-40 +110	1

- Low break-out and operating friction levels.
- Rapid recovery of face after assembly.
- Compatible with most hydraulic fluids.
- Excellent wear resistance.
- Ideal for use with wear rings.

Installation Recommendation



Surface roughness $\mu\text{in CLA}$		Extrusion Gap F		Chamfers	
Sliding surface	4 to 16	Pressure	S>0.200	S	C
Surface of housing	63 max	100 bar	0.030	0.154	0.100
Sides of housing	125 max	160 bar	0.025	0.269	0.150
		250 bar	0.020	0.373	0.200
		350 bar	0.010	0.431	0.200

Piston Sealing Set - H755



(Inch Size)

Bore Dia.	Groove Dia.	Groove Width	Reference (For order processing)	Reference
D	d	L		
1.000	0.691	0.129	H755 - 1000	8910000
1.250	0.941	0.129	H755 - 1250	8910100
1.250	1.008	0.187	H770 - 1250	4554412
1.500	1.191	0.129	H755 - 1500	8910200
1.750	1.441	0.129	H755 - 1750	8910300
2.000	1.606	0.129	H755 - 2000/A	8913100
2.000	1.630	0.281	H770 - 2000	4553512
2.000	1.691	0.129	H755 - 2000	8910400
2.250	1.941	0.129	H755 - 2250	8910500
2.500	2.106	0.283	H755 - 2500/A	4439310
2.500	2.130	0.281	H770 - 2500	4490012
2.500	2.191	0.129	H755 - 2500	8910600
2.750	2.441	0.129	H755 - 2750	8910700
3.000	2.462	0.283	H755 - 3000	8910800
3.000	2.630	0.281	H770 - 3000	4349412
3.250	2.712	0.283	H755 - 3250	8910900
3.250	2.880	0.281	H770 - 3250	4349512
3.500	2.962	0.283	H755 - 3500	8911000
3.500	3.130	0.281	H770 - 3500	4349612
3.750	3.212	0.283	H755 - 3750	8911100
3.750	3.380	0.281	H770 - 3750	4349712
4.000	3.462	0.283	H755 - 4000	8911200
4.000	3.630	0.281	H770 - 4000	4349812
4.250	3.712	0.283	H755 - 4250	8911300
4.250	3.880	0.281	H770 - 4250	4349912
4.500	3.962	0.283	H755 - 4500	8911400
4.500	4.130	0.281	H770 - 4500	4350012
4.750	4.212	0.283	H755 - 4750	8911500
4.750	4.380	0.281	H770 - 4750	4350112
5.000	4.462	0.283	H755 - 5000	8911600
5.000	4.630	0.281	H770 - 5000	4350212
5.250	4.504	0.378	H755 - 5250	8911700
5.500	4.754	0.378	H755 - 5500	8911800
5.750	5.004	0.378	H755 - 5750	8913200
6.000	5.254	0.378	H755 - 6000	8911900
6.250	5.504	0.378	H755 - 6250	8912000
6.500	5.754	0.378	H755 - 6500	8912100
7.000	6.250	0.312	H755 - 7000/A	4394810
7.000	6.254	0.378	H755 - 7000	8912200
7.250	6.504	0.378	H755 - 7250	8912300
7.500	6.754	0.378	H755 - 7500	8912400
8.000	7.254	0.378	H755 - 8000	8912500
8.500	7.754	0.378	H755 - 8500	8912600
9.000	8.137	0.378	H755 - 9000	8912700
9.500	8.637	0.378	H755 - 9500	8912800
10.000	9.137	0.378	H755 -10000	8912900