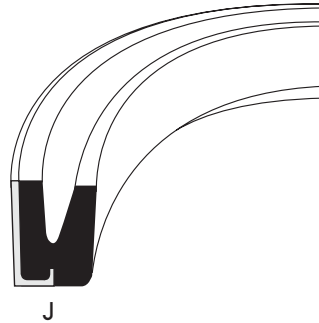


## Wipers

J

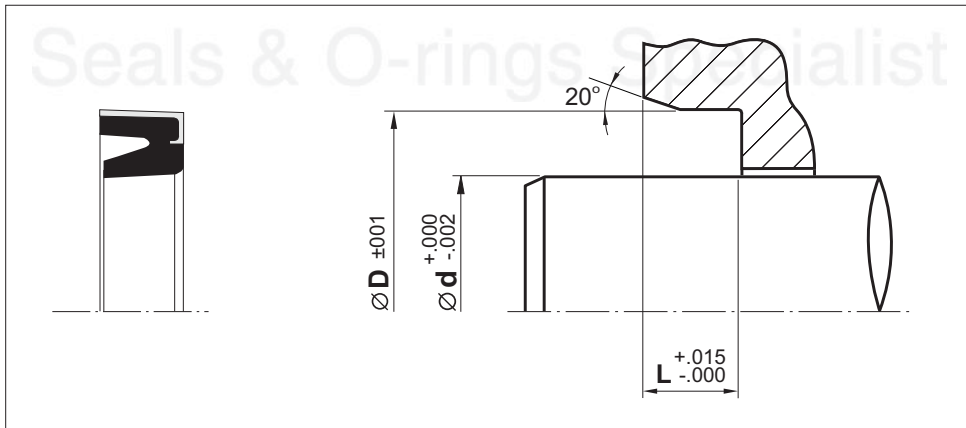
(Inch Size)



Material	Temp. (°C)	Speed (m/s)
PU-Metal	-35 +95	0.5

- Space saving construction.
- Low cost, economical solution.
- Greater durability due to exceptional resistance to abrasion.

### Installation Recommendation



### Surface roughness

### µin CLA

Sliding surface	4 to 16
Surface of housing	63 max
Sides of housing	125 max

# Metal Case Wiper - J



(Inch Size)

Nominal Rod Dia.	Rod Dia.	Groove Dia.	Groove Width	Reference (For order processing)
	d	D	L	
1/2	.498	1.000	.250	J-0500
5/8	.623	1.125	.312	J-0625
3/4	.748	1.250	.312	J-0750
7/8	.873	1.375	.312	J-0875
1	.998	1.500	.312	J-1000
1-1/8	1.123	1.625	.312	J-1125
1-1/4	1.248	1.750	.312	J-1250
1-3/8	1.373	1.875	.312	J-1375
1-1/2	1.498	2.000	.312	J-1500
1-5/8	1.623	2.125	.312	J-1625
1-3/4	1.748	2.250	.312	J-1750
1-7/8	1.873	2.375	.312	J-1875
2	1.998	2.500	.312	J-2000
2-1/8	2.123	2.625	.312	J-2125
2-1/4	2.248	2.750	.312	J-2250
2-3/8	2.373	2.875	.312	J-2375
2-1/2	2.498	3.000	.312	J-2500
2-5/8	2.623	3.125	.312	J-2625
2-3/4	2.748	3.250	.312	J-2750
2-7/8	2.873	3.375	.312	J-2875
3	2.997	3.500	.312	J-3000
3-1/8	3.122	3.750	.312	J-3125
3-1/4	3.247	3.875	.312	J-3250
3-3/8	3.372	4.000	.312	J-3375
3-1/2	3.497	4.125	.312	J-3500
3-5/8	3.622	4.250	.312	J-3625
3-3/4	3.747	4.375	.312	J-3750
3-7/8	3.872	4.500	.312	J-3875
4	3.997	4.625	.312	J-4000
4-1/8	4.122	4.750	.312	J-4125
4-1/4	4.247	4.875	.312	J-4250
4-3/8	4.372	5.000	.312	J-4375
4-1/2	4.497	5.125	.312	J-4500
4-3/4	4.747	5.375	.312	J-4750
5	4.997	5.625	.312	J-5000
5-1/4	5.247	5.875	.312	J-5250
5-1/2	5.497	6.125	.375	J-5500
5-3/4	5.747	6.375	.375	J-5750
6	5.997	6.625	.375	J-6000
6-3/4	6.747	7.375	.375	J-6750