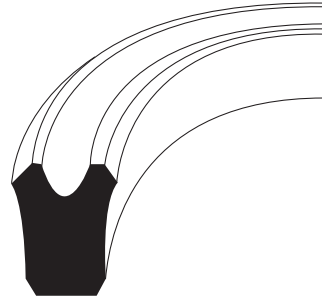


Rubber U-Cup

Piston & Rod Seals

KY

(Metric Size)

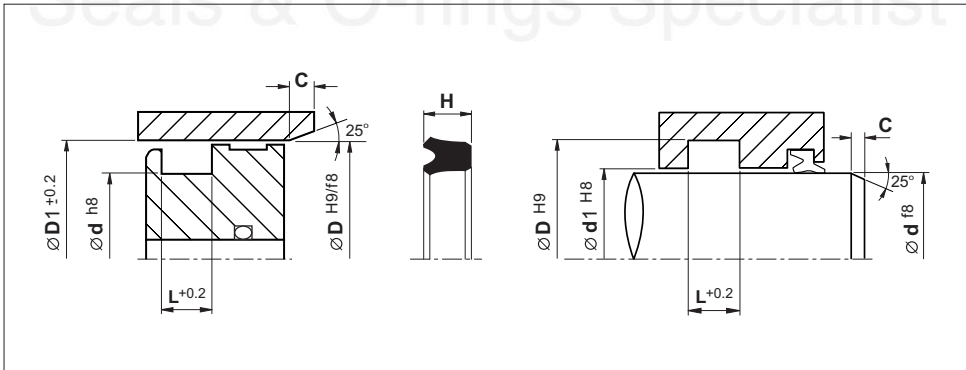


KY

Material	Pressure (Bar)	Temp. (°c)	Speed (m/s)
NBR	150 (300)	-10 +80	1 (0.5)

- Highly stable performance.
- Usable either on pistons or rods.
- Excellent wear resistance.

Installation Recommendation



Surface roughness	Ra	Rt	Chamfers	
Sliding surface	$\leq 0.3 \mu\text{m}$	$\leq 4 \mu\text{m}$	D	C
Surface of housing	$\leq 1.8 \mu\text{m}$	$\leq 10 \mu\text{m}$	< 45	3.0
Sides of housing	$\leq 3.0 \mu\text{m}$	$\leq 16 \mu\text{m}$	45-80	3.5
			80-140	4.0
			140-275	5.0
			275-532	6.0

Rubber U-Cup

(Metric Size)

Rod/ Groove Dia.	Bore/ Groove Dia.	Seal Height	Groove Width		Diameter		Reference (For order processing)	Reference (For order processing)
			L	L1	D1	d1		
6.3	16.3	7.5	8.5	10.5	15.3	6.7		UC 006.3-016.3-07.5 KY
7.1	17.1	7.5	8.5	10.5	16.1	7.5		UC 007.1-017.1-07.5 KY
8.0	18.0	7.5	8.5	10.5	17.0	8.4		UC 008-018-07.5 KY
9.0	19.0	7.5	8.5	10.5	18.0	9.4		UC 009-019-07.5 KY
10.0	18.0	5.0	5.7	6.7	17.0	10.4	SKY-010-018-05	
10.0	20.0	7.5	8.5	10.5	19.0	10.4		UC 010-020-07.5 KY
11.2	21.2	7.5	8.5	10.5	20.2	11.6		UC 011.2-021.2-07.5 KY
12.0	20.0	5.0	5.7	6.7	19.0	12.4	SKY-012-020-05	
12.5	20.0	5.0	5.7	6.7	19.0	12.9	SKY-012.5	
12.5	22.5	7.5	8.5	10.5	21.5	12.9		UC 012.5-022.5-07.5 KY
14.0	22.0	5.0	5.7	6.7	21.0	14.4	SKY-014	
14.0	24.0	7.5	8.5	10.5	23.0	14.4		UC 014-024-07.5 KY
15.0	25.0	6.5	7.5	9.5	24.0	15.4		UC 015-025-06.5 KY
15.0	28.0	10.0	11.0	13.5	27.0	15.4		UC 015-028-10 KY
16.0	24.0	5.0	5.7	6.7	23.0	16.4	SKY-016	
16.0	26.0	7.5	8.5	10.5	25.0	16.4		UC 016-026-07.5 KY
17.0	25.0	5.0	5.7	6.7	24.0	17.4	SKY-017-025-05	
18.0	26.0	5.0	5.7	6.7	25.0	18.4	SKY-018	
18.0	28.0	8.0	9.0	11.0	27.0	18.4		UC 018-028-08 KY
18.0	31.0	10.0	11.0	13.5	30.0	18.4		UC 018-031-10 KY
18.5	31.5	10.0	11.0	13.5	30.5	18.9		UC 018.5-031.5-10 KY
20.0	28.0	5.0	5.7	6.7	27.0	20.4	SKY-020	
20.0	30.0	6.0	7.0	8.5	29.0	20.4	SKY-020-030-06	
20.0	33.0	10.0	11.0	13.5	32.0	20.4		UC 020-033-10 KY
20.0	35.0	9.5	10.5	13.0	34.0	20.4		UC 020-035-09.5 KY
22.0	30.0	5.0	5.7	6.7	29.0	22.4	SKY-022	
22.0	35.0	8.0	9.0	11.5	34.0	22.4		UC 022-035-08 KY
22.0	35.0	10.0	11.0	13.5	34.0	22.4		UC 022-035-10 KY
22.4	30.0	5.0	5.7	6.7	29.0	22.8	SKY-022.4	
22.4	35.4	10.0	11.0	13.5	34.4	22.8		UC 022.4-035.4-10 KY
23.5	31.5	5.0	5.7	6.7	30.5	23.9	SKY-023.5	
24.0	32.0	5.0	5.7	6.7	31.0	24.4	SKY-024-032-05	
25.0	33.0	5.0	5.7	6.7	32.0	25.4	SKY-025	
25.0	35.0	8.0	9.0	11.0	34.0	25.4		UC 025-035-08 KY
25.0	38.0	10.0	11.0	13.5	37.0	25.4		UC 025-038-10 KY
26.0	34.0	5.0	5.7	6.7	33.0	26.4	SKY-026-034-05	
27.0	35.0	5.0	5.7	6.7	34.0	27.4	SKY-027-035-05	
27.0	40.0	10.0	11.0	13.5	39.0	27.4		UC 027-040-10 KY
28.0	35.5	5.0	5.7	6.7	34.5	28.4	SKY-028	
28.0	36.0	5.0	5.7	6.7	35.0	28.4	SKY-028A	

SKY packing shown in italic-bold letter is also available in FPM material.

Rubber U-Cup

(Metric Size)

Rod/ Groove Dia.	Bore/ Groove Dia.	Seal Height	Groove Width		Diameter		Reference (For order processing)	Reference (For order processing)
			L	L1	D1	d1		
28.0	40.0	10.0	11.0	13.5	39.0	28.4	SKY-030-038-05 SKY-030	UC 028-040-10 KY
28.0	41.0	10.0	11.0	13.5	40.0	28.4		UC 028-041-10 KY
30.0	38.0	5.0	5.7	6.7	37.0	30.5		
30.0	40.0	6.0	7.0	8.5	39.0	30.5		
30.0	43.0	10.0	11.0	13.5	42.0	30.5		UC 030-043-10 KY
30.0	45.0	10.0	11.0	14.0	44.0	30.5	SKY-031.5	UC 030-045-10 KY
31.5	41.5	6.0	7.0	8.5	40.5	32.0		
31.5	44.5	10.0	11.0	13.5	43.5	32.0		UC 031.5-044.5-10 KY
32.0	42.0	6.0	7.0	8.5	41.0	32.5		SKY-032
32.0	45.0	10.0	11.0	13.5	44.0	32.5		UC 032-045-10 KY
34.0	50.0	12.0	13.0	16.0	48.0	34.5	SKY-035	UC 034-050-12 KY
35.0	45.0	6.0	7.0	8.5	44.0	35.5		
35.0	50.0	10.0	11.0	14.0	48.0	35.5		UC 035-050-10 KY
35.0	50.0	12.0	13.0	16.0	48.0	35.5		UC 035-050-12 KY
35.0	51.0	12.0	13.0	16.0	49.0	35.5		UC 035-051-12 KY
35.5	45.0	6.0	7.0	8.5	44.0	36.0	SKY-035.5	UC 035.5-051.5-12 KY
35.5	45.5	6.0	7.0	8.5	44.5	36.0		
35.5	51.5	12.0	13.0	16.0	49.5	36.0		
36.0	46.0	6.0	7.0	8.5	45.0	36.5	SKY-036	
36.0	52.0	12.0	13.0	16.0	50.0	36.5	UC 036-052-12 KY	
38.0	48.0	6.0	7.0	8.5	47.0	38.5	SKY-038-048-06	SKY-040
40.0	50.0	6.0	7.0	8.5	49.0	40.5		
40.0	55.0	10.0	11.0	14.0	53.0	40.5	UC 040-055-10 KY	
40.0	56.0	12.0	13.0	16.0	54.0	40.5	UC 040-056-12 KY	
40.0	60.0	12.0	13.0	16.0	58.0	40.5	UC 040-060-12 KY	
44.0	60.0	12.0	13.0	16.0	58.0	44.5	SKY-045 SKY-045A	UC 044-060-12 KY
45.0	55.0	6.0	7.0	8.5	54.0	45.5		
45.0	56.0	7.0	8.0	9.5	55.0	45.5		
45.0	60.0	10.0	11.0	14.0	58.0	45.5		UC 045-060-10 KY
45.0	60.0	12.0	13.0	16.0	58.0	45.5		UC 045-060-12 KY
45.0	61.0	12.0	13.0	16.0	59.0	45.5	SKY-050	UC 045-061-12 KY
47.0	63.0	12.0	13.0	16.0	61.0	47.5		UC 047-063-12 KY
50.0	60.0	6.0	7.0	8.5	59.0	50.5		
50.0	65.0	10.0	11.0	14.0	63.0	50.5		UC 050-065-10 KY
50.0	66.0	12.0	13.0	16.0	64.0	50.5		UC 050-066-12 KY
50.0	70.0	12.0	13.0	16.0	68.0	50.5	SKY-053	UC 050-070-12 KY
53.0	63.0	6.0	7.0	8.5	62.0	53.6		
53.0	69.0	12.0	13.0	16.0	67.0	53.6		UC 053-069-12 KY
54.0	70.0	12.0	13.0	16.0	68.0	54.6		UC 054-070-12 KY
55.0	65.0	6.0	7.0	8.5	64.0	55.6		SKY-055

SKY packing shown in italic-bold letter is also available in FPM material.

Rubber U-Cup

(Metric Size)

Rod/ Groove Dia.	Bore/ Groove Dia.	Seal Height	Groove Width		Diameter		Reference (For order processing)	Reference (For order processing)
			L	L1	D1	d1		
55.0	71.0	12.0	13.0	16.0	69.0	55.6		UC 055-071-12 KY
55.0	72.0	12.0	13.0	16.0	70.0	55.6		UC 055-072-12 KY
55.0	75.0	12.0	13.0	16.0	73.0	55.6		UC 055-075-12 KY
55.0	80.0	15.0	16.0	19.0	78.0	55.6		UC 055-080-15 KY
56.0	66.0	6.0	7.0	8.5	65.0	56.6	SKY-056	
56.0	72.0	12.0	13.0	16.0	70.0	56.6		UC 056-072-12 KY
58.0	68.0	6.0	7.0	8.5	67.0	58.6	SKY-058-068-06	
60.0	70.0	6.0	7.0	8.5	69.0	60.6	SKY-060	
60.0	71.0	7.0	8.0	9.5	70.0	60.6	SKY-060A	
60.0	76.0	12.0	13.0	16.0	74.0	60.6		UC 060-076-12 KY
60.0	80.0	12.0	13.0	16.0	78.0	60.6		UC 060-080-12 KY
61.0	71.0	6.0	7.0	8.5	70.0	61.6	SKY-061-071-06	
63.0	73.0	6.0	7.0	8.5	72.0	63.6	SKY-063	
63.0	79.0	12.0	13.0	16.0	77.0	63.6		UC 063-079-12 KY
64.0	80.0	12.0	13.0	16.0	78.0	64.6		UC 064-080-12 KY
65.0	75.0	6.0	7.0	8.5	74.0	65.6	SKY-065	
65.0	81.0	12.0	13.0	16.0	79.0	65.6		UC 065-081-12 KY
67.0	77.0	6.0	7.0	8.5	76.0	67.6	SKY-067	
67.0	87.0	15.0	16.0	19.0	85.0	67.6		UC 067-087-15 KY
70.0	80.0	6.0	7.0	8.5	79.0	70.6	SKY-070	
70.0	90.0	12.0	13.0	16.0	88.0	70.6		UC 070-090-12 KY
70.0	90.0	15.0	16.0	19.0	88.0	70.6		UC 070-090-15 KY
71.0	80.0	6.0	7.0	8.5	79.0	71.6	SKY-071	
71.0	91.0	15.0	16.0	19.0	89.0	71.6		UC 071-091-15 KY
75.0	85.0	6.0	7.0	8.5	84.0	75.6	SKY-075	
75.0	95.0	12.0	13.0	16.0	93.0	75.6		UC 075-095-12 KY
75.0	95.0	15.0	16.0	19.0	93.0	75.6		UC 075-095-15 KY
80.0	90.0	6.0	7.0	8.5	89.0	80.6	SKY-080	
80.0	100.0	12.0	13.0	16.0	98.0	80.6		UC 080-100-12 KY
80.0	100.0	15.0	16.0	19.0	98.0	80.6		UC 080-100-15 KY
85.0	95.0	6.0	7.0	8.5	94.0	85.6	SKY-085-095-06	
85.0	100.0	9.0	10.0	12.0	98.0	85.6	SKY-085	
85.0	105.0	12.0	13.0	16.0	103.0	85.6		UC 085-105-12 KY
85.0	105.0	15.0	16.0	19.0	103.0	85.6		UC 085-105-15 KY
86.0	100.0	8.5	9.5	11.5	98.0	86.6	SKY-086	
89.0	104.0	9.0	10.0	12.0	102.0	89.6	SKY-089-104-09	
90.0	100.0	6.0	7.0	8.5	99.0	90.6	SKY-090-100-06	
90.0	105.0	9.0	10.0	12.0	103.0	90.6	SKY-090	
90.0	110.0	12.0	13.0	16.0	108.0	90.6		UC 090-110-12 KY
90.0	110.0	15.0	16.0	19.0	108.0	90.6		UC 090-110-15 KY

SKY packing shown in italic-bold letter is also available in FPM material.

Rubber U-Cup

(Metric Size)

Rod/ Groove Dia.	Bore/ Groove Dia.	Seal Height	Groove Width		Diameter		Reference (For order processing)	Reference (For order processing)
			L	L1	D1	d1		
92.0	112.0	15.0	16.0	19.0	110.0	92.6		UC 092-112-15 KY
95.0	110.0	9.0	10.0	12.0	108.0	95.6	SKY-095	
95.0	115.0	15.0	16.0	19.0	113.0	95.6		UC 095-115-15 KY
96.0	111.0	9.0	10.0	12.0	109.0	96.6	SKY-096-111-09	
98.0	112.0	8.5	9.5	11.5	110.0	98.6	SKY-098	
100.0	115.0	9.0	10.0	12.0	113.0	100.6	SKY-100	
100.0	120.0	15.0	16.0	19.0	118.0	100.6		UC 100-120-15 KY
100.0	125.0	15.0	16.0	19.0	123.0	100.6		UC 100-125-15 KY
105.0	120.0	9.0	10.0	12.0	118.0	105.6	SKY-105-120-09	
105.0	125.0	15.0	16.0	19.0	123.0	105.6		UC 105-125-15 KY
106.0	120.0	8.5	9.5	11.5	118.0	106.6	SKY-106	
106.0	126.0	15.0	16.0	19.0	124.0	106.6		UC 106-126-15 KY
110.0	122.0	7.2					SKY-110-122-07.2	
110.0	125.0	9.0	10.0	12.0	123.0	110.6	SKY-110-125-09	
110.0	130.0	15.0	16.0	19.0	128.0	110.6		UC 110-130-15 KY
112.0	125.0	8.5	9.5	11.5	123.0	112.6	SKY-112	
112.0	125.0	9.0	10.0	12.0	123.0	112.6	SKY-112A	
112.0	132.0	15.0	16.0	19.0	130.0	112.6		UC 112-132-15 KY
115.0	130.0	8.5	9.5	11.5	128.0	115.6	SKY-115-130-08.5	
115.0	135.0	15.0	16.0	19.0	133.0	115.6		UC 115-135-15 KY
118.0	132.0	8.5	9.5	11.5	130.0	118.6	SKY-118	
118.0	138.0	15.0	16.0	19.0	136.0	118.6		UC 118-138-15 KY
119.0	133.0	8.5	9.5	11.5	131.0	119.6	SKY-119-133-08.5	
120.0	135.0	9.0	10.0	12.0	133.0	120.6	SKY-120-135-09	
120.0	140.0	15.0	16.0	19.0	138.0	120.6		UC 120-140-15 KY
125.0	140.0	9.0	10.0	12.0	138.0	125.6	SKY-125	
125.0	150.0	19.0	21.0	24.0	147.0	125.7		UC 125-150-19 KY
130.0	145.0	9.0	10.0	12.0	143.0	130.6	SKY-130-145-09	
130.0	150.0	15.0	16.0	19.0	147.0	130.7		UC 130-150-15 KY
130.0	155.0	19.0	21.0	24.0	152.0	130.7		UC 130-155-19 KY
132.0	145.0	8.5	9.5	11.5	143.0	132.6	SKY-132	
132.0	157.0	19.0	21.0	24.0	154.0	132.7		UC 132-157-19 KY
135.0	155.0	16.0	17.0	20.0	152.0	135.7		UC 135-155-16 KY
135.0	160.0	15.7	17.0	20.0	157.0	135.7		UC 135-160-15.7 KY
135.0	160.0	19.0	21.0	24.0	157.0	135.7		UC 135-160-19 KY
136.0	150.0	8.5	9.5	11.5	148.0	136.6	SKY-136	
140.0	155.0	9.0	10.0	12.0	153.0	140.6	SKY-140	
140.0	160.0	15.0	16.0	19.0	157.0	140.7		UC 140-160-15 KY
140.0	165.0	19.0	21.0	24.0	162.0	140.7		UC 140-165-19 KY
145.0	160.0	9.0	10.0	12.0	158.0	145.6	SKY-145	

SKY packing shown in italic-bold letter is also available in FPM material.

(Metric Size)

Rod/ Groove Dia.	Bore/ Groove Dia.	Seal Height	Groove Width		Diameter		Reference (For order processing)	Reference (For order processing)
			L	L1	D1	d1		
145.0	170.0	19.0	21.0	24.0	167.0	145.7		UC 145-170-19 KY
150.0	165.0	9.0	10.0	12.0	163.0	150.6	SKY-150	
150.0	175.0	19.0	21.0	24.0	172.0	150.7		UC 150-175-19 KY
155.0	170.0	9.0	10.0	12.0	168.0	155.6	SKY-155	
155.0	180.0	15.7	17.0	20.0	177.0	155.7		UC 155-180-15.7 KY
155.0	180.0	19.0	21.0	24.0	177.0	155.7		UC 155-180-19 KY
158.0	170.0	7.2					SKY-158-170-07.2	
160.0	175.0	9.0	10.0	12.0	173.0	160.6	SKY-160	
160.0	185.0	19.0	21.0	24.0	182.0	160.7		UC 160-185-19 KY
165.0	177.0	7.2					SKY-165-177-07.2	
165.0	180.0	9.0	10.0	12.0	178.0	165.6	SKY-165	
165.0	190.0	19.0	21.0	24.0	187.0	165.7		UC 165-190-19 KY
170.0	185.0	9.0	10.0	12.0	183.0	170.6	SKY-170-185-09	
170.0	195.0	19.0	21.0	24.0	192.0	170.7		UC 170-195-19 KY
175.0	190.0	9.0	10.0	12.0	188.0	175.6	SKY-175	
175.0	200.0	15.7	17.0	20.0	197.0	175.7		UC 175-200-15.7 KY
175.0	200.0	19.0	21.0	24.0	197.0	175.7		UC 175-200-19 KY
180.0	200.0	12.0	13.0	15.5	198.0	180.7	SKY-180	
180.0	205.0	19.0	21.0	24.0	202.0	180.7		UC 180-205-19 KY
185.0	205.0	12.0	13.0	15.5	203.0	185.8	SKY-185-205-12	
190.0	202.0	7.2					SKY-190-202-07.2	
190.0	210.0	12.0	13.0	15.5	208.0	190.8	SKY-190-210-12	
190.0	215.0	19.0	21.0	24.0	212.0	190.8		UC 190-215-19 KY
195.0	215.0	12.0	13.0	15.5	213.0	195.8	SKY-195-215-12	
195.0	220.0	19.0	21.0	24.0	217.0	195.8		UC 195-220-19 KY
199.0	224.0	15.7	17.0	20.0	221.0	199.8		UC 199-224-15.7 KY
199.0	224.0	19.0	21.0	24.0	221.0	199.9		UC 199-224-19 KY
200.0	212.0	7.2					SKY-200-212-07.2	
200.0	220.0	12.0	13.0	15.5	218.0	200.8	SKY-200	
200.0	225.0	19.0	21.0	24.0	222.0	200.8		UC 200-225-19 KY
204.0	224.0	12.0	13.0	15.5	222.0	204.8	SKY-204	
205.0	230.0	19.0	21.0	24.0	227.0	205.8		UC 205-230-19 KY
208.0	220.0	7.2					SKY-208-220-07.2	
210.0	230.0	12.0	13.0	15.5	228.0	210.8	SKY-210-230-12	
210.0	235.0	18.0	20.0	23.0	232.0	210.8		UC 210-235-18 KY
210.0	235.0	19.0	21.0	24.0	232.0	210.8		UC 210-235-19 KY
212.0	237.0	19.0	21.0	24.0	234.0	212.8		UC 212-237-19 KY
215.0	235.0	12.0	13.0	15.5	233.0	215.8	SKY-215-235-12	
215.0	240.0	19.0	21.0	24.0	237.0	215.8		UC 215-240-19 KY
218.0	230.0	7.2					SKY-218-230-07.2	

SKY packing shown in italic-bold letter is also available in FPM material.

Rubber U-Cup

(Metric Size)

Rod/ Groove Dia.	Bore/ Groove Dia.	Seal Height	Groove Width		Diameter		Reference (For order processing)	Reference (For order processing)	
			L	L1	D1	d1			
220.0	240.0	12.0	13.0	15.5	238.0	220.8	SKY-220-240-12		
220.0	250.0	18.0	20.0	23.0	247.0	220.8	SKY-224	UC 220-250-18 KY	
224.0	244.0	12.0	13.0	15.5	242.0	224.8		UC 224-249-19 KY	
224.0	249.0	19.0	21.0	24.0	246.0	224.8		UC 225-250-18 KY	
225.0	250.0	18.0	20.0	23.0	247.0	225.8		UC 225-250-19 KY	
225.0	250.0	19.0	21.0	24.0	247.0	225.8			
228.0	241.7	7.2					SKY-228-241.7-07.2		
230.0	250.0	12.0	13.0	15.5	248.0	230.8	SKY-230		
230.0	255.0	19.0	21.0	24.0	252.0	230.8		UC 230-255-19 KY	
235.0	255.0	12.0	13.0	15.5	253.0	235.8	SKY-235-255-12		
235.0	260.0	19.0	21.0	24.0	257.0	235.8		UC 235-260-19 KY	
236.0	261.0	19.0	21.0	24.0	258.0	236.8		UC 236-261-19 KY	
237.0	257.0	12.0	13.0	15.5	255.0	237.8	SKY-237-257-12		
240.0	252.0	7.2					SKY-240-252-07.2		
240.0	260.0	12.0	13.0	15.5	258.0	240.8	SKY-240-260-12		
240.0	265.0	19.0	21.0	24.0	262.0	240.8		UC 240-265-19 KY	
245.0	265.0	12.0	13.0	15.5	263.0	245.8	SKY-245-265-12		
245.0	270.0	19.0	21.0	24.0	267.0	245.8		UC 245-270-19 KY	
250.0	270.0	12.0	13.0	15.5	268.0	250.8	SKY-250		
250.0	275.0	19.0	21.0	24.0	272.0	250.8		UC 250-275-19 KY	
250.0	280.0	22.0	24.0	27.0	277.0	250.8		UC 250-280-22 KY	
255.0	280.0	19.0	21.0	24.0	277.0	255.8		UC 255-280-19 KY	
260.0	272.0	7.2					SKY-260-272-07.2		
260.0	280.0	14.0	15.0	18.0	278.0	260.8	SKY-260		
260.0	290.0	22.0	24.0	27.0	287.0	260.8		UC 260-290-22 KY	
263.0	275.0	7.2					SKY-263-275-07.2		
265.0	297.0	24.0	26.0	29.0	294.0	265.8		UC 265-297-24 KY	
270.0	300.0	18.0	20.0	23.0	297.0	270.8		UC 270-300-18 KY	
270.0	300.0	22.0	24.0	27.0	297.0	270.8		UC 270-300-22 KY	
270.0	300.0	24.0	26.0	29.0	297.0	270.8		UC 270-300-24 KY	
275.0	300.0	19.0	21.0	24.0	297.0	275.8	SKY-280	UC 275-300-19 KY	
280.0	300.0	14.0	15.0	18.0	298.0	280.8			
280.0	310.0	22.0	24.0	27.0	307.0	280.8			UC 280-310-22 KY
280.0	312.0	24.0	26.0	29.0	309.0	280.8			UC 280-312-24 KY
283.0	315.0	24.0	26.0	29.0	312.0	283.8			UC 283-315-24 KY
285.0	315.0	22.0	24.0	27.0	312.0	285.8		UC 285-315-22 KY	
290.0	310.0	14.0	15.0	18.0	308.0	290.8	SKY-290-310-14		
290.0	320.0	18.0	20.0	23.0	317.0	290.8		UC 290-320-18 KY	
290.0	320.0	22.0	24.0	27.0	317.0	290.8		UC 290-320-22 KY	
295.0	315.0	14.0	15.0	18.0	313.0	295.8	SKY-295		

SKY packing shown in italic-bold letter is also available in FPM material.

Rubber U-Cup

(Metric Size)

Rod/ Groove Dia.	Bore/ Groove Dia.	Seal Height H	Groove Width		Diameter		Reference (For order processing)	Reference (For order processing)
			L	L1	D1	d1		
300.0	312.0	7.2					SKY-300-312-07.2	UC 300-332-24 KY
300.0	320.0	12.0	13.0	16.0	318.0	300.8	SKY-300-320-12	
300.0	332.0	24.0	26.0	29.0	329.0	300.8		
308.0	320.0	7.2					SKY-308-320-07.2	
310.0	330.0	14.0	15.0	18.0	328.0	311.0	SKY-310-330-14	
310.0	340.0	22.0	24.0	27.0	337.0	311.0		UC 310-340-22 KY
315.0	335.0	14.0	15.0	18.0	333.0	316.0	SKY-315	UC 315-347-24 KY
315.0	347.0	24.0	26.0	29.0	344.0	316.0		
316.9	330.0	7.2					SKY-316.9-330-07.2	
323.0	355.0	24.0	26.0	29.0	352.0	324.0		UC 323-355-24 KY
330.0	360.0	22.0	24.0	27.0	357.0	331.0		UC 330-360-22 KY
335.0	355.0	14.0	15.0	18.0	353.0	336.0	SKY-335	
335.0	367.0	24.0	26.0	29.0	364.0	336.0		UC 335-367-24 KY
340.0	370.0	22.0	24.0	27.0	367.0	341.0		UC 340-370-22 KY
340.0	372.0	24.0	26.0	29.0	369.0	341.0		UC 340-372-24 KY
348.0	380.0	24.0	26.0	29.0	377.0	349.0		UC 348-380-24 KY
355.0	375.0	14.0	15.0	18.0	373.0	356.0	SKY-355	
355.0	387.0	24.0	26.0	29.0	384.0	356.0		UC 355-387-24 KY
360.0	392.0	24.0	26.0	29.0	389.0	361.0		UC 360-392-24 KY
365.0	395.0	22.0	24.0	27.0	392.0	366.0		UC 365-395-22 KY
368.0	380.0	7.2					SKY-368-380-07.2	
368.0	400.0	24.0	26.0	29.0	397.0	369.0		UC 368-400-24 KY
375.0	407.0	24.0	26.0	29.0	404.0	376.0		UC 375-407-24 KY
380.0	400.0	14.0	15.0	18.0	398.0	381.0	SKY-380	
388.0	400.0	7.2					SKY-388-400-07.2	
388.0	420.0	24.0	26.0	29.0	417.0	389.0		UC 388-420-24 KY
394.5	406.5	7.2					SKY-394.5-406.5-07.2	
400.0	420.0	14.0	15.0	18.0	418.0	401.0	SKY-400	
400.0	432.0	24.0	26.0	29.0	429.0	401.0		UC 400-432-24 KY
415.0	450.0	25.0	27.0	30.0	447.0	416.0		UC 415-450-25 KY
418.0	430.0	7.2					SKY-418-430-07.2	
420.0	455.0	25.0	27.0	30.0	452.0	421.0		UC 420-455-25 KY
425.0	457.0	24.0	26.0	29.0	454.0	426.0		UC 425-457-24 KY
428.0	440.0	7.2					SKY-428-440-07.2	
430.0	450.0	14.0	15.0	18.0	448.0	431.0	SKY-430	
450.0	470.0	14.0	15.0	18.0	468.0	451.0	SKY-450	
450.0	482.0	24.0	26.0	29.0	479.0	451.0		UC 450-482-24 KY
468.0	480.0	7.2					SKY-468-480-07.2	
475.0	507.0	24.0	26.0	29.0	504.0	476.0		UC 475-507-24 KY
480.0	500.0	14.0	15.0	18.0	498.0	481.0	SKY-480	

SKY packing shown in italic-bold letter is also available in FPM material.

Rubber U-Cup

(Metric Size)

Rod/ Groove Dia.	Bore/ Groove Dia.	Seal Height	Groove Width		Diameter		Reference (For order processing)	Reference (For order processing)
			L	L1	D1	d1		
480.0	515.0	25.0	27.0	30.0	512.0	481.0	SKY-500-525-17	UC 480-515-25 KY
500.0	525.0	17.0	18.0	21.0	522.0	501.0		UC 500-532-24 KY
500.0	532.0	24.0	26.0	29.0	529.0	501.0		UC 505-545-30 KY
505.0	545.0	30.0	33.0	37.0	542.0	506.0		UC 510-542-24 KY
510.0	542.0	24.0	26.0	29.0	539.0	511.0		
510.0	550.0	30.0	33.0	37.0	546.0	511.0	SKY-521-533-07.2	UC 510-550-30 KY
520.0	560.0	30.0	33.0	37.0	556.0	521.0		UC 520-560-30 KY
521.0	533.0	7.2						
530.0	570.0	30.0	33.0	37.0	566.0	531.0	SKY-538-550-07.2	UC 530-570-30 KY
538.0	550.0	7.2						
540.0	560.0	14.0	15.0	18.0	558.0	541.0	SKY-540-560-14	
550.0	570.0	13.0	14.0	17.0	568.0	551.0	SKY-550-570-13	
560.0	600.0	30.0	33.0	37.0	596.0	561.0		UC 560-600-30 KY
570.0	610.0	30.0	33.0	37.0	606.0	571.0		UC 570-610-30 KY
580.0	620.0	30.0	33.0	37.0	616.0	581.0		UC 580-620-30 KY
600.0	640.0	30.0	33.0	37.0	636.0	601.0		UC 600-640-30 KY
610.0	630.0	14.0	15.0	18.0	628.0	611.0	SKY-610-630-14	
630.0	655.0	17.0	18.0	21.0	652.0	631.0	SKY-630-655-17	
630.0	670.0	30.0	33.0	37.0	666.0	631.0		UC 630-670-30 KY
660.0	690.0	18.0	19.0	22.0	687.0	661.0	SKY-660-690-18	
660.0	700.0	30.0	33.0	37.0	696.0			UC 660-700-30 KY
690.0	730.0	30.0	33.0	37.0	726.0			UC 690-730-30 KY
700.0	740.0	30.0	33.0	37.0	736.0			UC 700-740-30 KY
720.0	760.0	30.0	33.0	37.0	756.0			UC 720-760-30 KY
740.0	780.0	30.0	33.0	37.0	776.0			UC 740-780-30 KY
770.0	800.0	18.0	19.0	22.0	797.0	771.0	SKY-770-800-18	
780.0	820.0	30.0	33.0	33.0	816.0			UC 780-820-30 KY
790.0	830.0	30.0	33.0	37.0	826.0			UC 790-830-30 KY
830.0	870.0	30.0	33.0	37.0	866.0			UC 830-870-30 KY
900.0	940.0	30.0	33.0	37.0	936.0			UC 900-940-30 KY
960.0	1000.0	30.0	33.0	37.0	996.0			UC 960-1000-30 KY
960.0	1020.0	45.0	48.0	53.0	1014.0			UC 960-1020-45 KY
1020.0	1080.0	45.0	48.0	53.0	1074.0			UC 1020-1080-45 KY
1090.0	1150.0	45.0	48.0	53.0	1144.0			UC 1090-1150-45 KY
1210.0	1270.0	45.0	48.0	53.0	1264.0			UC 1210-1270-45 KY
1340.0	1400.0	45.0	48.0	53.0	1394.0			UC 1340-1400-45 KY

SKY packing shown in *italic-bold* letter is also available in FPM material.