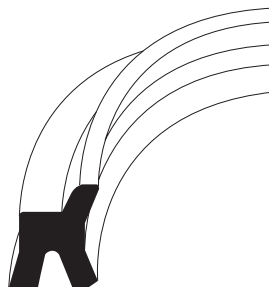


Wipers

LBH-F

(Metric Size)

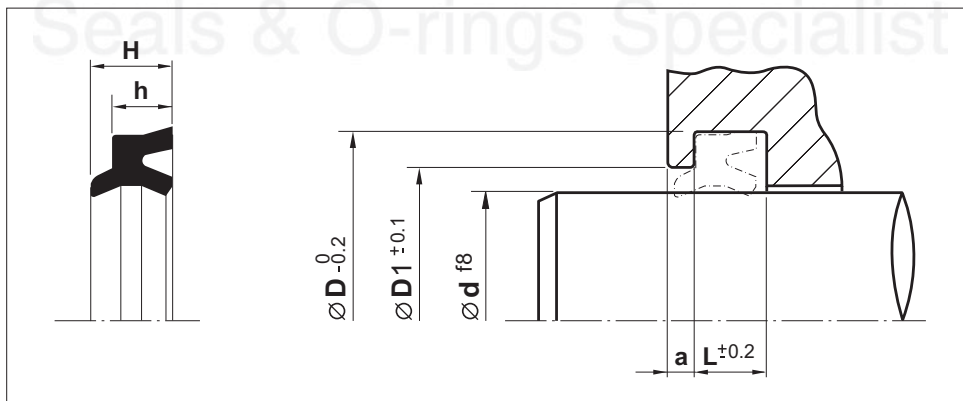


LBH-F

Material	Temp. (°c)	Speed (m/s)
FPM	-10 +150	0.5

- Prevent entry of dust.
- Fitted into a intergrate groove.
- Wide range in temperature.
- Prevent oil scraping off.
- Long service life.

Installation Recommendation



Surface roughness

Ra

Rt

Sliding surface

≤ 0.3 μm

≤ 4 μm

Surface of housing

≤ 1.8 μm

≤ 10 μm

Sides of housing

≤ 3.0 μm

≤ 16 μm

Wiper - LBH

(Metric Size)

Rod Dia.	Groove Dia.	Groove Width.	Seal Step Height	Seal Height	Reference (For order processing)	Rod Dia.	Groove Dia.	Groove Width.	Seal Step Height	Seal Height	Reference (For order processing)
d	D	L	h	H		d	D	L	h	H	
12.0	20.0	5.0	4.5	6.0	LBH-12	85.0	95.0	7.0	6.0	8.0	LBH-85
12.5	20.5	5.0	4.5	6.0	LBH-12.5	90.0	100.0	7.0	6.0	8.0	LBH-90
14.0	22.0	5.0	4.5	6.0	LBH-14	95.0	105.0	7.0	6.0	8.0	LBH-95
16.0	24.0	5.0	4.5	6.0	LBH-16	100.0	110.0	7.0	6.0	8.0	LBH-100
18.0	26.0	5.0	4.5	6.0	LBH-18	105.0	115.0	7.0	6.0	8.0	LBH-105
20.0	28.0	5.0	4.5	6.0	LBH-20	106.0	116.0	7.0	6.0	8.0	LBH-106
22.0	30.0	5.0	4.5	6.0	LBH-22	110.0	120.0	7.0	6.0	8.0	LBH-110
22.4	30.4	5.0	4.5	6.0	LBH-22.4	112.0	122.0	7.0	6.0	8.0	LBH-112
25.0	33.0	5.0	4.5	6.0	LBH-25	115.0	125.0	7.0	6.0	8.0	LBH-115
28.0	36.0	5.0	4.5	6.0	LBH-28	118.0	128.0	7.0	6.0	8.0	LBH-118
30.0	38.0	6.0	5.0	6.5	LBH-30	120.0	130.0	7.0	6.0	8.0	LBH-120
31.5	39.5	6.0	5.0	6.5	LBH-31.5	120.0	133.0	8.0	7.0	9.5	LBH-120
32.0	40.0	6.0	5.0	6.5	LBH-32	125.0	138.0	8.0	7.0	9.5	LBH-125
35.0	43.0	6.0	5.0	6.5	LBH-35	132.0	145.0	8.0	7.0	9.5	LBH-132
35.5	43.5	6.0	5.0	6.5	LBH-35.5	140.0	153.0	8.0	7.0	9.5	LBH-140
36.0	44.0	6.0	5.0	6.5	LBH-36	145.0	158.0	8.0	7.0	9.5	LBH-145
40.0	48.0	6.0	5.0	6.5	LBH-40	150.0	163.0	8.0	7.0	9.5	LBH-150
45.0	53.0	6.0	5.0	6.5	LBH-45	155.0	168.0	8.0	7.0	9.5	LBH-155
50.0	58.0	6.0	5.0	6.5	LBH-50	160.0	173.0	8.0	7.0	9.5	LBH-160
53.0	61.0	6.0	5.0	6.5	LBH-53	160.0	174.0	8.0	7.0	9.5	LBH-160A
55.0	63.0	6.0	5.0	6.5	LBH-55	165.0	178.0	8.0	7.0	9.5	LBH-165
56.0	64.0	6.0	5.0	6.5	LBH-56	170.0	183.0	8.0	7.0	9.5	LBH-170A
60.0	68.0	6.0	5.0	6.5	LBH-60	180.0	193.0	8.0	7.0	9.5	LBH-180
63.0	71.0	6.0	5.0	6.5	LBH-63	200.0	213.0	8.0	7.0	9.5	LBH-200
65.0	73.0	6.0	5.0	6.5	LBH-65						
67.0	75.0	6.0	5.0	6.5	LBH-67						
70.0	80.0	7.0	6.0	8.0	LBH-70						
71.0	81.0	7.0	6.0	8.0	LBH-71						
75.0	85.0	7.0	6.0	8.0	LBH-75						
80.0	90.0	7.0	6.0	8.0	LBH-80						

LBH packing shown in italic-bold letter is also available in FPM material.