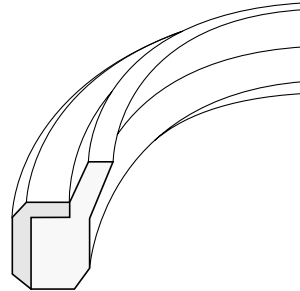


Wipers

ME3, DKI

(Metric Size)

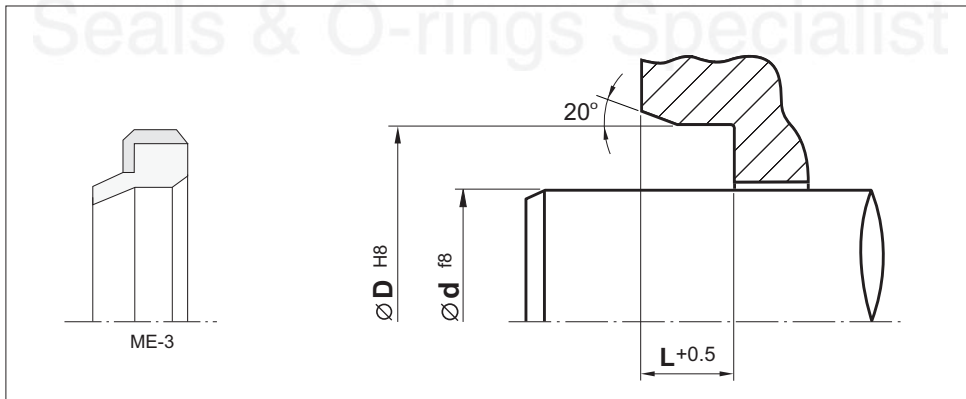


ME-3, DKI

Material	Temp. (°c)	Speed (m/s)
PU - Metal	-40 +80	0.5

- Space saving construction.
- Heavy duty type.
- Economical solution.
- Abrasion resistant.

Installation Recommendation



Surface roughness	Ra	Rt
Sliding surface	$\leq 0.3 \mu\text{m}$	$\leq 4 \mu\text{m}$
Surface of housing	$\leq 1.8 \mu\text{m}$	$\leq 10 \mu\text{m}$
Sides of housing	$\leq 3.0 \mu\text{m}$	$\leq 16 \mu\text{m}$

Metal Case Wiper - ME1, ME3, DKI



(Metric Size)

Rod Dia.	Groove Dia.	Groove Width	Reference (For order processing)	Rod Dia.	Groove Dia.	Groove Width	Reference (For order processing)
d	D	L		d	D	L	
6.3	16.0	5.0	ME-3 006.3-016-05	64.0	78.0	8.0	ME-3 064-078-08
10.0	20.0	5.0	ME-3 010-020-05	65.0	77.0	7.0	ME-3 065-077-07
11.2	21.0	5.0	ME-3 011.2-021-05	65.0	79.0	8.0	ME-1 065-079-08
12.5	23.0	5.0	ME-3 012.5-023-05	65.0	79.0	8.0	ME-3 065-079-08
14.0	24.0	5.0	ME-3 014-024-05	67.0	81.0	8.0	ME-3 067-081-08
15.0	25.0	5.0	ME-3 015-025-05	70.0	80.0	7.0	ME-1 070-080-07
16.0	26.0	5.0	ME-3 016-026-05	70.0	84.0	8.0	ME-1 070-084-08
18.0	28.0	7.0	ME-3 018-028-07	70.0	84.0	8.0	ME-3 070-084-08
18.0	30.0	6.0	ME-1 018-030-06	71.0	85.0	8.0	ME-3 071-085-08
18.0	30.0	6.0	ME-3 018-030-06	75.0	87.0	7.0	ME-3 075-087-07
20.0	32.0	6.0	ME-1 020-032-06	75.0	89.0	8.0	ME-1 075-089-08
20.0	32.0	6.0	ME-3 020-032-06	75.0	89.0	8.0	ME-3 075-089-08
22.0	34.0	6.0	ME-1 022-034-06	80.0	94.0	8.0	ME-1 080-094-08
22.4	34.4	6.0	ME-3 022.4-034.4-06	80.0	94.0	8.0	ME-3 080-094-08
25.0	37.0	6.0	ME-1 025-037-06	85.0	99.0	8.0	ME-1 085-099-08
25.0	37.0	6.0	ME-3 025-037-06	85.0	99.0	8.0	ME-3 085-099-08
27.0	39.0	6.0	ME-3 027-039-06	90.0	104.0	8.0	ME-1 090-104-08
28.0	40.0	6.0	ME-3 028-040-06	90.0	104.0	8.0	ME-3 090-104-08
30.0	42.0	6.0	ME-1 030-042-06	95.0	109.0	8.0	ME-1 095-109-08
30.0	42.0	6.0	ME-3 030-042-06	95.0	109.0	8.0	ME-3 095-109-08
30.0	50.0	9.6	ME-3 030-050-09.6	100.0	114.0	8.0	ME-1 100-114-08
31.5	44.0	7.0	ME-3 031.5-044-07	100.0	114.0	8.0	ME-3 100-114-08
32.0	44.0	7.0	ME-3 032-044-07	105.0	121.0	9.0	ME-1 105-121-09
32.0	52.0	8.0	ME-1 032-052-08	105.0	121.0	9.0	ME-3 105-121-09
34.0	46.0	7.0	ME-1 034-046-07	110.0	126.0	9.0	ME-1 110-126-09
35.0	47.0	7.0	ME-1 035-047-07	110.0	126.0	9.0	ME-3 110-126-09
35.0	47.0	7.0	ME-3 035-047-07	120.0	136.0	9.0	ME-1 120-136-09
35.5	47.0	7.0	ME-3 035.5-047-07	120.0	136.0	9.0	ME-3 120-136-09
38.0	50.0	7.0	ME-3 038-050-07	125.0	141.0	9.0	ME-3 125-141-09
40.0	52.0	7.0	ME-1 040-052-07	130.0	146.0	9.0	ME-1 130-146-09
40.0	52.0	7.0	ME-3 040-052-07	135.0	150.0	8.0	ME-1 135-150-08
40.0	60.0	9.6	ME-3 040-060-09.6	140.0	160.0	10.0	ME-1 140-160-10
45.0	57.0	7.0	ME-1 045-057-07	140.0	160.0	10.0	ME-3 140-160-10
45.0	57.0	7.0	ME-3 045-057-07	150.0	170.0	10.0	ME-3 150-170-10
50.0	60.0	7.0	ME-3 050-060-07	170.0	190.0	10.0	ME-3 170-190-10
50.0	62.0	7.0	ME-1 050-062-07	170.0	191.0	8.0	ME-1 170-191-08
50.0	62.0	7.0	ME-3 050-062-07	175.0	195.0	10.0	ME-3 175-195-10
50.0	62.0	8.0	ME-1 050-062-08	180.0	205.0	12.0	ME-3 180-205-12
53.0	67.0	8.0	ME-3 053-067-08				
55.0	69.0	8.0	ME-1 055-069-08				
55.0	69.0	8.0	ME-3 055-069-08				
56.0	70.0	8.0	ME-3 056-070-08				
60.0	74.0	8.0	ME-1 060-074-08				
60.0	74.0	8.0	ME-3 060-074-08				
63.0	77.0	8.0	ME-3 063-077-08				