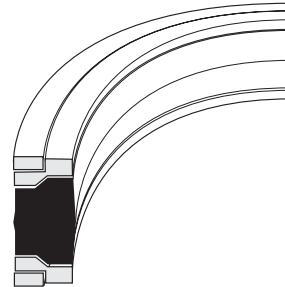


Piston Seals (Double Acting)

MHM

(Metric Size)

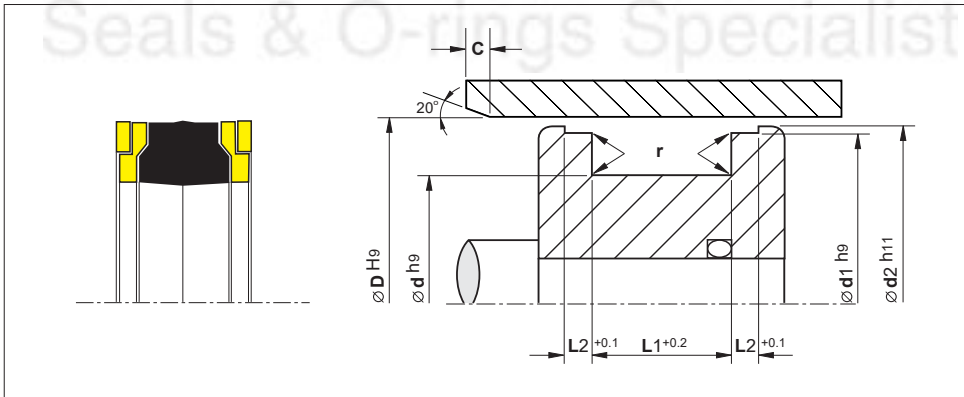


MHM

| Material | Pressure (Bar) | Temp. (°C) | Speed (m/s) |
|-------------------|----------------|-------------|-------------|
| NBR-Polyester-POM | 350 | -30 +120 | 0.5 |

- Good sealing effect, also suitable for holding cylinders.
- Capable of installation in closed grooves.
- Economic and efficient sealing solution.
- Simple snap installation.
- High resistance to gap extrusion.

Installation Recommendation



| Surface roughness | Ra | Rt | Chamfers | |
|--------------------|----------|---------|----------|------|
| Sliding surface | ≤ 0.3 μm | ≤ 4 μm | D | C |
| Surface of housing | ≤ 1.8 μm | ≤ 10 μm | < 60 | 4.0 |
| Sides of housing | ≤ 3.0 μm | ≤ 16 μm | 60-120 | 5.0 |
| | | | 120-180 | 6.5 |
| | | | 180-250 | 7.5 |
| | | | 250-320 | 10.0 |

Compact Seal

(Metric Size)

| Bore Dia. | Groove Dimensions | | | | | | Reference | Reference | Reference |
|-----------|-------------------|-------|------|-------|-------|------|------------------------------|------------------------------|-------------------|
| | D | d | L1 | L2 | d1 | d2 | | | |
| 20.00 | 11.00 | 13.50 | 2.10 | 17.00 | 19.00 | 0.40 | KGD 020-011 | DAS 020-011 | TPL 020-011 |
| 22.00 | 13.00 | 13.50 | 2.10 | 19.00 | 21.00 | 0.40 | | DAS 022-013 | TPL 022-013 |
| 25.00 | 15.00 | 12.50 | 4.00 | 21.00 | 23.00 | 0.40 | | DAS 025-015/1 | |
| 25.00 | 15.00 | 12.50 | 4.00 | 22.00 | 24.00 | 0.40 | | DAS 025-015/2 | TPM 098-059/S-ISO |
| 25.00 | 15.00 | 16.40 | 6.35 | 21.45 | 23.50 | 0.40 | | KGD 025-015 | DAS 025-015 |
| 25.00 | 16.00 | 13.50 | 2.10 | 22.00 | 24.00 | 0.40 | KGD 025-016 | DAS 025-016 | TPL 025-016 |
| 25.00 | 17.00 | 8.00 | 4.00 | 22.10 | 24.00 | 0.40 | | | H53-2249212 |
| 25.00 | 17.00 | 10.00 | 4.00 | 22.00 | 24.00 | 0.40 | | | TPM 098-066-ISO |
| 25.00 | 17.00 | 13.50 | 3.20 | 21.00 | 24.40 | 0.40 | | | TPS/G 025-017 |
| 25.00 | 17.50 | 8.80 | 3.10 | 21.30 | 24.00 | 0.40 | | | SPS 098-068 |
| 28.00 | 19.00 | 13.50 | 2.10 | 25.00 | 27.00 | 0.40 | KGD 030-017 KGD 030-021 | DAS 028-019 | TPL 028-019 |
| 30.00 | 17.00 | 15.40 | 6.35 | 26.50 | 28.50 | 0.40 | | DAS 030-021 | TPL 030-021 |
| 30.00 | 21.00 | 13.50 | 2.10 | 27.00 | 29.00 | 0.40 | | TPS/G 030-022 | |
| 30.00 | 22.00 | 13.50 | 3.20 | 26.00 | 29.40 | 0.40 | | H53-2249312 | |
| 32.00 | 22.00 | 10.00 | 5.00 | 28.50 | 31.00 | 0.40 | | | |
| 32.00 | 22.00 | 11.00 | 4.00 | 27.50 | 31.00 | 0.40 | KGD 032-022/A KGD 032-022 | DAS 032-022/1 DAS 032-022 | H65-2218110 |
| 32.00 | 22.00 | 12.50 | 4.00 | 29.00 | 31.00 | 0.40 | | | TPM 125-086-ISO |
| 32.00 | 22.00 | 15.50 | 2.60 | 28.00 | 31.00 | 0.40 | | | TPL 032-022 |
| 32.00 | 22.00 | 16.40 | 6.35 | 28.50 | 30.50 | 0.40 | | | TPM 125-086 |
| 32.00 | 24.00 | 10.00 | 4.00 | 29.00 | 31.00 | 0.40 | | | TPM 125-094-ISO |
| 32.00 | 24.00 | 15.50 | 3.20 | 28.00 | 31.40 | 0.40 | KGD 032-024 | DAS 032-024 | TPS/G 032-024 |
| 35.00 | 25.00 | 15.50 | 2.60 | 31.00 | 34.00 | 0.40 | KGD 035-025/A | DAS 035-025/1 | TPL 035-025 |
| 35.00 | 25.00 | 16.40 | 6.35 | 31.40 | 33.50 | 0.40 | KGD 035-025 | DAS 035-025 | TPM 137-098 |
| 35.00 | 27.00 | 15.50 | 3.20 | 31.00 | 34.40 | 0.40 | | | TPS/G 035-027 |
| 36.00 | 26.00 | 15.50 | 2.60 | 32.00 | 35.00 | 0.40 | | | TPL 036-026 |
| 40.00 | 24.00 | 18.40 | 6.35 | 35.40 | 38.50 | 0.40 | KGD 040-024 | DAS 040-024 | TPM 157-094 |
| 40.00 | 26.00 | 15.50 | 2.60 | 36.00 | 39.00 | 0.40 | KGD 040-026 | DAS 040-026 | TPL 040-026 |
| 40.00 | 30.00 | 10.00 | 5.00 | 36.50 | 39.00 | 0.40 | | | H53-2249412 |
| 40.00 | 30.00 | 11.30 | 4.00 | 35.40 | 38.00 | 0.40 | | | TPM 157-118/1D |
| 40.00 | 30.00 | 12.50 | 4.00 | 36.00 | 38.00 | 0.40 | KGD 040-030/A | DAS 040-030/1 | |
| 40.00 | 30.00 | 12.50 | 4.00 | 37.00 | 39.00 | 0.40 | KGD 040-030/B | DAS 040-030/2 | TPM 157-118/S-ISO |
| 40.00 | 30.00 | 16.40 | 6.35 | 35.40 | 38.50 | 0.40 | KGD 040-030 | DAS 040-030 | TPM 157-118 |
| 40.00 | 32.00 | 10.00 | 4.00 | 37.00 | 39.00 | 0.40 | | | TPM 157-125-ISO |
| 40.00 | 32.00 | 15.50 | 3.20 | 36.00 | 39.40 | 0.40 | KGD 040-032 | DAS 040-032 | TPS/G 040-032 |
| 42.00 | 28.00 | 15.50 | 2.60 | 38.00 | 41.00 | 0.40 | | DAS 042-028 | TPL 042-028 |
| 45.00 | 29.00 | 18.40 | 6.35 | 40.40 | 43.70 | 0.40 | | DAS 045-029 | TPM 177-114 |
| 45.00 | 31.00 | 15.50 | 2.60 | 41.00 | 44.00 | 0.40 | KGD 045-031 | DAS 045-031 | TPL 045-031 |
| 45.00 | 35.00 | 16.40 | 6.35 | 40.40 | 43.50 | 0.40 | KGD 045-035 | DAS 045-035 | TPM 177-137 |
| 45.00 | 37.00 | 15.50 | 3.20 | 41.00 | 44.40 | 0.40 | | | TPS/G 045-037 |
| 50.00 | 34.00 | 18.40 | 6.35 | 45.40 | 48.50 | 0.40 | KGD 050-034 | DAS 050-034 | TPM 196-133 |

* For order processing, the computer code will be
e.g. CS 020-011 KGD, CS 020-011 DAS, CS 020-011 TPL

(Metric Size)

| Bore Dia. | Groove Dimensions | | | | | | Reference | Reference | Reference |
|-----------|-------------------|-------|-------|-------|-------|------|---------------|---------------|--------------------|
| | D | d | L1 | L2 | d1 | d2 | | | |
| 50.00 | 34.00 | 20.50 | 3.10 | 46.00 | 49.00 | 0.40 | KGD 050-034/A | DAS 050-034/1 | TPL 050-034 |
| 50.00 | 35.00 | 20.00 | 5.00 | 46.00 | 48.50 | 0.40 | | | TPM 196-137/SK-ISO |
| 50.00 | 38.00 | 20.50 | 4.20 | 46.00 | 49.40 | 0.40 | KGD 050-038 | DAS 050-038 | TPS/G 050-038 |
| 50.00 | 40.00 | 11.30 | 4.00 | 45.40 | 49.00 | 0.40 | | | TPM 196-157 |
| 50.00 | 40.00 | 12.50 | 4.00 | 47.00 | 49.00 | 0.40 | | | TPM 196-157-ISO |
| 55.00 | 39.00 | 18.40 | 6.35 | 50.36 | 53.50 | 0.40 | KGD 055-039 | DAS 055-039 | TPM 216-153 |
| 55.00 | 39.00 | 20.50 | 3.10 | 51.00 | 54.00 | 0.40 | KGD 055-039/A | DAS 055-039/1 | TPL 055-039 |
| 55.00 | 43.00 | 20.50 | 4.20 | 51.00 | 54.40 | 0.40 | | | TPS/G 055-043 |
| 55.00 | 45.00 | 11.30 | 4.00 | 50.50 | 54.00 | 0.40 | | | SPS 216-177 |
| 55.00 | 45.00 | 12.50 | 4.00 | 52.00 | 54.00 | 0.40 | | | TPM 216-177-ISO |
| 56.00 | 40.00 | 20.50 | 3.10 | 52.00 | 55.00 | 0.40 | | DAS 056-040 | TPL 056-040 |
| 60.00 | 44.00 | 18.40 | 6.35 | 55.40 | 58.50 | 0.40 | KGD 060-044 | DAS 060-044 | TPM 236-173 |
| 60.00 | 44.00 | 20.50 | 3.10 | 56.00 | 59.00 | 0.40 | KGD 060-044/A | DAS 060-044/1 | TPL 060-044 |
| 60.00 | 45.00 | 23.00 | - | - | - | 0.40 | | | MHM 236-177 P |
| 60.00 | 48.00 | 20.50 | 4.20 | 56.00 | 59.40 | 0.40 | KGD 060-048 | DAS 060-048 | TPS/G 060-048 |
| 63.00 | 47.00 | 18.40 | 6.35 | 58.40 | 61.50 | 0.40 | KGD 063-047 | DAS 063-047 | TPM 248-185 |
| 63.00 | 47.00 | 19.40 | 6.35 | 58.40 | 61.50 | 0.40 | KGD 063-047/B | DAS 063-047/2 | TPM 248-185/2S |
| 63.00 | 47.00 | 20.50 | 3.10 | 59.00 | 62.00 | 0.40 | KGD 063-047/A | DAS 063-047/1 | TPL 063-047 |
| 63.00 | 48.00 | 20.00 | 5.00 | 59.00 | 61.50 | 0.40 | | | TPM 248-188-ISO |
| 63.00 | 51.00 | 20.50 | 4.20 | 59.00 | 62.40 | 0.40 | KGD 063-051 | DAS 063-051 | TPS/G 063-051 |
| 63.00 | 53.00 | 11.40 | 4.00 | 58.50 | 61.50 | 0.40 | | | SPS 248-208 |
| 63.00 | 53.00 | 12.50 | 4.00 | 60.00 | 62.00 | 0.40 | | | TPM 248-208-ISO |
| 65.00 | 49.00 | 20.50 | 3.10 | 61.00 | 64.00 | 0.40 | KGD 065-049 | DAS 065-049 | TPL 065-049 |
| 65.00 | 50.00 | 18.40 | 6.35 | 60.40 | 63.50 | 0.40 | KGD 065-050 | DAS 065-050 | TPM 255-196 |
| 65.00 | 53.00 | 20.50 | 4.20 | 61.00 | 64.40 | 0.40 | | | TPS/G 065-053 |
| 70.00 | 50.00 | 22.00 | 10.00 | 64.00 | 68.00 | 0.40 | | | H53-0075112 |
| 70.00 | 50.00 | 22.40 | 6.35 | 64.20 | 68.30 | 0.40 | KGD 070-050 | DAS 070-050 | TPM 275-196 |
| 70.00 | 54.00 | 20.50 | 3.10 | 66.00 | 69.00 | 0.40 | KGD 070-054 | DAS 070-054 | TPL 070-054 |
| 70.00 | 55.00 | 20.00 | 5.00 | 66.00 | 69.00 | 0.40 | | | TPM 275-216-ISO |
| 70.00 | 55.00 | 23.00 | - | - | - | 0.40 | | | MHM 275-216 P |
| 70.00 | 58.00 | 20.50 | 4.20 | 66.00 | 69.40 | 0.40 | KGD 070-058 | DAS 070-058 | TPS/G 070-058 |
| 75.00 | 55.00 | 22.00 | 10.00 | 69.00 | 73.00 | 0.40 | | | H53-0075612 |
| 75.00 | 55.00 | 22.40 | 6.35 | 69.20 | 73.30 | 0.40 | KGD 075-055 | DAS 075-055 | TPM 295-216 |
| 75.00 | 59.00 | 20.50 | 3.10 | 71.00 | 74.00 | 0.40 | | DAS 075-059 | TPL 075-059 |
| 75.00 | 63.00 | 20.50 | 4.20 | 71.00 | 74.40 | 0.40 | | | TPS/G 075-063 |
| 80.00 | 60.00 | 22.40 | 6.35 | 74.15 | 78.30 | 0.40 | KGD 080-060 | DAS 080-060 | TPM 314-236 |
| 80.00 | 60.00 | 25.00 | 6.30 | 75.00 | 78.00 | 0.40 | | | TPM 314-236-ISO |
| 80.00 | 62.00 | 22.50 | 3.60 | 76.00 | 79.00 | 0.40 | KGD 080-062 | DAS 080-062 | TPL 080-062 |
| 80.00 | 65.00 | 20.00 | 5.00 | 76.00 | 78.50 | 0.40 | | | TPM 314-255-ISO |
| 80.00 | 65.00 | 23.00 | - | - | - | 0.40 | | | MHM 314-255 P |

* For order processing, the computer code will be
e.g. CS 020-011 KGD, CS 020-011 DAS, CS 020-011 TPL

Compact Seal



(Metric Size)

| Bore Dia. | Groove Dimensions | | | | | | Reference | Reference | Reference |
|-----------|-------------------|-------|-------|--------|--------|------|-------------|-------------|-----------------|
| | D | d | L1 | L2 | d1 | d2 | | | |
| 80.00 | 66.00 | 22.50 | 5.20 | 76.00 | 79.40 | 0.40 | KGD 080-066 | DAS 080-066 | TPS/G 080-066 |
| 80.00 | 70.00 | 11.30 | 4.00 | 75.50 | 78.50 | 0.40 | | | SPS 314-275 |
| 85.00 | 65.00 | 22.40 | 6.35 | 79.15 | 83.30 | 0.40 | KGD 085-065 | DAS 085-065 | TPM 334-255 |
| 90.00 | 70.00 | 22.00 | 10.00 | 84.00 | 88.00 | 0.40 | | | H53-0075812 |
| 90.00 | 70.00 | 22.40 | 6.35 | 84.15 | 88.30 | 0.40 | KGD 090-070 | DAS 090-070 | TPM 354-275 |
| 90.00 | 70.00 | 30.50 | - | - | - | 0.40 | KGD 090-072 | DAS 090-072 | MHM 354-275 P |
| 90.00 | 72.00 | 22.50 | 3.60 | 86.00 | 89.00 | 0.40 | | | TPL 090-072 |
| 90.00 | 75.00 | 20.00 | - | - | - | 0.40 | KGD 090-076 | DAS 090-076 | TPM 354-295 P |
| 90.00 | 76.00 | 22.50 | 5.20 | 86.00 | 89.40 | 0.40 | | | TPS/G 090-076 |
| 92.00 | 82.00 | 11.00 | 4.00 | 87.50 | 90.50 | 0.40 | | | H65-2240410 |
| 92.00 | 82.00 | 13.00 | 6.40 | 88.00 | 90.30 | 0.40 | KGD 095-075 | DAS 095-075 | MHM 362-322 |
| 95.00 | 75.00 | 22.40 | 6.35 | 89.15 | 93.30 | 0.40 | | | TPM 374-295 |
| 100.00 | 75.00 | 22.40 | 6.35 | 93.13 | 98.00 | 0.40 | KGD 100-075 | DAS 100-075 | TPM 393-295 |
| 100.00 | 80.00 | 22.00 | 10.00 | 94.00 | 98.00 | 0.40 | KGD 100-080 | DAS 100-075 | H53-0083612 |
| 100.00 | 80.00 | 25.00 | 6.30 | 95.00 | 98.00 | 0.40 | | | TPM 393-314-ISO |
| 100.00 | 80.00 | 30.50 | - | - | - | 0.40 | KGD 100-082 | DAS 100-082 | MHM 393-314 P |
| 100.00 | 82.00 | 22.50 | 3.60 | 96.00 | 99.00 | 0.40 | | | TPL 100-082 |
| 100.00 | 85.00 | 20.00 | 5.00 | 96.00 | 98.50 | 0.40 | KGD 100-086 | DAS 100-086 | TPM 393-334-ISO |
| 100.00 | 86.00 | 22.50 | 5.20 | 96.00 | 99.40 | 0.40 | | | TPS/G 100-086 |
| 100.00 | 87.00 | 14.30 | 6.00 | 93.80 | 98.50 | 0.40 | | | SPS 393-342 |
| 105.00 | 80.00 | 22.40 | 6.35 | 98.10 | 103.00 | 0.40 | KGD 105-080 | DAS 105-080 | TPM 413-314 |
| 105.00 | 92.50 | 14.70 | 6.40 | 95.15 | 103.30 | 0.40 | | | MHM 413-364 |
| 110.00 | 85.00 | 22.40 | 6.35 | 103.10 | 108.00 | 0.40 | KGD 110-085 | DAS 110-085 | TPM 433-334 |
| 110.00 | 85.00 | 25.30 | 6.40 | 103.10 | 108.00 | 0.40 | | | TPM 433-334/1 |
| 110.00 | 90.00 | 25.30 | 6.40 | 104.10 | 108.30 | 0.40 | | | TPM 433-354-ISO |
| 110.00 | 90.00 | 30.50 | - | - | - | 0.40 | KGD 110-092 | DAS 110-092 | MHM 433-354 P |
| 110.00 | 92.00 | 22.50 | 3.60 | 106.00 | 109.00 | 0.40 | | | TPL 110-092 |
| 110.00 | 95.00 | 20.00 | 5.00 | 105.00 | 108.50 | 0.40 | KGD 110-096 | DAS 110-096 | TPM 433-374-ISO |
| 110.00 | 96.00 | 22.50 | 5.20 | 106.00 | 109.40 | 0.40 | | | TPS/G 110-096 |
| 115.00 | 90.00 | 22.40 | 6.35 | 108.10 | 113.00 | 0.40 | | | KGD 115-090 |
| 115.00 | 97.00 | 22.50 | 3.60 | 111.00 | 114.00 | 0.40 | KGD 120-095 | DAS 115-097 | TPL 115-097 |
| 120.00 | 95.00 | 22.40 | 6.35 | 113.10 | 118.00 | 0.80 | | | DAS 120-095 |
| 120.00 | 106.00 | 22.50 | 5.20 | 116.00 | 119.40 | 0.80 | KGD 120-106 | DAS 120-106 | TPS/G 120-106-S |
| 125.00 | 100.00 | 25.40 | 6.35 | 118.10 | 123.00 | 0.80 | KGD 125-100 | DAS 125-100 | TPM 492-393 |
| 125.00 | 100.00 | 32.00 | 10.00 | 119.00 | 123.00 | 0.80 | | | TPM 492-393-ISO |
| 125.00 | 103.00 | 26.50 | 5.10 | 121.00 | 124.00 | 0.80 | KGD 125-108 | DAS 125-103 | TPL 125-103 |
| 125.00 | 105.00 | 25.30 | 6.40 | 119.10 | 123.30 | 0.80 | | | TPM 492-413 |
| 125.00 | 105.00 | 25.00 | 6.30 | 120.00 | 123.00 | 0.80 | | | TPM 492-413-ISO |
| 125.00 | 108.00 | 26.50 | 7.20 | 121.00 | 124.40 | 0.80 | | | TPS/G 125-108 |
| 125.00 | 112.00 | 14.30 | 6.00 | 118.80 | 123.50 | 0.80 | | | SPS 492-440 |

* For order processing, the computer code will be
 e.g. CS 020-011 KGD, CS 020-011 DAS, CS 020-011 TPL

(Metric Size)

| Bore Dia. | Groove Dimensions | | | | | | Reference | Reference | Reference |
|-----------|-------------------|-------|-------|--------|--------|------|---------------|---------------|-----------------|
| | D | d | L1 | L2 | d1 | d2 | | | |
| 130.00 | 105.00 | 25.40 | 9.50 | 122.60 | 127.50 | 0.80 | KGD 130-105 | DAS 130-105 | TPM 511-413 |
| 130.00 | 105.00 | 25.40 | 6.35 | 123.10 | 128.00 | 0.80 | KGD 130-105/A | DAS 130-105/1 | TPM 511-413/1 |
| 130.00 | 113.00 | 26.50 | 7.20 | 126.00 | 129.40 | 0.80 | | DAS 130-113 | |
| 135.00 | 110.00 | 25.00 | 12.70 | 128.00 | 133.00 | 0.80 | | | H53-0091212 |
| 135.00 | 110.00 | 25.40 | 9.50 | 127.60 | 132.50 | 0.80 | KGD 135-110 | DAS 135-110 | TPM 531-433 |
| 135.00 | 110.00 | 25.40 | 6.35 | 128.10 | 133.00 | 0.80 | KGD 135-110/A | DAS 135-110/1 | TPM 531-433/1 |
| 140.00 | 115.00 | 25.40 | 9.50 | 132.60 | 137.50 | 0.80 | KGD 140-115 | DAS 140-115 | TPM 551-452 |
| 140.00 | 115.00 | 25.40 | 6.35 | 133.00 | 138.00 | 0.80 | KGD 140-115/A | DAS 140-115/1 | TPM 551-452/1 |
| 140.00 | 118.00 | 26.50 | 5.10 | 136.00 | 139.00 | 0.80 | | DAS 140-118 | TPL 140-118 |
| 140.00 | 120.00 | 25.00 | 6.30 | 135.00 | 138.00 | 0.80 | | | TPM 551-472-ISO |
| 140.00 | 123.00 | 26.50 | 7.20 | 136.00 | 139.40 | 0.80 | | DAS 140-123 | TPS/G 140-123 |
| 140.00 | 124.00 | 17.50 | 8.75 | 132.00 | 138.50 | 0.80 | | | H65-0317710 |
| 145.00 | 120.00 | 25.40 | 9.50 | 137.60 | 142.50 | 0.80 | KGD 145-120 | DAS 145-120 | TPM 570-472 |
| 145.00 | 120.00 | 25.40 | 6.35 | 138.30 | 142.95 | 0.80 | KGD 145-120/A | DAS 145-120/1 | TPM 570-472/1 |
| 150.00 | 125.00 | 25.00 | 12.70 | 143.00 | 148.00 | 0.80 | | | H53-0091512 |
| 150.00 | 125.00 | 25.40 | 9.50 | 142.60 | 147.50 | 0.80 | KGD 150-125 | DAS 150-125 | TPM 590-492 |
| 150.00 | 125.00 | 25.40 | 6.35 | 143.00 | 148.00 | 0.80 | KGD 150-125/A | DAS 150-125/1 | TPM 590-492/1 |
| 150.00 | 128.00 | 26.50 | 5.10 | 146.00 | 149.00 | 0.80 | | DAS 150-128 | TPL 150-128 |
| 150.00 | 130.00 | 25.40 | 6.35 | 144.10 | 148.30 | 0.80 | | | TPM 590-511-ISO |
| 150.00 | 133.00 | 26.50 | 7.20 | 146.00 | 149.40 | 0.80 | | DAS 150-133 | TPS/G 150-133-S |
| 155.00 | 130.00 | 25.40 | 9.50 | 147.60 | 152.50 | 0.80 | KGD 155-130 | DAS 155-130 | TPM 610-511 |
| 155.00 | 130.00 | 25.40 | 6.35 | 148.00 | 153.00 | 0.80 | KGD 155-130/A | DAS 155-130/1 | TPM 610-511/1 |
| 160.00 | 130.00 | 25.40 | 6.35 | 153.00 | 157.50 | 0.80 | KGD 160-130 | DAS 160-130 | TPM 629-511 |
| 160.00 | 130.00 | 25.40 | 9.50 | 152.60 | 157.50 | 0.80 | KGD 160-130/A | DAS 160-130/1 | |
| 160.00 | 135.00 | 25.40 | 9.50 | 152.60 | 157.50 | 0.80 | KGD 160-135 | DAS 160-135 | TPM 629-531 |
| 160.00 | 130.00 | 32.00 | 10.00 | 154.00 | 158.00 | 0.80 | | | TPM 629-531-ISO |
| 160.00 | 138.00 | 26.50 | 5.10 | 156.00 | 159.00 | 0.80 | | DAS 160-138 | TPL 160-138 |
| 160.00 | 140.00 | 25.00 | 6.30 | 155.00 | 158.00 | 0.80 | | | TPM 629-551 |
| 160.00 | 140.00 | 25.00 | 12.50 | 151.40 | 158.50 | 0.80 | | | H65-0315910 |
| 160.00 | 143.00 | 26.50 | 7.20 | 156.00 | 159.40 | 0.80 | | DAS 160-143 | TPS/G 160-143-S |
| 165.00 | 140.00 | 25.00 | 12.70 | 158.00 | 163.00 | 0.80 | | | H53-1257612 |
| 165.00 | 140.00 | 25.40 | 9.50 | 157.60 | 162.50 | 0.80 | KGD 165-140 | DAS 165-140 | TPM 649-551 |
| 165.00 | 145.00 | 25.40 | 6.40 | 159.15 | 163.30 | 0.80 | | | MHM 649-570 |
| 170.00 | 140.00 | 25.40 | 6.40 | 162.95 | 167.90 | 0.80 | | | MHM 669-551 |
| 170.00 | 145.00 | 25.40 | 12.70 | 161.70 | 167.10 | 0.80 | KGD 170-145 | DAS 170-145 | TPM 669-570 |
| 170.00 | 148.00 | 26.50 | 5.10 | 166.00 | 169.00 | 0.80 | | DAS 170-148 | TPL 170-148 |
| 175.00 | 150.00 | 25.40 | 12.70 | 166.70 | 172.10 | 0.80 | KGD 175-150 | DAS 175- 150 | TPM 688-590 |
| 180.00 | 150.00 | 35.40 | 6.35 | 172.95 | 177.87 | 0.80 | | DAS 180-150 | TPM 708-590 |
| 180.00 | 150.00 | 36.00 | 12.50 | - | - | 0.80 | | | TPM 708-590-NF |
| 180.00 | 155.00 | 25.40 | 12.70 | 171.70 | 177.10 | 0.80 | KGD 180-155 | DAS 180-155 | TPM 708-610 |

* For order processing, the computer code will be
e.g. CS 020-011 KGD, CS 020-011 DAS, CS 020-011 TPL

Compact Seal

(Metric Size)

| Bore Dia. | Groove Dimensions | | | | | | Reference | Reference | Reference |
|-----------|-------------------|-------|-------|--------|--------|------|-------------|-------------|--------------------|
| | D | d | L1 | L2 | d1 | d2 | | | |
| 180.00 | 160.00 | 25.00 | 12.50 | 171.40 | 178.50 | 0.80 | | | H65-0316010 |
| 180.00 | 163.00 | 26.50 | 7.20 | 176.00 | 179.40 | 0.80 | | | TPS/G 180-163 |
| 185.00 | 160.00 | 25.40 | 12.70 | 176.70 | 182.10 | 0.80 | KGD 185-160 | DAS 185-160 | TPM 728-629 |
| 190.00 | 165.00 | 25.40 | 12.70 | 181.70 | 187.00 | 0.80 | KGD 190-165 | DAS 190-165 | TPM 748-649 |
| 190.00 | 170.00 | 30.50 | 6.40 | 182.90 | 187.90 | 0.80 | | | MHM 748-669 |
| 195.00 | 170.00 | 25.40 | 12.70 | 186.70 | 192.00 | 0.80 | KGD 195-170 | DAS 195-170 | TPM 767-669 |
| 200.00 | 170.00 | 30.00 | 15.00 | 192.00 | 197.00 | 0.80 | | | H53-1270112 |
| 200.00 | 170.00 | 35.30 | 6.40 | 193.00 | 198.00 | 0.80 | | | TPM 787-669 |
| 200.00 | 170.00 | 36.00 | 12.50 | 192.00 | 197.00 | 0.80 | | | TPM 787-669-ISO |
| 200.00 | 175.00 | 25.40 | 12.70 | 191.60 | 197.00 | 0.80 | KGD 200-175 | DAS 200-175 | TPM 787-688 |
| 200.00 | 180.00 | 25.00 | 12.50 | 191.40 | 198.50 | 0.80 | | | H65-0316910 |
| 200.00 | 180.00 | 31.50 | 9.20 | 196.00 | 199.40 | 0.80 | | | TPS/G 200-180 |
| 210.00 | 185.00 | 25.40 | 12.70 | 201.60 | 207.00 | 0.80 | KGD 210-185 | DAS 210-185 | TPM 826-728 |
| 220.00 | 190.00 | 30.00 | 15.00 | 212.00 | 217.00 | 0.80 | | | H53-1714810 |
| 220.00 | 190.00 | 35.40 | 6.35 | 212.70 | 217.90 | 0.80 | | DAS 220-190 | TPM 866-748 |
| 220.00 | 190.00 | 36.00 | 12.50 | 212.00 | 217.00 | 0.80 | | | TPM 866-748-NF |
| 220.00 | 195.00 | 25.40 | 12.70 | 211.60 | 217.00 | 0.80 | KGD 220-195 | DAS 220-195 | TPM 866-767 |
| 230.00 | 205.00 | 25.40 | 12.70 | 221.60 | 227.00 | 0.80 | KGD 230-205 | DAS 230-205 | TPM 905-807 |
| 240.00 | 215.00 | 25.40 | 12.70 | 231.60 | 237.00 | 0.80 | KGD 240-215 | DAS 240-215 | TPM 944-846 |
| 250.00 | 220.00 | 30.00 | 15.00 | 242.00 | 247.00 | 0.80 | | | H53-1264312 |
| 250.00 | 220.00 | 35.40 | 6.35 | 242.90 | 247.85 | 0.80 | KGD 250-220 | DAS 250-220 | TPM 984-866 |
| 250.00 | 220.00 | 36.00 | 12.50 | 242.00 | 247.00 | 0.80 | | | TPM 984-866b- ISO |
| 250.00 | 225.00 | 25.40 | 12.70 | 241.60 | 247.00 | 0.80 | KGD 250-225 | DAS 250-225 | TPM 984-886- ISO |
| 250.00 | 225.00 | 31.50 | 6.60 | 246.00 | 249.00 | 0.80 | | | H64-6601400 |
| 260.00 | 235.00 | 35.10 | 12.70 | 252.90 | 257.00 | 0.80 | | | TPM 1024-925 |
| 280.00 | 250.00 | 30.00 | 15.00 | 272.00 | 274.00 | 0.80 | | | H53-1261712 |
| 280.00 | 250.00 | 36.00 | 12.50 | 272.00 | 277.00 | 0.80 | | | TPM 1102-984-NF |
| 280.00 | 250.00 | 35.40 | 9.52 | 272.90 | 277.00 | 0.80 | | | TPM 1102-984- ISO |
| 320.00 | 290.00 | 36.00 | 12.50 | 312.00 | 317.00 | 0.80 | | | TPM 1259-1141- ISO |

* For order processing, the computer code will be
e.g. CS 020-011 KGD, CS 020-011 DAS, CS 020-011 TPL