

Piston & Rod Seals

MYA

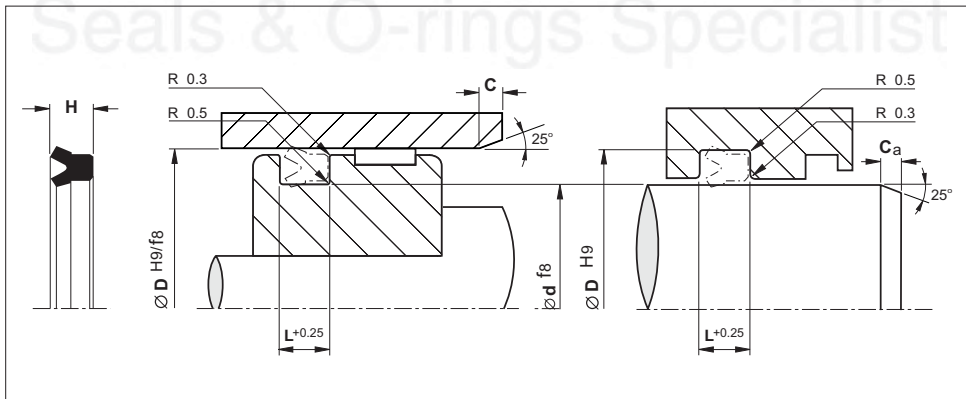
(Metric Size)



Material	Pressure (Bar)	Temp. (°c)	Speed (m/s)
NBR	8	-25 +70	0.4

- Small cross section.
- Applicable for solinoid valves.
- Compatible with the groove of O-Ring of JIS B2401-P-series.
- Low price.

Installation Recommendation



Surface roughness

Ra

Rt

Sliding surface

≤ 0.3 μm

≤ 4 μm

Surface of housing

≤ 1.8 μm

≤ 10 μm

Sides of housing

≤ 3.0 μm

≤ 16 μm

Piston & Rod Seals - MYA



(Metric Size)

Rod/ Groove Dia.	Bore/ Groove Dia.	Seal Hight	Groove Width	Dimensions		Reference (For order processing)
				C	Ca	
3.0	6.0	2.1	2.5	2.0	1.5	MYA-003
4.0	7.0	2.1	2.5	2.0	1.5	MYA-004
5.0	8.0	2.1	2.5	2.0	1.5	MYA-005
6.0	9.0	2.1	2.5	2.0	1.5	MYA-006
7.0	10.0	2.1	2.5	2.0	1.5	MYA-007
8.0	11.0	2.1	2.5	2.0	1.5	MYA-008
9.0	12.0	2.1	2.5	2.0	1.5	MYA-009
10.0	13.0	2.1	2.5	2.0	1.5	MYA-010
10.0	14.0	2.8	3.2	2.5	2.0	MYA-010A
11.0	15.0	2.8	3.2	2.5	2.0	MYA-011
11.2	15.2	2.8	3.2	2.5	2.0	MYA-011.2
12.0	16.0	2.8	3.2	2.5	2.0	MYA-012
12.5	16.5	2.8	3.2	2.5	2.0	MYA-012.5
14.0	18.0	2.8	3.2	2.5	2.0	MYA-014
15.0	19.0	2.8	3.2	2.5	2.0	MYA-015
16.0	20.0	2.8	3.2	2.5	2.0	MYA-016
18.0	22.0	2.8	3.2	2.5	2.0	MYA-018
20.0	24.0	2.8	3.2	2.5	2.0	MYA-020
21.0	25.0	2.8	3.2	2.5	2.0	MYA-021
22.0	26.0	2.8	3.2	2.5	2.0	MYA-022
24.0	30.0	4.2	4.7	3.0	3.0	MYA-024
34.0	40.0	4.2	4.7	3.0	3.0	MYA-034