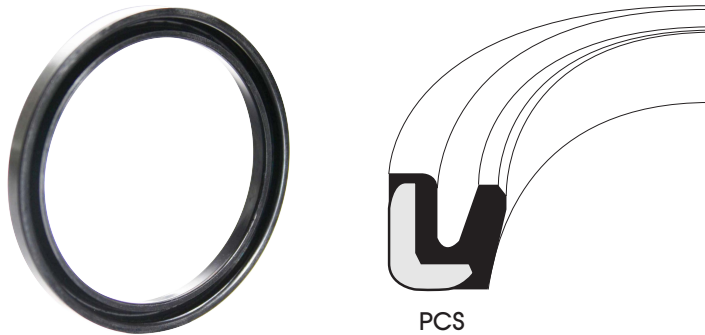


Cushion Seals

PCS

(Metric Size)

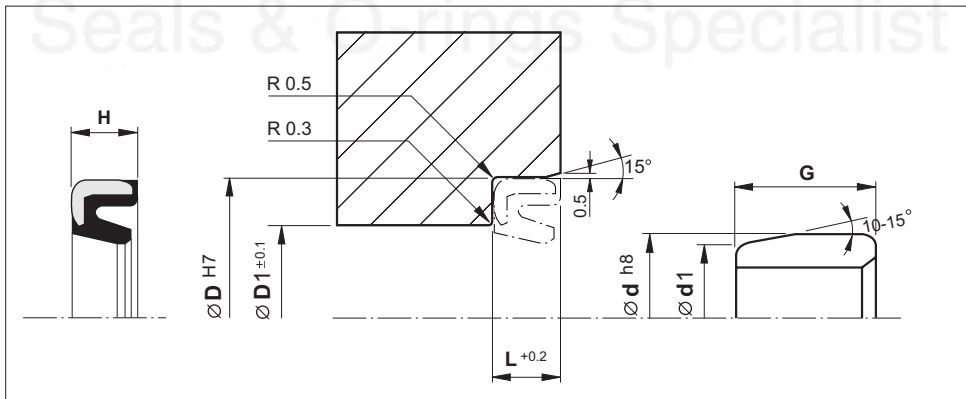


PCS

Material	Pressure (Bar)	Temp. (°C)	Speed (m/s)
NBR-Metal	10	-5 +80	0.5

- Absorb shock at the end of a cylinder.
- Prevent damage and impact noise.
- Press-fit assembly.

Installation Recommendation



Surface roughness

Ra

Rt

Sliding surface

≤ 0.3 μm

≤ 4 μm

Surface of housing

≤ 1.8 μm

≤ 10 μm

Sides of housing

≤ 3.0 μm

≤ 16 μm

Cushion Seals - PCS



(Metric Size)

Cushion Dia.	Groove Dia.	Seal Height	Groove Width	Dimensions			Reference (For order processing)
				d1	dI	G	
10.0	18.0	4.7	5.0	12.5	8.0	15-20	PCS-010
11.2	19.2	4.7	5.0	13.7	9.2	15-20	PCS-011.2
14.0	22.0	4.7	5.0	16.5	12.0	15-20	PCS-014
15.0	23.0	4.7	5.0	17.5	13.0	15-20	PCS-015
16.0	24.0	4.7	5.0	18.5	14.0	15-20	PCS-016
18.0	26.0	4.7	5.0	20.5	16.0	15-20	PCS-018
20.0	28.0	4.7	5.0	22.5	18.0	15-20	PCS-020
22.0	30.0	4.7	5.0	24.5	20.0	15-20	PCS-022
22.4	30.4	4.7	5.0	24.9	20.4	15-20	PCS-022.4
24.0	32.0	4.7	5.0	26.5	22.0	15-20	PCS-024
25.0	33.0	4.7	5.0	27.5	23.0	15-30	PCS-025
28.0	36.0	4.7	5.0	30.5	26.0	15-30	PCS-028
30.0	40.0	5.6	6.0	33.0	28.0	20-30	PCS-030
31.5	41.5	5.6	6.0	34.5	29.5	20-30	PCS-031.5
35.0	45.0	5.6	6.0	38.0	33.0	20-30	PCS-035
35.5	45.5	5.6	6.0	38.5	33.5	20-30	PCS-035.5
38.0	48.0	5.6	6.0	41.0	36.0	20-30	PCS-038
40.0	50.0	5.6	6.0	43.0	38.0	20-40	PCS-040
45.0	55.0	5.6	6.0	48.0	43.0	20-40	PCS-045
50.0	62.0	6.6	7.0	53.0	48.0	25-40	PCS-050
55.0	67.0	6.6	7.0	58.0	53.0	25-40	PCS-055
56.0	68.0	6.6	7.0	59.0	54.0	25-40	PCS-056
60.0	72.0	6.6	7.0	63.0	58.0	25-40	PCS-060
65.0	77.0	6.6	7.0	68.0	63.0	25-40	PCS-065
75.0	87.0	6.6	7.0	78.0	73.0		PCS-075
85.0	97.0	6.6	7.0	88.0	83.0		PCS-085
120.0	132.0	6.6	7.0	123.0	118.0		PCS-120
130.0	142.0	6.6	7.0	133.0	128.0		PCS-130