

Rod Seals + Wiper

PDU

(Metric Size)

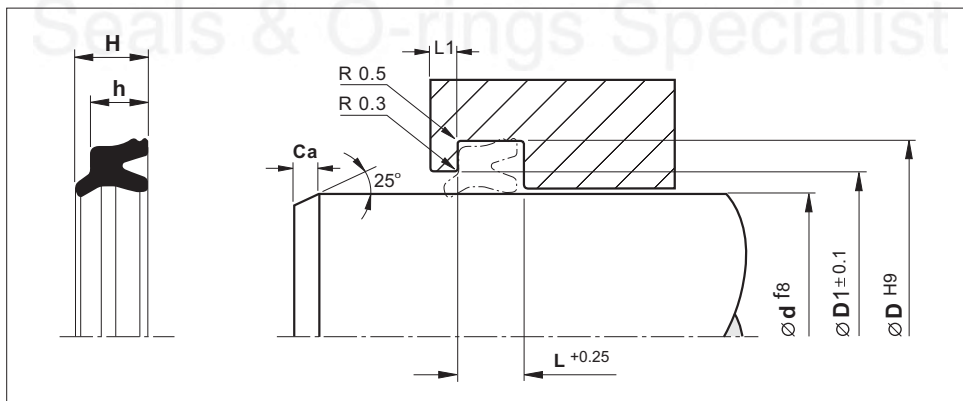


PDU

Material	Pressure (Bar)	Temp. (°c)	Speed (m/s)
NBR	10	-20 +80	1

- Function as both seal and wiper.
- Simple and economical to manufacture.
- Easy to installed.
- Long service life.

Installation Recommendation



Surface roughness

Ra

Rt

Sliding surface

≤ 0.3 μm

≤ 4 μm

Surface of housing

≤ 1.8 μm

≤ 10 μm

Sides of housing

≤ 3.0 μm

≤ 16 μm

Rod Seals & Wiper - PDU

(Metric Size)

Rod Dia.	Groove Dia.	Seal Height	Seal Step Height	Groove Width	Bore Dia.	Part Width	Chamfer Length	Reference (For order processing)
d	D	H	h	L	D1	L1	Ca	
6.0	10.0	4.4	3.0	3.5	7.6	2.0	1.5	PDU-006Z
8.0	12.0	4.9	3.5	4.0	9.6	2.0	1.5	PDU-008Z
10.0	14.0	4.9	3.5	4.0	11.6	2.0	1.5	PDU-010Z
12.0	16.0	4.9	3.5	4.0	13.6	2.0	1.5	PDU-012Z
14.0	18.0	4.9	3.5	4.0	15.6	2.0	1.5	PDU-014Z
16.0	24.0	7.5	5.5	6.0	19.4	2.0	2.0	PDU-016Z
20.0	28.0	7.5	5.5	6.0	23.4	2.0	2.0	PDU-020Z
25.0	33.0	7.5	5.5	6.0	28.4	2.0	2.0	PDU-025Z
30.0	40.0	8.5	6.5	7.0	34.0	2.0	2.5	PDU-030Z
32.0	42.0	8.5	6.5	7.0	36.0	2.0	2.5	PDU-032Z
35.0	45.0	8.5	6.5	7.0	39.0	2.0	2.5	PDU-035Z
36.0	46.0	8.5	6.5	7.0	40.0	2.0	2.5	PDU-036Z
40.0	50.0	8.5	6.5	7.0	44.0	2.0	2.5	PDU-040Z
45.0	55.0	8.5	6.5	7.0	49.0	2.0	2.5	PDU-045Z

SEAL

Seals & O-rings Specialist