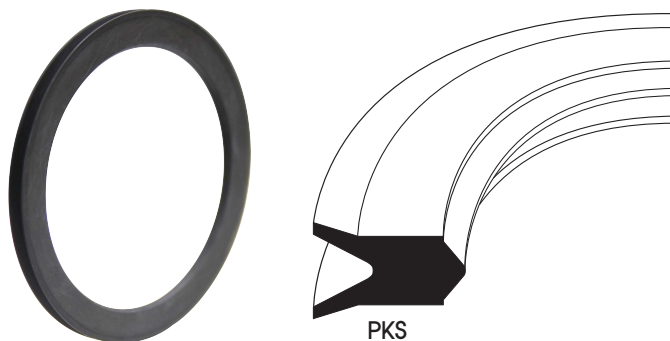


Rod Seals

PKS

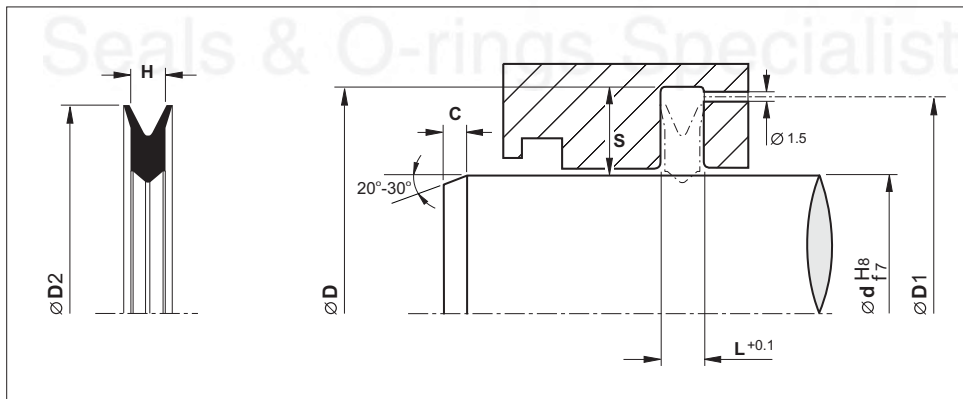
(Metric Size)



Material	Pressure (Bar)	Temp. (°C)	Speed (m/s)
NBR	16	-40 +80	1

- Rod seal for pneumatic systems.
- Low friction
- Easy installation.
- Long service life.

Installation Recommendation



Surface roughness	Ra	Rt	Chamfers	
			S	C
Sliding surface	≤ 0.3 µm	≤ 4 µm	4.0	2.0
Surface of housing	≤ 1.8 µm	≤ 10 µm	5.0	2.5
Sides of housing	≤ 3.0 µm	≤ 16 µm	7.5	4.0
			10.0	5.0
			12.5	6.5
			15.0	7.5
			20.0	10.0

Rod Seals - PKS

(Metric Size)

Rod Dia. d	Dimensions		Groove Width L	Seal Height H	Seal Dia. D2	Reference	Reference (For order processing)
	D	D1					
16	24	22.3	1.8	1.5	21.4	2-9478	PKS-016
16	27	25.4	2.3	2.0	25.0	2-9472	PKS-016A
20	30	28.4	2.3	2.0	27.6	2-9479	PKS-020
30	41	39.5	2.3	2.0	39.0	2-11762	PKS-030
36	48	46.4	3.0	2.5	46.0	2-11763	PKS-036
45	59	57.4	3.0	2.5	57.0	2-11764	PKS-045
60	77	75.4	3.5	3.0	74.0	2-11240	PKS-060
90	110	108.4	4.1	3.5	106.6	2-11241	PKS-090

