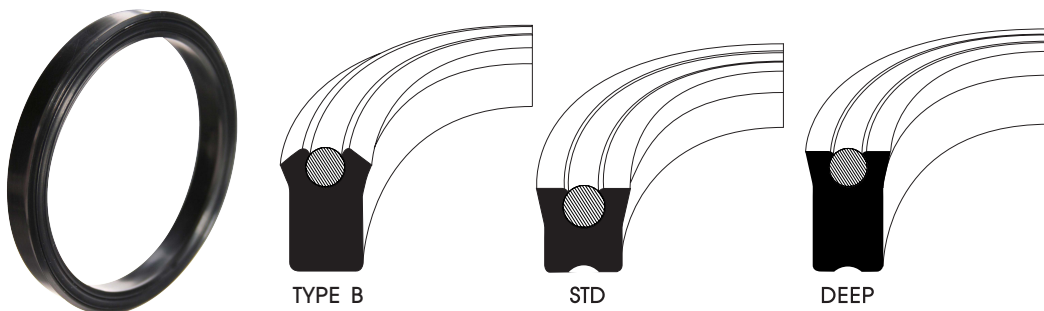


Piston & Rod Seals

POLYPAK

(Inch Size)

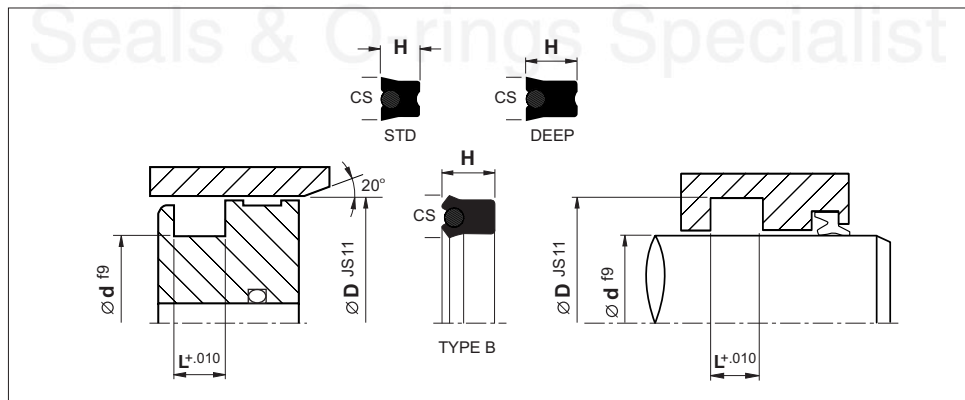
(Size list on page 158-194)



Material	Pressure (Bar)	Temp. (°C)	Speed (m/s)
Molythane	350	-35 +95	0.5

- Good for high and low pressure.
- Excellent wear resistance.
- Wide range in size.

### Installation Recommendation



Surface roughness

$\mu\text{in CLA}$

Sliding surface

4 to 16

Surface of housing

63 max

Sides of housing

125 max

## Rubber Energized U-Cup

(Inch Size)

Nominal Part Size				Rod/Groove Dia.	Bore/Groove Dia.	Groove Width	Reference (For order processing)
ID	OD	H	CS	d	D	L	
1/16	5/16	1/8	1/8	.062	.312	.138	125-00062
3/32	11/32	1/8	1/8	.093	.343	.138	125-00093
1/8	3/8	1/8	1/8	.125	.375	.138	125-00125
1/8	3/8	1/4	1/8	.125	.375	.275	125-00125-250B
.140	.390	1/8	1/8	.140	.390	.138	125-00140
3/16	7/16	1/8	1/8	.187	.437	.138	125-00187
3/16	7/16	1/4	1/8	.187	.437	.275	125-00187-250B
3/16	9/16	3/16	3/16	.187	.562	.207	187-00187
3/16	3/4	9/32	9/32	.187	.750	.309	281-00187
1/4	1/2	1/8	1/8	.250	.500	.138	125-00250
1/4	1/2	1/4	1/8	.250	.500	.275	125-00250-250
1/4	1/2	1/4	1/8	.250	.500	.275	125-00250-250B
1/4	5/8	3/16	3/16	.250	.625	.207	187-00250
1/4	5/8	5/16	3/16	.250	.625	.344	187-00250-312
1/4	3/4	1/4	1/4	.250	.750	.275	250-00250
1/4	3/4	3/8	1/4	.250	.750	.413	250-00250-375B
1/4	7/8	5/16	5/16	.250	.875	.344	312-00250
5/16	9/16	1/8	1/8	.312	.562	.138	125-00312
5/16	9/16	1/4	1/8	.312	.562	.275	125-00312-250
5/16	9/16	1/4	1/8	.312	.562	.275	125-00312-250B
5/16	11/16	3/16	3/16	.312	.687	.207	187-00312
5/16	11/16	5/16	3/16	.312	.687	.344	187-00312-312B
5/16	3/4	7/32	7/32	.312	.750	.240	218-00312
5/16	13/16	1/4	1/4	.312	.812	.275	250-00312
.353	.853	3/8	1/4	.353	.853	.413	250-00353-375B
.353	.977	3/8	5/16	.353	.977	.413	312-00353-375B
23/64	39/64	1/8	1/8	.359	.609	.138	125-00359
3/8	5/8	1/8	1/8	.375	.625	.138	125-00375
3/8	5/8	3/16	1/8	.375	.625	.207	125-00375-187B
3/8	5/8	1/4	1/8	.375	.625	.275	125-00375-250B
3/8	3/4	3/16	3/16	.375	.750	.207	187-00375
3/8	3/4	5/16	3/16	.375	.750	.344	187-00375-312
3/8	3/4	5/16	3/16	.375	.750	.344	187-00375-312B
3/8	7/8	1/4	1/4	.375	.875	.275	250-00375
3/8	7/8	3/8	1/4	.375	.875	.413	250-00375-375
3/8	1	5/16	5/16	.375	1.000	.344	312-00375
7/16	11/16	1/8	1/8	.437	.687	.138	125-00437
7/16	11/16	1/4	1/8	.437	.687	.275	125-00437-250
7/16	11/16	1/4	1/8	.437	.687	.275	125-00437-250B
7/16	3/4	5/32	5/32	.437	.750	.172	156-00437
7/16	13/16	3/16	3/16	.437	.812	.207	187-00437
7/16	13/16	5/16	3/16	.437	.812	.344	187-00437-312
7/16	13/16	5/16	3/16	.437	.812	.344	187-00437-312B
7/16	7/8	7/32	7/32	.437	.875	.240	218-00437
7/16	15/16	1/4	1/4	.437	.937	.275	250-00437

# Rubber Energized U-Cup



(Inch Size)

Nominal Part Size				Rod/Groove Dia.	Bore/Groove Dia.	Groove Width	Reference (For order processing)
ID	OD	H	CS	d	D	L	
7/16	15/16	3/8	1/4	.437	.937	.413	250-00437-375
7/16	15/16	3/8	1/4	.437	.937	.413	250-00437-375B
7/16	1-1/16	5/16	5/16	.437	1.062	.344	312-00437
.478	.978	3/8	1/4	.478	.978	.413	250-00478-375B
1/2	3/4	1/8	1/8	.500	.750	.138	125-00500
1/2	3/4	1/8	1/8	.500	.750	.138	125-00500-125B
1/2	3/4	1/4	1/8	.500	.750	.275	125-00500-250
1/2	3/4	1/4	1/8	.500	.750	.275	125-00500-250B
1/2	7/8	3/16	3/16	.500	.875	.207	187-00500
1/2	7/8	5/16	3/16	.500	.875	.344	187-00500-312B
1/2	1	1/4	1/4	.500	1.000	.275	250-00500
1/2	1	3/8	1/4	.500	1.000	.413	250-00500-375
1/2	1	3/8	1/4	.500	1.000	.413	250-00500-375B
1/2	1-1/8	5/16	5/16	.500	1.125	.344	312-00500
1/2	1-1/4	3/8	3/8	.500	1.250	.413	375-00500
17/32	25/32	1/8	1/8	.531	.781	.138	125-00531
9/16	13/16	1/8	1/8	.562	.812	.138	125-00562
9/16	13/16	1/4	1/8	.562	.812	.275	125-00562-250B
9/16	29/32	11/64	11/64	.562	.906	.188	171-00562
9/16	15/16	3/16	3/16	.562	.937	.207	187-00562
9/16	15/16	5/16	3/16	.562	.937	.344	187-00562-312B
9/16	1	7/32	7/32	.562	1.000	.240	218-00562
9/16	1-1/16	1/4	1/4	.562	1.062	.275	250-00562
9/16	1-1/16	3/8	1/4	.562	1.062	.413	250-00562-375B
5/8	7/8	1/8	1/8	.625	.875	.138	125-00625
5/8	7/8	1/8	1/8	.625	.875	.138	125-00625-125B
5/8	7/8	3/16	1/8	.625	.875	.207	125-00625-187
5/8	7/8	3/16	1/8	.625	.875	.207	125-00625-187B
5/8	7/8	1/4	1/8	.625	.875	.275	125-00625-250
5/8	7/8	1/4	1/8	.625	.875	.275	125-00625-250B
5/8	1	3/16	3/16	.625	1.000	.207	187-00625
5/8	1	5/16	3/16	.625	1.000	.344	187-00625-312
5/8	1	5/16	3/16	.625	1.000	.344	187-00625-312B
5/8	1-1/8	1/4	1/4	.625	1.125	.275	250-00625
5/8	1-1/8	3/8	1/4	.625	1.125	.413	250-00625-375
5/8	1-1/8	3/8	1/4	.625	1.125	.413	250-00625-375B
5/8	1-1/4	5/16	5/16	.625	1.250	.344	312-00625
5/8	1-3/8	3/8	3/8	.625	1.375	.413	375-00625
5/8	1-5/8	1/2	1/2	.625	1.625	.550	500-00625
21/32	1-1/32	3/16	3/16	.656	1.031	.207	187-00656
11/16	15/16	1/8	1/8	.687	.937	.138	125-00687
11/16	15/16	1/4	1/8	.687	.937	.275	125-00687-250
11/16	15/16	1/4	1/8	.687	.937	.275	125-00687-250B
11/16	1-1/16	3/16	3/16	.687	1.062	.207	187-00687
11/16	1-1/16	5/16	3/16	.687	1.062	.344	187-00687-312B

## Rubber Energized U-Cup

(Inch Size)

Nominal Part Size				Rod/Groove Dia.	Bore/Groove Dia.	Groove Width	Reference (For order processing)
ID	OD	H	CS	d	D	L	
11/16	1-3/16	1/4	1/4	.687	1.187	.275	250-00687
11/16	1-3/16	3/8	1/4	.687	1.187	.413	250-00687-375B
11/16	1-1/4	9/32	9/32	.687	1.250	.309	281-00687
11/16	1-5/16	5/16	5/16	.687	1.312	.344	312-00687
3/4	1	1/8	1/8	.750	1.000	.138	125-00750
3/4	1	1/8	1/8	.750	1.000	.138	125-00750-125B
3/4	1	3/16	1/8	.750	1.000	.207	125-00750-187B
3/4	1	1/4	1/8	.750	1.000	.275	125-00750-250
3/4	1	1/4	1/8	.750	1.000	.275	125-00750-250B
3/4	1-1/16	5/32	5/32	.750	1.062	.172	156-00750
3/4	1-1/8	3/16	3/16	.750	1.125	.207	187-00750
3/4	1-1/8	1/4	3/16	.750	1.125	.275	187-00750-250
3/4	1-1/8	5/16	3/16	.750	1.125	.344	187-00750-312
3/4	1-1/8	5/16	3/16	.750	1.125	.344	187-00750-312B
3/4	1-3/16	7/32	7/32	.750	1.187	.240	218-00750
3/4	1-1/4	1/4	1/4	.750	1.250	.275	250-00750
3/4	1-1/4	3/8	1/4	.750	1.250	.413	250-00750-375
3/4	1-1/4	3/8	1/4	.750	1.250	.413	250-00750-375B
3/4	1-3/8	5/16	5/16	.750	1.375	.344	312-00750
3/4	1-3/8	1/2	5/16	.750	1.375	.550	312-00750-500
3/4	1-3/8	1/2	5/16	.750	1.375	.550	312-00750-500B
3/4	1-7/16	11/32	11/32	.750	1.437	.377	343-00750
3/4	1-1/2	3/8	3/8	.750	1.500	.413	375-00750
3/4	1-1/2	5/8	3/8	.750	1.500	.688	375-00750-625
3/4	1-3/4	1/2	1/2	.750	1.750	.550	500-00750
.800	1.050	1/4	1/8	.800	1.050	.275	125-00800-250B
13/16	1-1/16	1/8	1/8	.812	1.062	.138	125-00812
13/16	1-1/16	1/8	1/8	.812	1.062	.138	125-00812-125B
13/16	1-1/16	1/4	1/8	.812	1.062	.275	125-00812-250B
13/16	1-3/16	3/16	3/16	.812	1.187	.207	187-00812
13/16	1-3/16	5/16	3/16	.812	1.187	.344	187-00812-312
13/16	1-3/16	5/16	3/16	.812	1.187	.344	187-00812-312B
13/16	1-5/16	1/4	1/4	.812	1.312	.275	250-00812
13/16	1-7/16	5/16	5/16	.812	1.437	.344	312-00812
13/16	1-7/16	1/2	5/16	.812	1.437	.550	312-00812-500B
7/8	1-1/8	1/8	1/8	.875	1.125	.138	125-00875
7/8	1-1/8	3/16	1/8	.875	1.125	.207	125-00875-187
7/8	1-1/8	3/16	1/8	.875	1.125	.207	125-00875-187B
7/8	1-1/8	1/4	1/8	.875	1.125	.275	125-00875-250
7/8	1-1/8	1/4	1/8	.875	1.125	.275	125-00875-250B
7/8	1-1/4	3/16	3/16	.875	1.250	.207	187-00875
7/8	1-1/4	5/16	3/16	.875	1.250	.344	187-00875-312
7/8	1-1/4	5/16	3/16	.875	1.250	.344	187-00875-312B
7/8	1-1/4	3/8	3/16	.875	1.250	.413	187-00875-375
7/8	1-3/8	1/4	1/4	.875	1.375	.275	250-00875

# Rubber Energized U-Cup



(Inch Size)

Nominal Part Size				Rod/Groove Dia.	Bore/Groove Dia.	Groove Width	Reference (For order processing)
ID	OD	H	CS	d	D	L	
7/8	1-3/8	3/8	1/4	.875	1.375	.413	250-00875-375
7/8	1-3/8	3/8	1/4	.875	1.375	.413	250-00875-375B
7/8	1-1/2	5/16	5/16	.875	1.500	.344	312-00875
7/8	1-5/8	3/8	3/8	.875	1.625	.413	375-00875
29/32	1-5/32	1/8	1/8	.906	1.156	.138	125-00906
15/16	1-3/16	1/8	1/8	.937	1.187	.138	125-00937
15/16	1-3/16	1/4	1/8	.937	1.187	.275	125-00937-250B
15/16	1-1/4	5/32	5/32	.937	1.250	.172	156-00937
15/16	1-5/16	3/16	3/16	.937	1.312	.207	187-00937
15/16	1-5/16	5/16	3/16	.937	1.312	.344	187-00937-312B
15/16	1-3/8	7/32	7/32	.937	1.375	.240	218-00937
15/16	1-7/16	1/4	1/4	.937	1.437	.275	250-00937
15/16	1-11/16	3/8	3/8	.937	1.687	.413	375-00937
1	1-1/4	1/8	1/8	1.000	1.250	.138	125-01000
1	1-1/4	1/8	1/8	1.000	1.250	.138	125-01000-125B
1	1-1/4	5/32	1/8	1.000	1.250	.172	125-01000-156B
1	1-1/4	.172	1/8	1.000	1.250	.189	125-01000-172
1	1-1/4	3/16	1/8	1.000	1.250	.207	125-01000-187B
1	1-1/4	1/4	1/8	1.000	1.250	.275	125-01000-250
1	1-1/4	1/4	1/8	1.000	1.250	.275	125-01000-250B
1	1-5/16	5/32	5/32	1.000	1.312	.172	156-01000
1	1-3/8	3/16	3/16	1.000	1.375	.207	187-01000
1	1-3/8	1/4	3/16	1.000	1.375	.275	187-01000-250
1	1-3/8	5/16	3/16	1.000	1.375	.344	187-01000-312
1	1-3/8	5/16	3/16	1.000	1.375	.344	187-01000-312B
1	1-1/2	1/4	1/4	1.000	1.500	.275	250-01000
1	1-1/2	3/8	1/4	1.000	1.500	.413	250-01000-375
1	1-1/2	3/8	1/4	1.000	1.500	.413	250-01000-375B
1	1-5/8	5/16	5/16	1.000	1.625	.344	312-01000
1	1-5/8	1/2	5/16	1.000	1.625	.550	312-01000-500
1	1-5/8	1/2	5/16	1.000	1.625	.550	312-01000-500B
1	1-3/4	3/8	3/8	1.000	1.750	.413	375-01000
1	1-3/4	5/8	3/8	1.000	1.750	.688	375-01000-625
1	1-7/8	7/16	7/16	1.000	1.875	.481	437-01000
1	1-7/8	9/16	7/16	1.000	1.875	.619	437-01000-562
1	2	1/2	1/2	1.000	2.000	.550	500-01000
1	2	3/4	1/2	1.000	2.000	.825	500-01000-750
1-1/16	1-5/16	1/8	1/8	1.062	1.312	.138	125-01062
1-1/16	1-5/16	.170	1/8	1.062	1.312	.187	125-01062-170B
1-1/16	1-5/16	1/4	1/8	1.062	1.312	.275	125-01062-250B
1-1/16	1-3/8	5/32	5/32	1.062	1.375	.172	156-01062
1-1/16	1-7/16	3/16	3/16	1.062	1.437	.207	187-01062
1-1/16	1-7/16	5/16	3/16	1.062	1.437	.344	187-01062-312
1-1/16	1-7/16	5/16	3/16	1.062	1.437	.344	187-01062-312B
1-1/16	1-9/16	1/4	1/4	1.062	1.562	.275	250-01062

## Rubber Energized U-Cup

(Inch Size)

Nominal Part Size				Rod/Groove Dia.	Bore/Groove Dia.	Groove Width	Reference (For order processing)
ID	OD	H	CS	d	D	L	
1-1/16	1-11/16	5/16	5/16	1.062	1.687	.344	312-01062
1-1/16	1-3/4	11/32	11/32	1.062	1.750	.377	343-01062
1-3/32	1-19/32	1/4	1/4	1.093	1.593	.275	250-01093
1-1/8	1-3/8	1/8	1/8	1.125	1.375	.138	125-01125
1-1/8	1-3/8	1/4	1/8	1.125	1.375	.275	125-01125-250
1-1/8	1-3/8	1/4	1/8	1.125	1.375	.275	125-01125-250B
1-1/8	1-1/2	3/16	3/16	1.125	1.500	.207	187-01125
1-1/8	1-1/2	3/16	3/16	1.125	1.500	.207	187-01125-187B
1-1/8	1-1/2	5/16	3/16	1.125	1.500	.344	187-01125-312
1-1/8	1-1/2	5/16	3/16	1.125	1.500	.344	187-01125-312B
1-1/8	1-5/8	1/4	1/4	1.125	1.625	.275	250-01125
1-1/8	1-5/8	3/8	1/4	1.125	1.625	.413	250-01125-375
1-1/8	1-5/8	3/8	1/4	1.125	1.625	.413	250-01125-375B
1-1/8	1-3/4	5/16	5/16	1.125	1.750	.344	312-01125
1-1/8	1-3/4	1/2	5/16	1.125	1.750	.550	312-01125-500
1-1/8	1-7/8	3/8	3/8	1.125	1.875	.413	375-01125
1-1/8	2	1/2	7/16	1.125	2.000	.550	437-01125-500B
1-1/8	2-1/8	1/2	1/2	1.125	2.125	.550	500-01125
1-1/8	2-1/8	3/4	1/2	1.125	2.125	.825	500-01125-750B
1-3/16	1-7/16	1/8	1/8	1.187	1.437	.138	125-01187
1-3/16	1-7/16	3/16	1/8	1.187	1.437	.207	125-01187-187
1-3/16	1-7/16	3/16	1/8	1.187	1.437	.207	125-01187-187B
1-3/16	1-7/16	1/4	1/8	1.187	1.437	.275	125-01187-250B
1-3/16	1-1/2	5/32	5/32	1.187	1.500	.172	156-01187
1-3/16	1-9/16	3/16	3/16	1.187	1.562	.207	187-01187
1-3/16	1-9/16	5/16	3/16	1.187	1.562	.344	187-01187-312B
1-3/16	1-11/16	1/4	1/4	1.187	1.687	.275	250-01187
1-3/16	1-13/16	5/16	5/16	1.187	1.812	.344	312-01187
1-3/16	1-13/16	1/2	5/16	1.187	1.812	.550	312-01187-500
1-3/16	2	13/32	13/32	1.187	2.000	.447	406-01187
1-3/16	2-3/16	1/2	1/2	1.187	2.187	.550	500-01187
1-1/4	1-1/2	1/8	1/8	1.250	1.500	.138	125-01250
1-1/4	1-1/2	3/16	1/8	1.250	1.500	.207	125-01250-187
1-1/4	1-1/2	3/16	1/8	1.250	1.500	.207	125-01250-187B
1-1/4	1-1/2	1/4	1/8	1.250	1.500	.275	125-01250-250
1-1/4	1-1/2	1/4	1/8	1.250	1.500	.275	125-01250-250B
1-1/4	1-9/16	5/32	5/32	1.250	1.562	.172	156-01250
1-1/4	1-5/8	3/16	3/16	1.250	1.625	.207	187-01250
1-1/4	1-5/8	1/4	3/16	1.250	1.625	.275	187-01250-250B
1-1/4	1-5/8	5/16	3/16	1.250	1.625	.344	187-01250-312
1-1/4	1-5/8	5/16	3/16	1.250	1.625	.344	187-01250-312B
1-1/4	1-5/8	3/8	3/16	1.250	1.625	.413	187-01250-375B
1-1/4	1-3/4	1/4	1/4	1.250	1.750	.275	250-01250
1-1/4	1-3/4	3/8	1/4	1.250	1.750	.413	250-01250-375
1-1/4	1-3/4	3/8	1/4	1.250	1.750	.413	250-01250-375B

# Rubber Energized U-Cup



(Inch Size)

Nominal Part Size				Rod/Groove Dia.	Bore/Groove Dia.	Groove Width	Reference (For order processing)
ID	OD	H	CS	d	D	L	
1-1/4	1-7/8	5/16	5/16	1.250	1.875	.344	312-01250
1-1/4	1-7/8	1/2	5/16	1.250	1.875	.550	312-01250-500
1-1/4	1-7/8	1/2	5/16	1.250	1.875	.550	312-01250-500B
1-1/4	2	3/8	3/8	1.250	2.000	.413	375-01250
1-1/4	2	5/8	3/8	1.250	2.000	.688	375-01250-625
1-1/4	2	5/8	3/8	1.250	2.000	.688	375-01250-625B
1-1/4	2-1/16	13/32	13/32	1.250	2.062	.447	406-01250
1-1/4	2-1/8	7/16	7/16	1.250	2.125	.481	437-01250
1-1/4	2-1/4	1/2	1/2	1.250	2.250	.550	500-01250
1-1/4	2-1/2	5/8	5/8	1.250	2.500	.688	625-01250
1-5/16	1-9/16	1/8	1/8	1.312	1.562	.138	125-01312
1-5/16	1-9/16	3/16	1/8	1.312	1.562	.207	125-01312-187B
1-5/16	1-11/16	3/16	3/16	1.312	1.687	.207	187-01312
1-5/16	1-11/16	3/16	3/16	1.312	1.687	.207	187-01312-187B
1-5/16	1-11/16	5/16	3/16	1.312	1.687	.344	187-01312-312B
1-5/16	1-13/16	1/4	1/4	1.312	1.812	.275	250-01312
1-5/16	1-13/16	3/8	1/4	1.312	1.812	.413	250-01312-375B
1-5/16	1-15/16	5/16	5/16	1.312	1.937	.344	312-01312
1-5/16	2	11/32	11/32	1.312	2.000	.377	343-01312
1-5/16	2-1/16	3/8	3/8	1.312	2.062	.413	375-01312
1-5/16	2-1/16	7/16	3/8	1.312	2.062	.481	375-01312-437
1-5/16	2-5/16	1/2	1/2	1.312	2.312	.550	500-01312
1-3/8	1-5/8	1/8	1/8	1.375	1.625	.138	125-01375
1-3/8	1-5/8	1/8	1/8	1.375	1.625	.138	125-01375-125B
1-3/8	1-5/8	.178	1/8	1.375	1.625	.196	125-01375-178B
1-3/8	1-5/8	1/4	1/8	1.375	1.625	.275	125-01375-250
1-3/8	1-5/8	1/4	1/8	1.375	1.625	.275	125-01375-250B
1-3/8	1-11/16	5/32	5/32	1.375	1.687	.172	156-01375
1-3/8	1-3/4	3/16	3/16	1.375	1.750	.207	187-01375
1-3/8	1-3/4	5/16	3/16	1.375	1.750	.344	187-01375-312
1-3/8	1-3/4	5/16	3/16	1.375	1.750	.344	187-01375-312B
1-3/8	1-7/8	1/4	1/4	1.375	1.875	.275	250-01375
1-3/8	1-7/8	3/8	1/4	1.375	1.875	.413	250-01375-375
1-3/8	1-7/8	3/8	1/4	1.375	1.875	.413	250-01375-375B
1-3/8	2	5/16	5/16	1.375	2.000	.344	312-01375
1-3/8	2	1/2	5/16	1.375	2.000	.550	312-01375-500
1-3/8	2	1/2	5/16	1.375	2.000	.550	312-01375-500B
1-3/8	2-1/8	3/8	3/8	1.375	2.125	.413	375-01375
1-3/8	2-1/8	5/8	3/8	1.375	2.125	.688	375-01375-625B
1-3/8	2-1/4	7/16	7/16	1.375	2.250	.481	437-01375
1-3/8	2-3/8	1/2	1/2	1.375	2.375	.550	500-01375
1-7/16	1-11/16	1/8	1/8	1.437	1.687	.138	125-01437
1-7/16	1-11/16	1/4	1/8	1.437	1.687	.275	125-01437-250
1-7/16	1-11/16	1/4	1/8	1.437	1.687	.275	125-01437-250B
1-7/16	1-13/16	3/16	3/16	1.437	1.812	.207	187-01437

## Rubber Energized U-Cup

(Inch Size)

Nominal Part Size				Rod/Groove Dia.	Bore/Groove Dia.	Groove Width	Reference (For order processing)
ID	OD	H	CS	d	D	L	
1-7/16	1-13/16	5/16	3/16	1.437	1.812	.344	187-01437-312
1-7/16	1-13/16	5/16	3/16	1.437	1.812	.344	187-01437-312B
1-7/16	1-15/16	1/4	1/4	1.437	1.937	.275	250-01437
1-7/16	2-1/16	1/2	5/16	1.437	2.062	.550	312-01437-500B
1-7/16	2-3/16	3/8	3/8	1.437	2.187	.413	375-01437
1-7/16	2-1/4	13/32	13/32	1.437	2.250	.447	406-01437
1-7/16	2-5/16	7/16	7/16	1.437	2.312	.481	437-01437
1-1/2	1-3/4	1/8	1/8	1.500	1.750	.138	125-01500
1-1/2	1-3/4	1/8	1/8	1.500	1.750	.138	125-01500-125B
1-1/2	1-3/4	1/4	1/8	1.500	1.750	.275	125-01500-250
1-1/2	1-3/4	1/4	1/8	1.500	1.750	.275	125-01500-250B
1-1/2	1-3/4	5/16	1/8	1.500	1.750	.344	125-01500-312
1-1/2	1-13/16	5/32	5/32	1.500	1.812	.172	156-01500
1-1/2	1-13/16	5/16	5/32	1.500	1.812	.344	156-01500-312B
1-1/2	1-7/8	3/16	3/16	1.500	1.875	.207	187-01500
1-1/2	1-7/8	3/16	3/16	1.500	1.875	.207	187-01500-187B
1-1/2	1-7/8	1/4	3/16	1.500	1.875	.275	187-01500-250B
1-1/2	1-7/8	9/32	3/16	1.500	1.875	.309	187-01500-281
1-1/2	1-7/8	5/16	3/16	1.500	1.875	.344	187-01500-312B
1-1/2	1-7/8	3/8	3/16	1.500	1.875	.413	187-01500-375
1-1/2	1-7/8	3/8	3/16	1.500	1.875	.413	187-01500-375B
1-1/2	2	1/4	1/4	1.500	2.000	.275	250-01500
1-1/2	2	1/4	1/4	1.500	2.000	.275	250-01500-250B
1-1/2	2	3/8	1/4	1.500	2.000	.413	250-01500-375
1-1/2	2	3/8	1/4	1.500	2.000	.413	250-01500-375B
1-1/2	2-1/8	5/16	5/16	1.500	2.125	.344	312-01500
1-1/2	2-1/8	1/2	5/16	1.500	2.125	.550	312-01500-500
1-1/2	2-1/8	1/2	5/16	1.500	2.125	.550	312-01500-500B
1-1/2	2-1/4	3/8	3/8	1.500	2.250	.413	375-01500
1-1/2	2-1/4	5/8	3/8	1.500	2.250	.688	375-01500-625B
1-1/2	2-3/8	7/16	7/16	1.500	2.375	.481	437-01500
1-1/2	2-1/2	1/2	1/2	1.500	2.500	.550	500-01500
1-1/2	2-1/2	3/4	1/2	1.500	2.500	.825	500-01500-750B
1-9/16	1-13/16	1/8	1/8	1.562	1.812	.138	125-01562
1-9/16	1-15/16	3/16	3/16	1.562	1.937	.207	187-01562
1-9/16	1-15/16	1/4	3/16	1.562	1.937	.275	187-01562-250
1-9/16	2-5/16	3/8	3/8	1.562	2.312	.413	375-01562
1-5/8	1-7/8	1/8	1/8	1.625	1.875	.138	125-01625
1-5/8	1-7/8	1/4	1/8	1.625	1.875	.275	125-01625-250
1-5/8	2	3/16	3/16	1.625	2.000	.207	187-01625
1-5/8	2	3/16	3/16	1.625	2.000	.207	187-01625-187B
1-5/8	2	1/4	3/16	1.625	2.000	.275	187-01625-250
1-5/8	2	.266	3/16	1.625	2.000	.293	187-01625-266B
1-5/8	2	5/16	3/16	1.625	2.000	.344	187-01625-312
1-5/8	2	5/16	3/16	1.625	2.000	.344	187-01625-312B



# Rubber Energized U-Cup



(Inch Size)

Nominal Part Size				Rod/Groove Dia.	Bore/Groove Dia.	Groove Width	Reference (For order processing)
ID	OD	H	CS	d	D	L	
1-5/8	2	3/8	3/16	1.625	2.000	.413	187-01625-375
1-5/8	2	3/8	3/16	1.625	2.000	.413	187-01625-375B
1-5/8	2-1/8	1/4	1/4	1.625	2.125	.275	250-01625
1-5/8	2-1/8	3/8	1/4	1.625	2.125	.413	250-01625-375B
1-5/8	2-1/4	5/16	5/16	1.625	2.250	.344	312-01625
1-5/8	2-1/4	1/2	5/16	1.625	2.250	.550	312-01625-500B
1-5/8	2-3/8	3/8	3/8	1.625	2.375	.413	375-01625
1-5/8	2-3/8	3/8	3/8	1.625	2.375	.413	375-01625-375B
1-5/8	2-3/8	5/8	3/8	1.625	2.375	.688	375-01625-625B
1-5/8	2-11/16	17/32	17/32	1.625	2.687	.584	531-01625
1-11/16	1-15/16	1/8	1/8	1.687	1.937	.138	125-01687
1-11/16	2-1/16	3/16	3/16	1.687	2.062	.207	187-01687
1-11/16	2-1/16	3/8	3/16	1.687	2.062	.413	187-01687-375
1-11/16	2-5/16	5/16	5/16	1.687	2.312	.344	312-01687
1-11/16	2-5/16	1/2	5/16	1.687	2.312	.550	312-01687-500
1-11/16	2-5/16	1/2	5/16	1.687	2.312	.550	312-01687-500B
1-11/16	2-1/2	13/32	13/32	1.687	2.500	.447	406-01687
1-3/4	2	1/8	1/8	1.750	2.000	.138	125-01750
1-3/4	2	1/8	1/8	1.750	2.000	.138	125-01750-125B
1-3/4	2	1/4	1/8	1.750	2.000	.275	125-01750-250
1-3/4	2-1/8	3/16	3/16	1.750	2.125	.207	187-01750
1-3/4	2-1/8	.230	3/16	1.750	2.125	.253	187-01750-230B
1-3/4	2-1/8	5/16	3/16	1.750	2.125	.344	187-01750-312B
1-3/4	2-1/8	3/8	3/16	1.750	2.125	.413	187-01750-375
1-3/4	2-1/8	3/8	3/16	1.750	2.125	.413	187-01750-375B
1-3/4	2-3/16	7/32	7/32	1.750	2.187	.240	218-01750
1-3/4	2-1/4	1/4	1/4	1.750	2.250	.275	250-01750
1-3/4	2-1/4	1/4	1/4	1.750	2.250	.275	250-01750-250B
1-3/4	2-1/4	3/8	1/4	1.750	2.250	.413	250-01750-375
1-3/4	2-1/4	3/8	1/4	1.750	2.250	.413	250-01750-375B
1-3/4	2-3/8	5/16	5/16	1.750	2.375	.344	312-01750
1-3/4	2-3/8	1/2	5/16	1.750	2.375	.550	312-01750-500
1-3/4	2-3/8	1/2	5/16	1.750	2.375	.550	312-01750-500B
1-3/4	2-1/2	3/8	3/8	1.750	2.500	.413	375-01750
1-3/4	2-1/2	5/8	3/8	1.750	2.500	.688	375-01750-625B
1-3/4	2-9/16	13/32	13/32	1.750	2.562	.447	406-01750
1-3/4	2-5/8	7/16	7/16	1.750	2.625	.481	437-01750
1-3/4	2-3/4	1/2	1/2	1.750	2.750	.550	500-01750
1-3/4	2-3/4	3/4	1/2	1.750	2.750	.825	500-01750-750
1-3/4	2-3/4	3/4	1/2	1.750	2.750	.825	500-01750-750B
1-3/4	3	5/8	5/8	1.750	3.000	.688	625-01750
1-13/16	2-3/16	3/16	3/16	1.812	2.187	.207	187-01812
1-13/16	2-1/2	11/32	11/32	1.812	2.500	.377	343-01812
1-13/16	3-1/16	5/8	5/8	1.812	3.062	.688	625-01812
1-7/8	2-1/8	1/8	1/8	1.875	2.125	.138	125-01875

## Rubber Energized U-Cup

(Inch Size)

Nominal Part Size				Rod/Groove Dia.	Bore/Groove Dia.	Groove Width	Reference (For order processing)
ID	OD	H	CS	d	D	L	
1-7/8	2-1/8	1/8	1/8	1.875	2.125	.138	125-01875-125B
1-7/8	2-1/4	3/16	3/16	1.875	2.250	.207	187-01875
1-7/8	2-1/4	3/8	3/16	1.875	2.250	.413	187-01875-375
1-7/8	2-1/4	3/8	3/16	1.875	2.250	.413	187-01875-375B
1-7/8	2-3/8	1/4	1/4	1.875	2.375	.275	250-01875
1-7/8	2-3/8	3/8	1/4	1.875	2.375	.413	250-01875-375B
1-7/8	2-1/2	5/16	5/16	1.875	2.500	.344	312-01875
1-7/8	2-1/2	1/2	5/16	1.875	2.500	.550	312-01875-500
1-7/8	2-1/2	1/2	5/16	1.875	2.500	.550	312-01875-500B
1-7/8	2-5/8	3/8	3/8	1.875	2.625	.413	375-01875
1-7/8	2-5/8	5/8	3/8	1.875	2.625	.688	375-01875-625
1-7/8	2-3/4	7/16	7/16	1.875	2.750	.481	437-01875
1-7/8	2-7/8	1/2	1/2	1.875	2.875	.550	500-01875
1-7/8	3	7/8	9/16	1.875	3.000	.963	562-01875-875
1-7/8	3-1/8	1	5/8	1.875	3.125	1.100	625-01875-1000
1-15/16	2-5/16	3/16	3/16	1.937	2.312	.207	187-01937
1-15/16	2-5/16	9/32	3/16	1.937	2.312	.309	187-01937-281B
1-15/16	2-5/16	3/8	3/16	1.937	2.312	.413	187-01937-375
1-15/16	2-7/16	3/8	1/4	1.937	2.437	.413	250-01937-375B
1-15/16	2-9/16	5/16	5/16	1.937	2.562	.344	312-01937
2	2-1/4	1/8	1/8	2.000	2.250	.138	125-02000
2	2-1/4	3/16	1/8	2.000	2.250	.207	125-02000-187B
2	2-1/4	1/4	1/8	2.000	2.250	.275	125-02000-250
2	2-3/8	3/16	3/16	2.000	2.375	.207	187-02000
2	2-3/8	3/16	3/16	2.000	2.375	.207	187-02000-187B
2	2-3/8	.230	3/16	2.000	2.375	.253	187-02000-230B
2	2-3/8	5/16	3/16	2.000	2.375	.344	187-02000-312B
2	2-3/8	3/8	3/16	2.000	2.375	.413	187-02000-375
2	2-3/8	3/8	3/16	2.000	2.375	.413	187-02000-375B
2	2-1/2	1/4	1/4	2.000	2.500	.275	250-02000
2	2-1/2	1/4	1/4	2.000	2.500	.275	250-02000-250B
2	2-1/2	3/8	1/4	2.000	2.500	.413	250-02000-375
2	2-1/2	3/8	1/4	2.000	2.500	.413	250-02000-375B
2	2-5/8	5/16	5/16	2.000	2.625	.344	312-02000
2	2-5/8	1/2	5/16	2.000	2.625	.550	312-02000-500
2	2-5/8	1/2	5/16	2.000	2.625	.550	312-02000-500B
2	2.690	3/8	.345	2.000	2.690	.413	345-02000-375
2	2-3/4	3/8	3/8	2.000	2.750	.413	375-02000
2	2-3/4	1/2	3/8	2.000	2.750	.550	375-02000-500
2	2-3/4	5/8	3/8	2.000	2.750	.688	375-02000-625
2	2-3/4	5/8	3/8	2.000	2.750	.688	375-02000-625B
2	2-7/8	7/16	7/16	2.000	2.875	.481	437-02000
2	3	1/2	1/2	2.000	3.000	.550	500-02000
2	3	3/4	1/2	2.000	3.000	.825	500-02000-750B
2	3-1/4	5/8	5/8	2.000	3.250	.688	625-02000

# Rubber Energized U-Cup



(Inch Size)

Nominal Part Size				Rod/Groove Dia.	Bore/Groove Dia.	Groove Width	Reference (For order processing)
ID	OD	H	CS	d	D	L	
2	3-1/2	1-1/8	3/4	2.000	3.500	.1238	750-02000-1125
2-1/16	2-3/8	5/32	5/32	2.062	2.375	.172	156-02062
2-1/16	2-7/16	3/16	3/16	2.062	2.437	.207	187-02062
2-1/16	2-1/2	7/32	7/32	2.062	2.500	.240	218-02062
2-1/16	2-13/16	3/8	3/8	2.062	2.812	.413	375-02062
2-1/8	2-3/8	1/8	1/8	2.125	2.375	.138	125-02125
2-1/8	2-3/8	1/4	1/8	2.125	2.375	.275	125-02125-250B
2-1/8	2-1/2	3/16	3/16	2.125	2.500	.207	187-02125
2-1/8	2-1/2	3/16	3/16	2.125	2.500	.207	187-02125-187B
2-1/8	2-1/2	1/4	3/16	2.125	2.500	.275	187-02125-250
2-1/8	2-1/2	3/8	3/16	2.125	2.500	.413	187-02125-375
2-1/8	2-1/2	3/8	3/16	2.125	2.500	.413	187-02125-375B
2-1/8	2-5/8	1/4	1/4	2.125	2.625	.275	250-02125
2-1/8	2-5/8	1/4	1/4	2.125	2.625	.275	250-02125-250B
2-1/8	2-5/8	3/8	1/4	2.125	2.625	.413	250-02125-375
2-1/8	2-5/8	3/8	1/4	2.125	2.625	.413	250-02125-375B
2-1/8	2-3/4	5/16	5/16	2.125	2.750	.344	312-02125
2-1/8	2-3/4	1/2	5/16	2.125	2.750	.550	312-02125-500
2-1/8	2-3/4	1/2	5/16	2.125	2.750	.550	312-02125-500B
2-1/8	2-7/8	3/8	3/8	2.125	2.875	.413	375-02125
2-1/8	2-7/8	5/8	3/8	2.125	2.875	.688	375-02125-625
2-1/8	3	7/16	7/16	2.125	3.000	.481	437-02125
2-1/8	3-1/8	1/2	1/2	2.125	3.125	.550	500-02125
2-3/16	2-9/16	3/8	3/16	2.187	2.562	.413	187-02187-375
2-3/16	3	13/32	13/32	2.187	3.000	.447	406-02187
2-1/4	2-1/2	1/8	1/8	2.250	2.500	.138	125-02250
2-1/4	2-5/8	3/16	3/16	2.250	2.625	.207	187-02250
2-1/4	2-5/8	3/8	3/16	2.250	2.625	.413	187-02250-375
2-1/4	2-5/8	3/8	3/16	2.250	2.625	.413	187-02250-375B
2-1/4	2-3/4	1/4	1/4	2.250	2.750	.275	250-02250
2-1/4	2-3/4	3/8	1/4	2.250	2.750	.413	250-02250-375
2-1/4	2-3/4	3/8	1/4	2.250	2.750	.413	250-02250-375B
2-1/4	2-13/16	3/8	9/32	2.250	2.812	.413	281-02250-375B
2-1/4	2-7/8	5/16	5/16	2.250	2.875	.344	312-02250
2-1/4	2-7/8	1/2	5/16	2.250	2.875	.550	312-02250-500B
2-1/4	3	3/8	3/8	2.250	3.000	.413	375-02250
2-1/4	3	5/8	3/8	2.250	3.000	.688	375-02250-625
2-1/4	3	5/8	3/8	2.250	3.000	.688	375-02250-625B
2-1/4	3-1/8	3/8	7/16	2.250	3.125	.413	437-02250-375
2-1/4	3-1/8	5/8	7/16	2.250	3.125	.688	437-02250-625B
2-1/4	3-1/4	1/2	1/2	2.250	3.250	.550	500-02250
2-1/4	3-3/8	7/8	9/16	2.250	3.375	.963	562-02250-875
2-1/4	3-1/2	5/8	5/8	2.250	3.500	.688	625-02250
2-5/16	2-7/8	9/32	9/32	2.312	2.875	.309	281-02312
2-5/16	2-15/16	5/16	5/16	2.312	2.937	.344	312-02312

## Rubber Energized U-Cup

(Inch Size)

Nominal Part Size				Rod/Groove Dia.	Bore/Groove Dia.	Groove Width	Reference (For order processing)
ID	OD	H	CS	d	D	L	
2-5/16	3	11/32	11/32	2.312	3.000	.377	343-02312
2-3/8	2-5/8	1/8	1/8	2.375	2.625	.138	125-02375
2-3/8	2-5/8	1/4	1/8	2.375	2.625	.275	125-02375-250
2-3/8	2-3/4	3/16	3/16	2.375	2.750	.207	187-02375
2-3/8	2-3/4	.266	3/16	2.375	2.750	.293	187-02375-266B
2-3/8	2-3/4	9/32	3/16	2.375	2.750	.309	187-02375-281B
2-3/8	2-3/4	3/8	3/16	2.375	2.750	.413	187-02375-375
2-3/8	2-3/4	3/8	3/16	2.375	2.750	.413	187-02375-375B
2-3/8	2-3/4	7/16	3/16	2.375	2.750	.481	187-02375-437B
2-3/8	2-7/8	1/4	1/4	2.375	2.875	.275	250-02375
2-3/8	2-7/8	3/8	1/4	2.375	2.875	.413	250-02375-375B
2-3/8	3	5/16	5/16	2.375	3.000	.344	312-02375
2-3/8	3	1/2	5/16	2.375	3.000	.550	312-02375-500
2-3/8	3	1/2	5/16	2.375	3.000	.550	312-02375-500B
2-3/8	3-1/8	3/8	3/8	2.375	3.125	.413	375-02375
2-3/8	3-1/8	5/8	3/8	2.375	3.125	.688	375-02375-625B
2-3/8	3-3/8	1/2	1/2	2.375	3.375	.550	500-02375
2-3/8	3-1/2	7/8	9/16	2.375	3.500	.963	562-02375-875B
2-3/8	3-5/8	5/8	5/8	2.375	3.625	.688	625-02375
2-7/16	3-3/16	3/8	3/8	2.437	3.187	.413	375-02437
2-1/2	2-3/4	1/8	1/8	2.500	2.750	.138	125-02500
2-1/2	2-3/4	1/4	1/8	2.500	2.750	.275	125-02500-250
2-1/2	2-3/4	1/4	1/8	2.500	2.750	.275	125-02500-250B
2-1/2	2-7/8	3/16	3/16	2.500	2.875	.207	187-02500
2-1/2	2-7/8	1/4	3/16	2.500	2.875	.275	187-02500-250B
2-1/2	2-7/8	3/8	3/16	2.500	2.875	.413	187-02500-375
2-1/2	2-7/8	3/8	3/16	2.500	2.875	.413	187-02500-375B
2-1/2	2-15/16	7/32	7/32	2.500	2.937	.240	218-02500
2-1/2	3	1/4	1/4	2.500	3.000	.275	250-02500
2-1/2	3	1/4	1/4	2.500	3.000	.275	250-02500-250B
2-1/2	3	3/8	1/4	2.500	3.000	.413	250-02500-375
2-1/2	3	3/8	1/4	2.500	3.000	.413	250-02500-375B
2-1/2	3-1/8	5/16	5/16	2.500	3.125	.344	312-02500
2-1/2	3-1/8	1/2	5/16	2.500	3.125	.550	312-02500-500
2-1/2	3-1/8	1/2	5/16	2.500	3.125	.550	312-02500-500B
2-1/2	3-3/16	11/32	11/32	2.500	3.187	.377	343-02500
2-1/2	3-1/4	3/8	3/8	2.500	3.250	.413	375-02500
2-1/2	3-1/4	5/8	3/8	2.500	3.250	.688	375-02500-625
2-1/2	3-1/4	5/8	3/8	2.500	3.250	.688	375-02500-625B
2-1/2	3-1/4	15/16	3/8	2.500	3.250	1.031	375-02500-937
2-1/2	3-3/8	7/16	7/16	2.500	3.375	.481	437-02500
2-1/2	3-3/8	5/8	7/16	2.500	3.375	.688	437-02500-625B
2-1/2	3-1/2	1/2	1/2	2.500	3.500	.550	500-02500
2-1/2	3-1/2	3/4	1/2	2.500	3.500	.825	500-02500-750
2-1/2	3-1/2	3/4	1/2	2.500	3.500	.825	500-02500-750B

# Rubber Energized U-Cup



(Inch Size)

Nominal Part Size				Rod/Groove Dia.	Bore/Groove Dia.	Groove Width	Reference (For order processing)
ID	OD	H	CS	d	D	L	
2-1/2	3-5/8	9/16	9/16	2.500	3.625	.619	562-02500
2-1/2	3-3/4	5/8	5/8	2.500	3.750	.688	625-02500
2-9/16	3	7/32	7/32	2.562	3.000	.240	218-02562
2-9/16	3-1/16	3/8	1/4	2.562	3.062	.413	250-02562-375B
2-9/16	3-1/8	9/32	9/32	2.562	3.125	.309	281-02562
2-9/16	3-3/16	5/16	5/16	2.562	3.187	.344	312-02562
2-5/8	2-7/8	1/8	1/8	2.625	2.875	.138	125-02625
2-5/8	3	3/16	3/16	2.625	3.000	.207	187-02625
2-5/8	3	9/32	3/16	2.625	3.000	.309	187-02625-281B
2-5/8	3	3/8	3/16	2.625	3.000	.413	187-02625-375
2-5/8	3	3/8	3/16	2.625	3.000	.413	187-02625-375B
2-5/8	3-1/8	1/4	1/4	2.625	3.125	.275	250-02625
2-5/8	3-1/8	3/8	1/4	2.625	3.125	.413	250-02625-375
2-5/8	3-1/8	3/8	1/4	2.625	3.125	.413	250-02625-375B
2-5/8	3-1/4	5/16	5/16	2.625	3.250	.344	312-02625
2-5/8	3-1/4	1/2	5/16	2.625	3.250	.550	312-02625-500
2-5/8	3-1/4	1/2	5/16	2.625	3.250	.550	312-02625-500B
2-5/8	3-3/8	3/8	3/8	2.625	3.375	.413	375-02625
2-5/8	3-3/8	5/8	3/8	2.625	3.375	.688	375-02625-625B
2-5/8	3-3/4	9/16	9/16	2.625	3.750	.619	562-02625
2-11/16	3-3/8	11/32	11/32	2.687	3.375	.377	343-02687
2-11/16	3-7/16	3/8	3/8	2.687	3.437	.413	375-02687
2-11/16	3-1/2	13/32	13/32	2.687	3.500	.447	406-02687
2-3/4	3	1/8	1/8	2.750	3.000	.138	125-02750
2-3/4	3-1/8	3/16	3/16	2.750	3.125	.207	187-02750
2-3/4	3-1/8	3/16	3/16	2.750	3.125	.207	187-02750-187B
2-3/4	3-1/8	9/32	3/16	2.750	3.125	.309	187-02750-281B
2-3/4	3-1/8	3/8	3/16	2.750	3.125	.413	187-02750-375
2-3/4	3-1/8	3/8	3/16	2.750	3.125	.413	187-02750-375B
2-3/4	3-1/4	1/4	1/4	2.750	3.250	.275	250-02750
2-3/4	3-1/4	.288	1/4	2.750	3.250	.317	250-02750-288
2-3/4	3-1/4	3/8	1/4	2.750	3.250	.413	250-02750-375
2-3/4	3-1/4	3/8	1/4	2.750	3.250	.413	250-02750-375B
2-3/4	3-3/8	5/16	5/16	2.750	3.375	.344	312-02750
2-3/4	3-3/8	1/2	5/16	2.750	3.375	.550	312-02750-500B
2-3/4	3-1/2	3/8	3/8	2.750	3.500	.413	375-02750
2-3/4	3-1/2	5/8	3/8	2.750	3.500	.688	375-02750-625
2-3/4	3-1/2	5/8	3/8	2.750	3.500	.688	375-02750-625B
2-3/4	3-3/4	1/2	1/2	2.750	3.750	.550	500-02750
2-3/4	4	5/8	5/8	2.750	4.000	.688	625-02750
2-3/4	4	1	5/8	2.750	4.000	1.100	625-02750-1000
2-3/4	4	1	5/8	2.750	4.000	1.100	625-02750-1000B
2-3/4	4-1/4	1-1/8	3/4	2.750	4.250	1.238	750-02750-1125
2-13/16	3-1/4	7/32	7/32	2.812	3.250	.240	218-02812
2-13/16	3-1/2	3/8	11/32	2.812	3.500	.413	343-02812-375

## Rubber Energized U-Cup

(Inch Size)

Nominal Part Size				Rod/Groove Dia.	Bore/Groove Dia.	Groove Width	Reference (For order processing)
ID	OD	H	CS	d	D	L	
2-13/16	4-1/16	5/8	5/8	2.812	4.062	.688	625-02812
2-7/8	3-1/8	1/8	1/8	2.875	3.125	.138	125-02875
2-7/8	3-1/4	3/16	3/16	2.875	3.250	.207	187-02875
2-7/8	3-1/4	9/32	3/16	2.875	3.250	.309	187-02875-281B
2-7/8	3-1/4	3/8	3/16	2.875	3.250	.413	187-02875-375B
2-7/8	3-3/8	1/4	1/4	2.875	3.375	.275	250-02875
2-7/8	3-3/8	3/8	1/4	2.875	3.375	.413	250-02875-375B
2-7/8	3-1/2	5/16	5/16	2.875	3.500	.344	312-02875
2-7/8	3-1/2	1/2	5/16	2.875	3.500	.550	312-02875-500B
2-7/8	3-5/8	3/8	3/8	2.875	3.625	.413	375-02875
2-7/8	3-5/8	5/8	3/8	2.875	3.625	.688	375-02875-625B
2-7/8	3-3/4	7/16	7/16	2.875	3.750	.481	437-02875
2-7/8	3-7/8	1/2	1/2	2.875	3.875	.550	500-02875
2-7/8	4	7/8	9/16	2.875	4.000	.963	562-02875-875
2-7/8	4-1/8	1	5/8	2.875	4.125	1.100	625-02875-1000
2-7/8	4-1/8	1	5/8	2.875	4.125	1.100	625-02875-1000B
2-15/16	3-1/2	1/2	9/32	2.937	3.500	.550	281-02937-500B
2-15/16	3-11/16	3/8	3/8	2.937	3.687	.413	375-02937
3	3-1/4	1/8	1/8	3.000	3.250	.138	125-03000
3	3-1/4	1/4	1/8	3.000	3.250	.275	125-03000-250
3	3-3/8	3/16	3/16	3.000	3.375	.207	187-03000
3	3-3/8	1/4	3/16	3.000	3.375	.275	187-03000-250B
3	3-3/8	3/8	3/16	3.000	3.375	.413	187-03000-375
3	3-3/8	3/8	3/16	3.000	3.375	.413	187-03000-375B
3	3-7/16	7/32	7/32	3.000	3.437	.240	218-03000
3	3-1/2	1/4	1/4	3.000	3.500	.275	250-03000
3	3-1/2	1/4	1/4	3.000	3.500	.275	250-03000-250B
3	3-1/2	3/8	1/4	3.000	3.500	.413	250-03000-375
3	3-1/2	3/8	1/4	3.000	3.500	.413	250-03000-375B
3	3-5/8	5/16	5/16	3.000	3.625	.344	312-03000
3	3-5/8	1/2	5/16	3.000	3.625	.550	312-03000-500
3	3-5/8	1/2	5/16	3.000	3.625	.550	312-03000-500B
3	3-5/8	9/16	5/16	3.000	3.625	.619	312-03000-562
3	3-3/4	3/8	3/8	3.000	3.750	.413	375-03000
3	3-3/4	1/2	3/8	3.000	3.750	.550	375-03000-500B
3	3-3/4	5/8	3/8	3.000	3.750	.688	375-03000-625
3	3-3/4	5/8	3/8	3.000	3.750	.688	375-03000-625B
3	3-7/8	7/16	7/16	3.000	3.875	.481	437-03000
3	3-7/8	11/16	7/16	3.000	3.875	.756	437-03000-687
3	4	1/2	1/2	3.000	4.000	.550	500-03000
3	4	3/4	1/2	3.000	4.000	.825	500-03000-750
3	4	3/4	1/2	3.000	4.000	.825	500-03000-750B
3	4-1/4	5/8	5/8	3.000	4.250	.688	625-03000
3	4-3/8	11/16	11/16	3.000	4.375	.756	687-03000
3	4-1/2	3/4	3/4	3.000	4.500	.825	750-03000

# Rubber Energized U-Cup



(Inch Size)

Nominal Part Size				Rod/Groove Dia.	Bore/Groove Dia.	Groove Width	Reference (For order processing)
ID	OD	H	CS	d	D	L	
3	5	1	1	3.000	5.000	1.100	1000-03000
3-1/16	3-1/2	7/32	7/32	3.062	3.500	.240	218-03062
3-1/8	3-1/2	3/16	3/16	3.125	3.500	.207	187-03125
3-1/8	3-1/2	3/16	3/16	3.125	3.500	.207	187-03125-187B
3-1/8	3-1/2	3/8	3/16	3.125	3.500	.413	187-03125-375
3-1/8	3-1/2	3/8	3/16	3.125	3.500	.413	187-03125-375B
3-1/8	3-5/8	1/4	1/4	3.125	3.625	.275	250-03125
3-1/8	3-5/8	3/8	1/4	3.125	3.625	.413	250-03125-375
3-1/8	3-3/4	5/16	5/16	3.125	3.750	.344	312-03125
3-1/8	3-7/8	3/8	3/8	3.125	3.875	.413	375-03125
3-1/8	3-7/8	5/8	3/8	3.125	3.875	.688	375-03125-625B
3-1/8	4	7/16	7/16	3.125	4.000	.481	437-03125
3-1/8	4	11/16	7/16	3.125	4.000	.756	437-03125-687B
3-1/8	4-5/8	3/4	3/4	3.125	4.625	.825	750-03125
3-1/4	3-1/2	1/8	1/8	3.250	3.500	.138	125-03250
3-1/4	3-5/8	3/16	3/16	3.250	3.625	.207	187-03250
3-1/4	3-5/8	3/8	3/16	3.250	3.625	.413	187-03250-375
3-1/4	3-5/8	3/8	3/16	3.250	3.625	.413	187-03250-375B
3-1/4	3-3/4	1/4	1/4	3.250	3.750	.275	250-03250
3-1/4	3-3/4	3/8	1/4	3.250	3.750	.413	250-03250-375
3-1/4	3-3/4	3/8	1/4	3.250	3.750	.413	250-03250-375B
3-1/4	3-7/8	5/16	5/16	3.250	3.875	.344	312-03250
3-1/4	3-7/8	1/2	5/16	3.250	3.875	.550	312-03250-500
3-1/4	3-7/8	1/2	5/16	3.250	3.875	.550	312-03250-500B
3-1/4	4	3/8	3/8	3.250	4.000	.413	375-03250
3-1/4	4	5/8	3/8	3.250	4.000	.688	375-03250-625
3-1/4	4	5/8	3/8	3.250	4.000	.688	375-03250-625B
3-1/4	4-1/8	7/16	7/16	3.250	4.125	.481	437-03250
3-1/4	4-1/4	1/2	1/2	3.250	4.250	.550	500-03250
3-1/4	4-1/4	3/4	1/2	3.250	4.250	.825	500-03250-750B
3-1/4	4-1/2	5/8	5/8	3.250	4.500	.688	625-03250
3-1/4	4-1/2	1	5/8	3.250	4.500	1.100	625-03250-1000B
3-11/32	3-15/16	15/32	19/64	3.343	3.937	.517	297-03343-470
3-3/8	3-3/4	3/16	3/16	3.375	3.750	.207	187-03375
3-3/8	3-3/4	3/16	3/16	3.375	3.750	.207	187-03375-187B
3-3/8	3-3/4	1/4	3/16	3.375	3.750	.275	187-03375-250B
3-3/8	3-3/4	3/8	3/16	3.375	3.750	.413	187-03375-375
3-3/8	3-3/4	3/8	3/16	3.375	3.750	.413	187-03375-375B
3-3/8	3-7/8	1/4	1/4	3.375	3.875	.275	250-03375
3-3/8	3-7/8	3/8	1/4	3.375	3.875	.413	250-03375-375
3-3/8	3-7/8	3/8	1/4	3.375	3.875	.413	250-03375-375B
3-3/8	4	5/16	5/16	3.375	4.000	.344	312-03375
3-3/8	4	5/16	5/16	3.375	4.000	.344	312-03375-312B
3-3/8	4	1/2	5/16	3.375	4.000	.550	312-03375-500
3-3/8	4	1/2	5/16	3.375	4.000	.550	312-03375-500B

## Rubber Energized U-Cup

(Inch Size)

Nominal Part Size				Rod/Groove Dia.	Bore/Groove Dia.	Groove Width	Reference (For order processing)
ID	OD	H	CS	d	D	L	
3-3/8	4-1/8	3/8	3/8	3.375	4.125	.413	375-03375
3-3/8	4-1/8	5/8	3/8	3.375	4.125	.688	375-03375-625B
3-3/8	4-1/4	1/2	7/16	3.375	4.250	.550	437-03375-500B
3-3/8	4-3/8	5/8	1/2	3.375	4.375	.688	500-03375-625
3-3/8	4-3/8	5/8	1/2	3.375	4.375	.688	500-03375-625B
3-3/8	4-5/8	5/8	5/8	3.375	4.625	.688	625-03375
3-7/16	3-7/8	7/32	7/32	3.437	3.875	.240	218-03437
3-7/16	4	1/2	9/32	3.437	4.000	.550	281-03437-500B
3-1/2	3-3/4	1/8	1/8	3.500	3.750	.138	125-03500
3-1/2	3-3/4	1/4	1/8	3.500	3.750	.275	125-03500-250
3-1/2	3-7/8	3/16	3/16	3.500	3.875	.207	187-03500
3-1/2	3-7/8	.266	3/16	3.500	3.875	.293	187-03500-266B
3-1/2	3-7/8	9/32	3/16	3.500	3.875	.309	187-03500-281B
3-1/2	3-7/8	3/8	3/16	3.500	3.875	.413	187-03500-375
3-1/2	3-7/8	3/8	3/16	3.500	3.875	.413	187-03500-375B
3-1/2	4	1/4	1/4	3.500	4.000	.275	250-03500
3-1/2	4	3/8	1/4	3.500	4.000	.413	250-03500-375
3-1/2	4	3/8	1/4	3.500	4.000	.413	250-03500-375B
3-1/2	4-1/8	5/16	5/16	3.500	4.125	.344	312-03500
3-1/2	4-1/8	1/2	5/16	3.500	4.125	.550	312-03500-500
3-1/2	4-1/8	1/2	5/16	3.500	4.125	.550	312-03500-500B
3-1/2	4-1/4	3/8	3/8	3.500	4.250	.413	375-03500
3-1/2	4-1/4	5/8	3/8	3.500	4.250	.688	375-03500-625
3-1/2	4-1/4	5/8	3/8	3.500	4.250	.688	375-03500-625B
3-1/2	4-1/2	1/2	1/2	3.500	4.500	.550	500-03500
3-1/2	4-1/2	3/4	1/2	3.500	4.500	.825	500-03500-750
3-1/2	4-1/2	3/4	1/2	3.500	4.500	.825	500-03500-750B
3-1/2	4-3/4	5/8	5/8	3.500	4.750	.688	625-03500
3-1/2	4-3/4	1	5/8	3.500	4.750	1.100	625-03500-1000
3-1/2	5	3/4	3/4	3.500	5.000	.825	750-03500
3-5/8	3-7/8	1/8	1/8	3.625	3.875	.138	125-03625
3-5/8	3-7/8	3/16	1/8	3.625	3.875	.207	125-03625-187B
3-5/8	4	3/16	3/16	3.625	4.000	.207	187-03625
3-5/8	4	3/8	3/16	3.625	4.000	.413	187-03625-375
3-5/8	4	3/8	3/16	3.625	4.000	.413	187-03625-375B
3-5/8	4-1/8	1/4	1/4	3.625	4.125	.275	250-03625
3-5/8	4-1/8	3/8	1/4	3.625	4.125	.413	250-03625-375
3-5/8	4-1/8	3/8	1/4	3.625	4.125	.413	250-03625-375B
3-5/8	4-1/4	5/16	5/16	3.625	4.250	.344	312-03625
3-5/8	4-1/4	1/2	5/16	3.625	4.250	.550	312-03625-500B
3-5/8	4-3/8	3/8	3/8	3.625	4.375	.413	375-03625
3-5/8	4-3/8	5/8	3/8	3.625	4.375	.688	375-03625-625B
3-5/8	4-1/2	7/16	7/16	3.625	4.500	.481	437-03625
3-5/8	4-5/8	1/2	1/2	3.625	4.625	.550	500-03625
3-11/16	4-1/4	3/8	9/32	3.687	4.250	.413	281-03687-375



# Rubber Energized U-Cup



(Inch Size)

Nominal Part Size				Rod/Groove Dia.	Bore/Groove Dia.	Groove Width	Reference (For order processing)
ID	OD	H	CS	d	D	L	
3-3/4	4-1/8	3/16	3/16	3.750	4.125	.207	187-03750
3-3/4	4-1/8	3/8	3/16	3.750	4.125	.413	187-03750-375
3-3/4	4-1/8	3/8	3/16	3.750	4.125	.413	187-03750-375B
3-3/4	4-1/4	1/4	1/4	3.750	4.250	.275	250-03750
3-3/4	4-1/4	3/8	1/4	3.750	4.250	.413	250-03750-375
3-3/4	4-1/4	3/8	1/4	3.750	4.250	.413	250-03750-375B
3-3/4	4-1/4	9/16	1/4	3.750	4.250	.619	250-03750-562B
3-3/4	4-3/8	5/16	5/16	3.750	4.375	.344	312-03750
3-3/4	4-3/8	3/8	5/16	3.750	4.375	.413	312-03750-375B
3-3/4	4-3/8	1/2	5/16	3.750	4.375	.550	312-03750-500B
3-3/4	4-3/8	5/8	5/16	3.750	4.375	.688	312-03750-625B
3-3/4	4-1/2	3/8	3/8	3.750	4.500	.413	375-03750
3-3/4	4-1/2	5/8	3/8	3.750	4.500	.688	375-03750-625
3-3/4	4-1/2	5/8	3/8	3.750	4.500	.688	375-03750-625B
3-3/4	4-3/4	1/2	1/2	3.750	4.750	.550	500-03750
3-3/4	4-3/4	11/16	1/2	3.750	4.750	.756	500-03750-687
3-3/4	4-3/4	.690	1/2	3.750	4.750	.759	500-03750-690B
3-3/4	5	5/8	5/8	3.750	5.000	.688	625-03750
3-3/4	5	1	5/8	3.750	5.000	1.100	625-03750-1000B
3-3/4	5-1/4	3/4	3/4	3.750	5.250	.825	750-03750
3-27/32	4-19/32	3/8	3/8	3.843	4.593	.413	375-03843
3.850	4.350	1/4	1/4	3.850	4.350	.275	250-03850
3-7/8	4-1/4	3/16	3/16	3.875	4.250	.207	187-03875
3-7/8	4-1/4	3/8	3/16	3.875	4.250	.413	187-03875-375B
3-7/8	4-3/8	1/4	1/4	3.875	4.375	.275	250-03875
3-7/8	4-3/8	3/8	1/4	3.875	4.375	.413	250-03875-375
3-7/8	4-7/16	1/2	9/32	3.875	4.437	.550	281-03875-500
3-7/8	4-1/2	5/16	5/16	3.875	4.500	.344	312-03875
3-7/8	4-1/2	1/2	5/16	3.875	4.500	.550	312-03875-500
3-7/8	4-5/8	3/8	3/8	3.875	4.625	.413	375-03875
3-7/8	4-5/8	5/8	3/8	3.875	4.625	.688	375-03875-625B
3-7/8	4-3/4	1/2	7/16	3.875	4.750	.550	437-03875-500B
3-7/8	4-3/4	3/4	7/16	3.875	4.750	.825	437-03875-750B
3-7/8	4-7/8	3/4	1/2	3.875	4.875	.825	500-03875-750B
3-7/8	5-1/8	5/8	5/8	3.875	5.125	.688	625-03875
3-15/16	4-1/2	1/2	9/32	3.937	4.500	.550	281-03937-500B
4	4-1/4	1/8	1/8	4.000	4.250	.138	125-04000
4	4-3/8	3/16	3/16	4.000	4.375	.207	187-04000
4	4-3/8	3/16	3/16	4.000	4.375	.207	187-04000-187B
4	4-3/8	3/8	3/16	4.000	4.375	.413	187-04000-375
4	4-3/8	3/8	3/16	4.000	4.375	.413	187-04000-375B
4	4-1/2	1/4	1/4	4.000	4.500	.275	250-04000
4	4-1/2	3/8	1/4	4.000	4.500	.413	250-04000-375
4	4-1/2	3/8	1/4	4.000	4.500	.413	250-04000-375B
4	4-1/2	9/16	1/4	4.000	4.500	.619	250-04000-562

## Rubber Energized U-Cup

(Inch Size)

Nominal Part Size				Rod/Groove Dia.	Bore/Groove Dia.	Groove Width	Reference (For order processing)
ID	OD	H	CS	d	D	L	
4	4-1/2	9/16	1/4	4.000	4.500	.619	250-04000-562B
4	4-5/8	5/16	5/16	4.000	4.625	.344	312-04000
4	4-5/8	1/2	5/16	4.000	4.625	.550	312-04000-500
4	4-5/8	9/16	5/16	4.000	4.625	.619	312-04000-562
4	4-5/8	9/16	5/16	4.000	4.625	.619	312-04000-562B
4	4-3/4	3/8	3/8	4.000	4.750	.413	375-04000
4	4-3/4	5/8	3/8	4.000	4.750	.688	375-04000-625
4	4-3/4	5/8	3/8	4.000	4.750	.688	375-04000-625B
4	4-7/8	7/16	7/16	4.000	4.875	.481	437-04000
4	4-7/8	5/8	7/16	4.000	4.875	.688	437-04000-625
4	4-7/8	5/8	7/16	4.000	4.875	.688	437-04000-625B
4	5	1/2	1/2	4.000	5.000	.550	500-04000
4	5	3/4	1/2	4.000	5.000	.825	500-04000-750
4	5	3/4	1/2	4.000	5.000	.825	500-04000-750B
4	5-1/4	5/8	5/8	4.000	5.250	.688	625-04000
4	5-1/2	3/4	3/4	4.000	5.500	.825	750-04000
4	6	1	1	4.000	6.000	1.100	1000-04000
4-1/16	4-9/16	3/8	1/4	4.062	4.562	.413	250-04062-375B
4-1/16	4-13/16	3/8	3/8	4.062	4.812	.413	375-04062
4-1/8	4-1/2	3/16	3/16	4.125	4.500	.207	187-04125
4-1/8	4-1/2	3/8	3/16	4.125	4.500	.413	187-04125-375
4-1/8	4-1/2	3/8	3/16	4.125	4.500	.413	187-04125-375B
4-1/8	4-5/8	1/4	1/4	4.125	4.625	.275	250-04125
4-1/8	4-5/8	9/16	1/4	4.125	4.625	.619	250-04125-562B
4-1/8	4-3/4	5/16	5/16	4.125	4.750	.344	312-04125
4-1/8	4-3/4	9/16	5/16	4.125	4.750	.619	312-04125-562
4-1/8	4-3/4	9/16	5/16	4.125	4.750	.619	312-04125-562B
4-1/8	4-7/8	3/8	3/8	4.125	4.875	.413	375-04125
4-1/8	4-7/8	5/8	3/8	4.125	4.875	.688	375-04125-625B
4-1/8	5-1/8	1/2	1/2	4.125	5.125	.550	500-04125
4-1/8	5-1/4	9/16	9/16	4.125	5.250	.619	562-04125
4-1/4	4-1/2	1/8	1/8	4.250	4.500	.138	125-04250
4-1/4	4-5/8	3/16	3/16	4.250	4.625	.207	187-04250
4-1/4	4-5/8	9/32	3/16	4.250	4.625	.309	187-04250-281B
4-1/4	4-5/8	3/8	3/16	4.250	4.625	.413	187-04250-375
4-1/4	4-5/8	3/8	3/16	4.250	4.625	.413	187-04250-375B
4-1/4	4-3/4	1/4	1/4	4.250	4.750	.275	250-04250
4-1/4	4-3/4	3/8	1/4	4.250	4.750	.413	250-04250-375B
4-1/4	4-3/4	9/16	1/4	4.250	4.750	.619	250-04250-562
4-1/4	4-3/4	9/16	1/4	4.250	4.750	.619	250-04250-562B
4-1/4	4-7/8	5/16	5/16	4.250	4.875	.344	312-04250
4-1/4	4-7/8	9/16	5/16	4.250	4.875	.619	312-04250-562
4-1/4	4-7/8	9/16	5/16	4.250	4.875	.619	312-04250-562B
4-1/4	5	3/8	3/8	4.250	5.000	.413	375-04250
4-1/4	5	3/8	3/8	4.250	5.000	.413	375-04250-375B

# Rubber Energized U-Cup



(Inch Size)

Nominal Part Size				Rod/Groove Dia.	Bore/Groove Dia.	Groove Width	Reference (For order processing)
ID	OD	H	CS	d	D	L	
4-1/4	5	1/2	3/8	4.250	5.000	.550	375-04250-500
4-1/4	5	5/8	3/8	4.250	5.000	.688	375-04250-625
4-1/4	5	5/8	3/8	4.250	5.000	.688	375-04250-625B
4-1/4	5-1/4	1/2	1/2	4.250	5.250	.550	500-04250
4-1/4	5-1/4	3/4	1/2	4.250	5.250	.825	500-04250-750B
4-1/4	5-1/2	5/8	5/8	4.250	5.500	.688	625-04250
4-1/4	5-1/2	1	5/8	4.250	5.500	1.100	625-04250-1000B
4-1/4	5-3/4	3/4	3/4	4.250	5.750	.825	750-04250
4-1/4	6-1/4	1	1	4.250	6.250	1.100	1000-04250
4-5/16	5-5/16	1/2	1/2	4.312	5.312	.550	500-04312
4-3/8	4-5/8	1/8	1/8	4.375	4.625	.138	125-04375
4-3/8	4-3/4	3/16	3/16	4.375	4.750	.207	187-04375
4-3/8	4-3/4	3/8	3/16	4.375	4.750	.413	187-04375-375
4-3/8	4-3/4	3/8	3/16	4.375	4.750	.413	187-04375-375B
4-3/8	4-7/8	1/4	1/4	4.375	4.875	.275	250-04375
4-3/8	4-7/8	9/16	1/4	4.375	4.875	.619	250-04375-562
4-3/8	5	5/16	5/16	4.375	5.000	.344	312-04375
4-3/8	5	1/2	5/16	4.375	5.000	.550	312-04375-500
4-3/8	5	9/16	5/16	4.375	5.000	.619	312-04375-562
4-3/8	5	9/16	5/16	4.375	5.000	.619	312-04375-562B
4-3/8	5-1/8	3/8	3/8	4.375	5.125	.413	375-04375
4-3/8	5-1/8	5/8	3/8	4.375	5.125	.688	375-04375-625
4-3/8	5-1/8	5/8	3/8	4.375	5.125	.688	375-04375-625B
4-3/8	5-3/8	1/2	1/2	4.375	5.375	.550	500-04375
4-3/8	5-3/8	5/8	1/2	4.375	5.375	.688	500-04375-625B
4-3/8	5-3/8	3/4	1/2	4.375	5.375	.825	500-04375-750
4-3/8	5-3/8	3/4	1/2	4.375	5.375	.825	500-04375-750B
4-7/16	4-15/16	3/8	1/4	4.437	4.937	.413	250-04437-375B
4-7/16	5	9/32	9/32	4.437	5.000	.309	281-04437
4-7/16	5	1/2	9/32	4.437	5.000	.550	281-04437-500B
4-1/2	4-3/4	1/8	1/8	4.500	4.750	.138	125-04500
4-1/2	4-3/4	3/16	1/8	4.500	4.750	.207	125-04500-187B
4-1/2	4-7/8	3/16	3/16	4.500	4.875	.207	187-04500
4-1/2	4-7/8	3/16	3/16	4.500	4.875	.207	187-04500-187B
4-1/2	4-7/8	3/8	3/16	4.500	4.875	.413	187-04500-375
4-1/2	4-7/8	3/8	3/16	4.500	4.875	.413	187-04500-375B
4-1/2	5	1/4	1/4	4.500	5.000	.275	250-04500
4-1/2	5	1/4	1/4	4.500	5.000	.275	250-04500-250B
4-1/2	5	3/8	1/4	4.500	5.000	.413	250-04500-375
4-1/2	5	3/8	1/4	4.500	5.000	.413	250-04500-375B
4-1/2	5	1/2	1/4	4.500	5.000	.550	250-04500-500B
4-1/2	5	9/16	1/4	4.500	5.000	.619	250-04500-562
4-1/2	5	9/16	1/4	4.500	5.000	.619	250-04500-562B
4-1/2	5-1/8	5/16	5/16	4.500	5.125	.344	312-04500
4-1/2	5-1/8	9/16	5/16	4.500	5.125	.619	312-04500-562B

## Rubber Energized U-Cup

(Inch Size)

Nominal Part Size				Rod/Groove Dia.	Bore/Groove Dia.	Groove Width	Reference (For order processing)
ID	OD	H	CS	d	D	L	
4-1/2	5-1/8	5/8	5/16	4.500	5.125	.688	312-04500-625B
4-1/2	5-1/4	3/8	3/8	4.500	5.250	.413	375-04500
4-1/2	5-1/4	5/8	3/8	4.500	5.250	.688	375-04500-625
4-1/2	5-1/4	5/8	3/8	4.500	5.250	.688	375-04500-625B
4-1/2	5-3/8	7/16	7/16	4.500	5.375	.481	437-04500
4-1/2	5-3/8	3/4	7/16	4.500	5.375	.825	437-04500-750B
4-1/2	5-1/2	1/2	1/2	4.500	5.500	.550	500-04500
4-1/2	5-1/2	3/4	1/2	4.500	5.500	.825	500-04500-750
4-1/2	5-1/2	3/4	1/2	4.500	5.500	.825	500-04500-750B
4-1/2	5-3/4	5/8	5/8	4.500	5.750	.688	625-04500
4-1/2	6	3/4	3/4	4.500	6.000	.825	750-04500
4-5/8	5	3/16	3/16	4.625	5.000	.207	187-04625
4-5/8	5	3/8	3/16	4.625	5.000	.413	187-04625-375
4-5/8	5-1/8	1/4	1/4	4.625	5.125	.275	250-04625
4-5/8	5-1/8	1/4	1/4	4.625	5.125	.275	250-04625-250B
4-5/8	5-1/8	9/16	1/4	4.625	5.125	.619	250-04625-562B
4-5/8	5-1/4	5/8	5/16	4.625	5.250	.688	312-04625-625
4-5/8	5-1/4	5/8	5/16	4.625	5.250	.688	312-04625-625B
4-5/8	5-3/8	3/8	3/8	4.625	5.375	.413	375-04625
4-5/8	5-3/8	5/8	3/8	4.625	5.375	.688	375-04625-625
4-5/8	5-3/8	5/8	3/8	4.625	5.375	.688	375-04625-625B
4-5/8	5-7/8	5/8	5/8	4.625	5.875	.688	625-04625
4-11/16	5-1/4	5/8	9/32	4.687	5.250	.688	281-04687-625B
4-3/4	5	1/8	1/8	4.750	5.000	.138	125-04750
4-3/4	5-1/8	3/16	3/16	4.750	5.125	.207	187-04750
4-3/4	5-1/4	1/4	1/4	4.750	5.250	.275	250-04750
4-3/4	5-1/4	3/8	1/4	4.750	5.250	.413	250-04750-375B
4-3/4	5-1/4	9/16	1/4	4.750	5.250	.619	250-04750-562
4-3/4	5-1/4	9/16	1/4	4.750	5.250	.619	250-04750-562B
4-3/4	5-3/8	5/16	5/16	4.750	5.375	.344	312-04750
4-3/4	5-3/8	5/8	5/16	4.750	5.375	.688	312-04750-625B
4-3/4	5-1/2	3/8	3/8	4.750	5.500	.413	375-04750
4-3/4	5-1/2	1/2	3/8	4.750	5.500	.550	375-04750-500
4-3/4	5-1/2	5/8	3/8	4.750	5.500	.688	375-04750-625
4-3/4	5-1/2	5/8	3/8	4.750	5.500	.688	375-04750-625B
4-3/4	5-5/8	7/16	7/16	4.750	5.625	.481	437-04750
4-3/4	5-5/8	5/8	7/16	4.750	5.625	.688	437-04750-625
4-3/4	5-5/8	3/4	7/16	4.750	5.625	.825	437-04750-750B
4-3/4	5-3/4	1/2	1/2	4.750	5.750	.550	500-04750
4-3/4	5-3/4	11/16	1/2	4.750	5.750	.756	500-04750-687
4-3/4	5-3/4	3/4	1/2	4.750	5.750	.825	500-04750-750B
4-3/4	6	5/8	5/8	4.750	6.000	.688	625-04750
4-3/4	6	1	5/8	4.750	6.000	1.100	625-04750-1000
4-3/4	6-1/4	1-1/4	3/4	4.750	6.250	1.375	750-04750-1250
4-7/8	5-1/4	9/16	3/16	4.875	5.250	.619	187-04875-562

# Rubber Energized U-Cup



(Inch Size)

Nominal Part Size				Rod/Groove Dia.	Bore/Groove Dia.	Groove Width	Reference (For order processing)
ID	OD	H	CS	d	D	L	
4-7/8	5-3/8	1/4	1/4	4.875	5.375	.275	250-04875
4-7/8	5-3/8	3/8	1/4	4.875	5.375	.413	250-04875-375B
4-7/8	5-3/8	9/16	1/4	4.875	5.375	.619	250-04875-562
4-7/8	5-3/8	9/16	1/4	4.875	5.375	.619	250-04875-562B
4-7/8	5-1/2	5/16	5/16	4.875	5.500	.344	312-04875
4-7/8	5-5/8	3/8	3/8	4.875	5.625	.413	375-04875
4-7/8	5-5/8	5/8	3/8	4.875	5.625	.688	375-04875-625B
4-7/8	5-3/4	9/16	7/16	4.875	5.750	.619	437-04875-562B
4-7/8	5-7/8	9/16	1/2	4.875	5.875	.619	500-04875-562
4-15/16	5-1/2	11/32	9/32	4.937	5.500	.378	281-04937-343B
4-15/16	5-1/2	1/2	9/32	4.937	5.500	.550	281-04937-500B
5	5-1/4	1/8	1/8	5.000	5.250	.138	125-05000
5	5-3/8	9/32	3/16	5.000	5.375	.309	187-05000-281B
5	5-3/8	3/8	3/16	5.000	5.375	.413	187-05000-375
5	5-1/2	1/4	1/4	5.000	5.500	.275	250-05000
5	5-1/2	3/8	1/4	5.000	5.500	.413	250-05000-375
5	5-1/2	3/8	1/4	5.000	5.500	.413	250-05000-375B
5	5-1/2	9/16	1/4	5.000	5.500	.619	250-05000-562
5	5-1/2	9/16	1/4	5.000	5.500	.619	250-05000-562B
5	5-9/16	9/32	9/32	5.000	5.562	.309	281-05000
5	5-5/8	5/16	5/16	5.000	5.625	.344	312-05000
5	5-5/8	5/8	5/16	5.000	5.625	.688	312-05000-625B
5	5-3/4	3/8	3/8	5.000	5.750	.413	375-05000
5	5-3/4	1/2	3/8	5.000	5.750	.550	375-05000-500B
5	5-3/4	5/8	3/8	5.000	5.750	.688	375-05000-625
5	5-3/4	5/8	3/8	5.000	5.750	.688	375-05000-625B
5	5-7/8	3/4	7/16	5.000	5.875	.825	437-05000-750B
5	6	1/2	1/2	5.000	6.000	.550	500-05000
5	6	3/4	1/2	5.000	6.000	.825	500-05000-750
5	6	3/4	1/2	5.000	6.000	.825	500-05000-750B
5	6-1/4	5/8	5/8	5.000	6.250	.688	625-05000
5	6-1/4	1	5/8	5.000	6.250	1.100	625-05000-1000B
5	6-1/2	3/4	3/4	5.000	6.500	.825	750-05000
5	6-3/4	1	7/8	5.000	6.750	1.100	875-05000-1000
5	7	1-1/2	1	5.000	7.000	1.650	1000-05000-1500
5-1/8	5-5/8	1/4	1/4	5.125	5.625	.275	250-05125
5-1/8	5-3/4	5/16	5/16	5.125	5.750	.344	312-05125
5-1/8	5-3/4	5/8	5/16	5.125	5.750	.688	312-05125-625
5-1/8	5-3/4	5/8	5/16	5.125	5.750	.688	312-05125-625B
5-1/8	5-7/8	3/8	3/8	5.125	5.875	.413	375-05125
5-1/8	5-7/8	5/8	3/8	5.125	5.875	.688	375-05125-625B
5-1/8	6	7/16	7/16	5.125	6.000	.481	437-05125
5-1/8	6	1/2	7/16	5.125	6.000	.550	437-05125-500
5-1/8	6-1/8	1/2	1/2	5.125	6.125	.550	500-05125
5-1/8	6-1/8	3/4	1/2	5.125	6.125	.825	500-05125-750

## Rubber Energized U-Cup

(Inch Size)

Nominal Part Size				Rod/Groove Dia.	Bore/Groove Dia.	Groove Width	Reference (For order processing)
ID	OD	H	CS	d	D	L	
5-1/4	5-5/8	3/16	3/16	5.250	5.625	.207	187-05250
5-1/4	5-3/4	1/4	1/4	5.250	5.750	.275	250-05250
5-1/4	5-3/4	3/8	1/4	5.250	5.750	.413	250-05250-375
5-1/4	5-3/4	3/8	1/4	5.250	5.750	.413	250-05250-375B
5-1/4	5-3/4	9/16	1/4	5.250	5.750	.619	250-05250-562
5-1/4	5-3/4	9/16	1/4	5.250	5.750	.619	250-05250-562B
5-1/4	5-7/8	5/16	5/16	5.250	5.875	.344	312-05250
5-1/4	5-7/8	5/8	5/16	5.250	5.875	.688	312-05250-625
5-1/4	5-7/8	5/8	5/16	5.250	5.875	.688	312-05250-625B
5-1/4	6	3/8	3/8	5.250	6.000	.413	375-05250
5-1/4	6	3/8	3/8	5.250	6.000	.413	375-05250-375B
5-1/4	6	1/2	3/8	5.250	6.000	.550	375-05250-500
5-1/4	6	1/2	3/8	5.250	6.000	.550	375-05250-500B
5-1/4	6	5/8	3/8	5.250	6.000	.688	375-05250-625
5-1/4	6	5/8	3/8	5.250	6.000	.688	375-05250-625B
5-1/4	6-1/4	1/2	1/2	5.250	6.250	.550	500-05250
5-1/4	6-1/4	1/2	1/2	5.250	6.250	.550	500-05250-500B
5-1/4	6-1/4	3/4	1/2	5.250	6.250	.825	500-05250-750B
5-1/4	6-1/2	1	5/8	5.250	6.500	1.100	625-05250-1000B
5-3/8	5-7/8	1/4	1/4	5.375	5.875	.275	250-05375
5-3/8	5-7/8	3/8	1/4	5.375	5.875	.413	250-05375-375
5-3/8	5-7/8	9/16	1/4	5.375	5.875	.619	250-05375-562B
5-3/8	6	5/16	5/16	5.375	6.000	.344	312-05375
5-3/8	6	5/8	5/16	5.375	6.000	.688	312-05375-625
5-3/8	6-1/8	3/8	3/8	5.375	6.125	.413	375-05375
5-3/8	6-1/8	5/8	3/8	5.375	6.125	.688	375-05375-625B
5-3/8	6-3/8	1/2	1/2	5.375	6.375	.550	500-05375
5-7/16	5-15/16	3/8	1/4	5.437	5.937	.413	250-05437-375B
5-7/16	6	9/32	9/32	5.437	6.000	.309	281-05437
5-7/16	6-7/16	1/2	1/2	5.437	6.437	.550	500-05437
5-1/2	5-7/8	3/8	3/16	5.500	5.875	.413	187-05500-375B
5-1/2	6	1/4	1/4	5.500	6.000	.275	250-05500
5-1/2	6	3/8	1/4	5.500	6.000	.413	250-05500-375
5-1/2	6	3/8	1/4	5.500	6.000	.413	250-05500-375B
5-1/2	6	9/16	1/4	5.500	6.000	.619	250-05500-562
5-1/2	6	9/16	1/4	5.500	6.000	.619	250-05500-562B
5-1/2	6-1/8	5/16	5/16	5.500	6.125	.344	312-05500
5-1/2	6-1/8	5/8	5/16	5.500	6.125	.688	312-05500-625
5-1/2	6-1/8	5/8	5/16	5.500	6.125	.688	312-05500-625B
5-1/2	6-1/4	3/8	3/8	5.500	6.250	.413	375-05500
5-1/2	6-1/4	5/8	3/8	5.500	6.250	.688	375-05500-625
5-1/2	6-1/4	5/8	3/8	5.500	6.250	.688	375-05500-625B
5-1/2	6-3/8	7/16	7/16	5.500	6.375	.481	437-05500
5-1/2	6-1/2	1/2	1/2	5.500	6.500	.550	500-05500
5-1/2	6-1/2	3/4	1/2	5.500	6.500	.825	500-05500-750

# Rubber Energized U-Cup



(Inch Size)

Nominal Part Size				Rod/Groove Dia.	Bore/Groove Dia.	Groove Width	Reference (For order processing)
ID	OD	H	CS	d	D	L	
5-1/2	6-1/2	3/4	1/2	5.500	6.500	.825	500-05500-750B
5-1/2	6-5/8	9/16	9/16	5.500	6.625	.619	562-05500
5-1/2	6-3/4	5/8	5/8	5.500	6.750	.688	625-05500
5-1/2	6-3/4	1	5/8	5.500	6.750	1.100	625-05500-1000
5-1/2	6-3/4	1	5/8	5.500	6.750	1.100	625-05500-1000B
5-1/2	7	3/4	3/4	5.500	7.000	.825	750-05500
5-1/2	7	1-1/4	3/4	5.500	7.000	1.375	750-05500-1250
5-5/8	6-1/8	1/4	1/4	5.625	6.125	.275	250-05625
5-5/8	6-1/8	9/16	1/4	5.625	6.125	.619	250-05625-562B
5-5/8	6-1/4	5/8	5/16	5.625	6.250	.688	312-05625-625B
5-5/8	6-3/8	3/8	3/8	5.625	6.375	.413	375-05625
5-5/8	6-3/8	5/8	3/8	5.625	6.375	.688	375-05625-625
5-5/8	6-3/8	5/8	3/8	5.625	6.375	.688	375-05625-625B
5-11/16	6-1/16	3/16	3/16	5.687	6.062	.207	187-05687
5-3/4	6	1/8	1/8	5.750	6.000	.138	125-05750
5-3/4	6-1/4	1/4	1/4	5.750	6.250	.275	250-05750
5-3/4	6-1/4	9/16	1/4	5.750	6.250	.619	250-05750-562
5-3/4	6-1/4	9/16	1/4	5.750	6.250	.619	250-05750-562B
5-3/4	6-3/8	5/8	5/16	5.750	6.375	.688	312-05750-625B
5-3/4	6-1/2	3/8	3/8	5.750	6.500	.413	375-05750
5-3/4	6-1/2	1/2	3/8	5.750	6.500	.550	375-05750-500
5-3/4	6-1/2	5/8	3/8	5.750	6.500	.688	375-05750-625
5-3/4	6-1/2	5/8	3/8	5.750	6.500	.688	375-05750-625B
5-3/4	6-3/4	1/2	1/2	5.750	6.750	.550	500-05750
5-3/4	6-3/4	3/4	1/2	5.750	6.750	.825	500-05750-750B
5-3/4	7	5/8	5/8	5.750	7.000	.688	625-05750
5-7/8	6-1/4	3/16	3/16	5.875	6.250	.207	187-05875
5-7/8	6-3/8	1/4	1/4	5.875	6.375	.275	250-05875
5-7/8	6-3/8	9/16	1/4	5.875	6.375	.619	250-05875-562
5-7/8	6-1/2	5/16	5/16	5.875	6.500	.344	312-05875
5-7/8	6-5/8	3/8	3/8	5.875	6.625	.413	375-05875
5-7/8	6-5/8	5/8	3/8	5.875	6.625	.688	375-05875-625B
5-15/16	6-1/2	1/2	9/32	5.937	6.500	.550	281-05937-500B
6	6-3/8	3/16	3/16	6.000	6.375	.207	187-06000
6	6-3/8	3/8	3/16	6.000	6.375	.413	187-06000-375
6	6-1/2	1/4	1/4	6.000	6.500	.275	250-06000
6	6-1/2	3/8	1/4	6.000	6.500	.413	250-06000-375B
6	6-1/2	7/16	1/4	6.000	6.500	.481	250-06000-437B
6	6-1/2	9/16	1/4	6.000	6.500	.619	250-06000-562
6	6-1/2	9/16	1/4	6.000	6.500	.619	250-06000-562B
6	6-5/8	5/16	5/16	6.000	6.625	.344	312-06000
6	6-5/8	5/8	5/16	6.000	6.625	.688	312-06000-625B
6	6-3/4	3/8	3/8	6.000	6.750	.413	375-06000
6	6-3/4	1/2	3/8	6.000	6.750	.550	375-06000-500B
6	6-3/4	5/8	5/16	6.000	6.750	.688	375-06000-625

## Rubber Energized U-Cup

(Inch Size)

Nominal Part Size				Rod/Groove Dia.	Bore/Groove Dia.	Groove Width	Reference (For order processing)
ID	OD	H	CS	d	D	L	
6	6-3/4	5/8	3/8	6.000	6.750	.688	375-06000-625B
6	7	1/2	1/2	6.000	7.000	.550	500-06000
6	7	3/4	1/2	6.000	7.000	.825	500-06000-750
6	7	3/4	1/2	6.000	7.000	.825	500-06000-750B
6	7-1/4	5/8	5/8	6.000	7.250	.688	625-06000
6	7-1/4	1	5/8	6.000	7.250	1.100	625-06000-1000B
6	7-1/2	3/4	3/4	6.000	7.500	.825	750-06000
6	8	1	1	6.000	8.000	1.100	1000-06000
6-1/8	6-3/4	5/16	5/16	6.125	6.750	.344	312-06125
6-1/4	6-3/4	1/4	1/4	6.250	6.750	.275	250-06250
6-1/4	6-3/4	9/16	1/4	6.250	6.750	.619	250-06250-562
6-1/4	6-3/4	9/16	1/4	6.250	6.750	.619	250-06250-562B
6-1/4	6-7/8	5/16	5/16	6.250	6.875	.344	312-06250
6-1/4	7	3/8	3/8	6.250	7.000	.413	375-06250
6-1/4	7	1/2	3/8	6.250	7.000	.550	375-06250-500
6-1/4	7	1/2	3/8	6.250	7.000	.550	375-06250-500B
6-1/4	7	5/8	3/8	6.250	7.000	.688	375-06250-625
6-1/4	7	5/8	3/8	6.250	7.000	.688	375-06250-625B
6-1/4	7-1/4	1/2	1/2	6.250	7.250	.550	500-06250
6-1/4	7-1/4	3/4	1/2	6.250	7.250	.825	500-06250-750B
6-1/4	7-1/2	5/8	5/8	6.250	7.500	.688	625-06250
6-1/4	7-3/4	1-1/4	3/4	6.250	7.750	1.375	750-06250-1250
6-5/16	6-11/16	3/16	3/16	6.312	6.687	.207	187-06312
6-3/8	7	5/16	5/16	6.375	7.000	.344	312-06375
6-3/8	7	5/8	5/16	6.375	7.000	.688	312-06375-625
6-3/8	7	5/8	5/16	6.375	7.000	.688	312-06375-625B
6-3/8	7-3/8	1/2	1/2	6.375	7.375	.550	500-06375
6-7/16	7	9/32	9/32	6.437	7.000	.309	281-06437
6-1/2	7	1/4	1/4	6.500	7.000	.275	250-06500
6-1/2	7	3/8	1/4	6.500	7.000	.413	250-06500-375
6-1/2	7	3/8	1/4	6.500	7.000	.413	250-06500-375B
6-1/2	7	9/16	1/4	6.500	7.000	.619	250-06500-562
6-1/2	7	9/16	1/4	6.500	7.000	.619	250-06500-562B
6-1/2	7-1/8	5/16	5/16	6.500	7.125	.344	312-06500
6-1/2	7-1/8	5/8	5/16	6.500	7.125	.688	312-06500-625
6-1/2	7-1/8	5/8	5/16	6.500	7.125	.688	312-06500-625B
6-1/2	7-1/4	3/8	3/8	6.500	7.250	.413	375-06500
6-1/2	7-1/4	1/2	3/8	6.500	7.250	.550	375-06500-500
6-1/2	7-1/4	1/2	3/8	6.500	7.250	.550	375-06500-500B
6-1/2	7-1/4	5/8	3/8	6.500	7.250	.688	375-06500-625
6-1/2	7-1/4	5/8	3/8	6.500	7.250	.688	375-06500-625B
6-1/2	7-1/2	1/2	1/2	6.500	7.500	.550	500-06500
6-1/2	7-1/2	3/4	1/2	6.500	7.500	.825	500-06500-750
6-1/2	7-1/2	3/4	1/2	6.500	7.500	.825	500-06500-750B
6-1/2	7-3/4	5/8	5/8	6.500	7.750	.688	625-06500



# Rubber Energized U-Cup



(Inch Size)

Nominal Part Size				Rod/Groove Dia.	Bore/Groove Dia.	Groove Width	Reference (For order processing)
ID	OD	H	CS	d	D	L	
6-1/2	7-3/4	1	5/8	6.500	7.750	1.100	625-06500-1000
6-1/2	8	3/4	3/4	6.500	8.000	.825	750-06500
6-1/2	8	1-1/4	3/4	6.500	8.000	1.375	750-06500-1250
6-5/8	7-1/8	3/8	1/4	6.625	7.125	.413	250-06625-375
6-5/8	7-1/4	5/16	5/16	6.625	7.250	.344	312-06625
6-5/8	7-1/4	5/8	5/16	6.625	7.250	.688	312-06625-625B
6-5/8	7-7/8	5/8	5/8	6.625	7.875	.688	625-06625
6-3/4	7-1/4	1/4	1/4	6.750	7.250	.275	250-06750
6-3/4	7-1/4	3/8	1/4	6.750	7.250	.413	250-06750-375B
6-3/4	7-1/4	9/16	1/4	6.750	7.250	.619	250-06750-562
6-3/4	7-1/4	9/16	1/4	6.750	7.250	.619	250-06750-562B
6-3/4	7-3/8	5/16	5/16	6.750	7.375	.344	312-06750
6-3/4	7-3/8	5/8	5/16	6.750	7.375	.688	312-06750-625B
6-3/4	7-1/2	3/8	3/8	6.750	7.500	.413	375-06750
6-3/4	7-1/2	3/8	3/8	6.750	7.500	.413	375-06750-375B
6-3/4	7-1/2	1/2	3/8	6.750	7.500	.550	375-06750-500B
6-3/4	7-1/2	9/16	3/8	6.750	7.500	.619	375-06750-562
6-3/4	7-1/2	5/8	3/8	6.750	7.500	.688	375-06750-625B
6-3/4	7-5/8	3/4	7/16	6.750	7.625	.825	437-06750-750
6-3/4	7-3/4	1/2	1/2	6.750	7.750	.550	500-06750
6-3/4	7-3/4	3/4	1/2	6.750	7.750	.825	500-06750-750B
6-3/4	7-7/8	9/16	9/16	6.750	7.875	.619	562-06750
6-3/4	8	5/8	5/8	6.750	8.000	.688	625-06750
6-3/4	8	1	5/8	6.750	8.000	1.100	625-06750-1000
6-3/4	8	1	5/8	6.750	8.000	1.100	625-06750-1000B
6-13/16	8-1/16	5/8	5/8	6.812	8.062	.688	625-06812
6-7/8	7-5/8	5/8	3/8	6.875	7.625	.688	375-06875-625B
6-7/8	8-1/8	5/8	5/8	6.875	8.125	.688	625-06875
6-15/16	7-1/2	1/2	9/32	6.937	7.500	.550	281-06937-500B
7	7-3/8	3/8	3/16	7.000	7.375	.413	187-07000-375B
7	7-1/2	1/4	1/4	7.000	7.500	.275	250-07000
7	7-1/2	3/8	1/4	7.000	7.500	.413	250-07000-375
7	7-1/2	3/8	1/4	7.000	7.500	.413	250-07000-375B
7	7-1/2	9/16	1/4	7.000	7.500	.619	250-07000-562
7	7-1/2	9/16	1/4	7.000	7.500	.619	250-07000-562B
7	7-5/8	5/16	5/16	7.000	7.625	.344	312-07000
7	7-5/8	5/8	5/16	7.000	7.625	.688	312-07000-625B
7	7-3/4	3/8	3/8	7.000	7.750	.413	375-07000
7	7-3/4	1/2	3/8	7.000	7.750	.550	375-07000-500B
7	7-3/4	5/8	3/8	7.000	7.750	.688	375-07000-625
7	7-3/4	5/8	3/8	7.000	7.750	.688	375-07000-625B
7	8	1/2	1/2	7.000	8.000	.550	500-07000
7	8	3/4	1/2	7.000	8.000	.825	500-07000-750
7	8	3/4	1/2	7.000	8.000	.825	500-07000-750B
7	8-1/4	5/8	5/8	7.000	8.250	.688	625-07000

## Rubber Energized U-Cup

(Inch Size)

Nominal Part Size				Rod/Groove Dia.	Bore/Groove Dia.	Groove Width	Reference (For order processing)
ID	OD	H	CS	d	D	L	
7	8-1/4	1	5/8	7.000	8.250	1.100	625-07000-1000B
7	8-1/2	3/4	3/4	7.000	8.500	.825	750-07000
7	8-1/2	1-1/4	3/4	7.000	8.500	1.375	750-07000-1250
7	9	1	1	7.000	9.000	1.100	1000-07000
7-1/8	7-5/8	1/4	1/4	7.125	7.625	.275	250-07125
7-1/8	8-3/8	1	5/8	7.125	8.375	1.100	625-07125-1000
7-3/16	8	13/32	13/32	7.187	8.000	.447	406-07187
7-1/4	7-3/4	1/4	1/4	7.250	7.750	.275	250-07250
7-1/4	7-3/4	9/16	1/4	7.250	7.750	.619	250-07250-562B
7-1/4	7-7/8	5/16	5/16	7.250	7.875	.344	312-07250
7-1/4	7-7/8	5/8	5/16	7.250	7.875	.688	312-07250-625B
7-1/4	8	3/8	3/8	7.250	8.000	.413	375-07250
7-1/4	8	5/8	3/8	7.250	8.000	.688	375-07250-625
7-1/4	8	5/8	3/8	7.250	8.000	.688	375-07250-625B
7-1/4	8-1/4	1/2	1/2	7.250	8.250	.550	500-07250
7-1/4	8-1/4	3/4	1/2	7.250	8.250	.825	500-07250-750B
7-1/4	8-1/2	1	5/8	7.250	8.500	1.100	625-07250-1000B
7-5/16	7-15/16	5/16	5/16	7.312	7.937	.344	312-07312
7-3/8	8	5/16	5/16	7.375	8.000	.344	312-07375
7-3/8	8-1/8	1/2	3/8	7.375	8.125	.550	375-07375-500B
7-7/16	7-15/16	1/4	1/4	7.437	7.937	.275	250-07437
7-7/16	7-15/16	9/16	1/4	7.437	7.937	.619	250-07437-562
7-1/2	7-7/8	1/4	3/16	7.500	7.875	.275	187-07500-250
7-1/2	8	1/4	1/4	7.500	8.000	.275	250-07500
7-1/2	8	9/16	1/4	7.500	8.000	.619	250-07500-562
7-1/2	8	9/16	1/4	7.500	8.000	.619	250-07500-562B
7-1/2	8-1/8	5/16	5/16	7.500	8.125	.344	312-07500
7-1/2	8-1/8	5/8	5/16	7.500	8.125	.688	312-07500-625
7-1/2	8-1/4	3/8	3/8	7.500	8.250	.413	375-07500
7-1/2	8-1/4	1/2	3/8	7.500	8.250	.550	375-07500-500
7-1/2	8-1/4	1/2	3/8	7.500	8.250	.550	375-07500-500B
7-1/2	8-1/4	5/8	3/8	7.500	8.250	.688	375-07500-625
7-1/2	8-1/4	5/8	3/8	7.500	8.250	.688	375-07500-625B
7-1/2	8-1/2	1/2	1/2	7.500	8.500	.550	500-07500
7-1/2	8-1/2	3/4	1/2	7.500	8.500	.825	500-07500-750
7-1/2	8-1/2	3/4	1/2	7.500	8.500	.825	500-07500-750B
7-1/2	8-3/4	1	5/8	7.500	8.750	1.100	625-07500-1000B
7-1/2	9	3/4	3/4	7.500	9.000	.825	750-07500
7-1/2	9	1-1/4	3/4	7.500	9.000	1.375	750-07500-1250
7-1/2	9-1/2	1	1	7.500	9.500	1.100	1000-07500
7-5/8	8-1/4	1/2	5/16	7.625	8.250	.550	312-07625-500
7-5/8	8-3/8	3/8	3/8	7.625	8.375	.413	375-07625
7-3/4	8-1/4	1/4	1/4	7.750	8.250	.275	250-07750
7-3/4	8-1/4	3/8	1/4	7.750	8.250	.413	250-07750-375
7-3/4	8-1/4	9/16	1/4	7.750	8.250	.619	250-07750-562

# Rubber Energized U-Cup



(Inch Size)

Nominal Part Size				Rod/Groove Dia.	Bore/Groove Dia.	Groove Width	Reference (For order processing)
ID	OD	H	CS	d	D	L	
7-3/4	8-1/4	9/16	1/4	7.750	8.250	.619	250-07750-562B
7-3/4	8-1/2	3/8	3/8	7.750	8.500	.413	375-07750
7-3/4	8-1/2	1/2	3/8	7.750	8.500	.550	375-07750-500
7-3/4	8-1/2	1/2	3/8	7.750	8.500	.550	375-07750-500B
7-3/4	8-1/2	5/8	3/8	7.750	8.500	.688	375-07750-625
7-3/4	8-1/2	5/8	3/8	7.750	8.500	.688	375-07750-625B
7-3/4	8-3/4	1/2	1/2	7.750	8.750	.550	500-07750
7-3/4	8-3/4	3/4	1/2	7.750	8.750	.825	500-07750-750B
7-3/4	9	5/8	5/8	7.750	9.000	.688	625-07750
7-3/4	9	1	5/8	7.750	9.000	1.100	625-07750-1000B
7-3/4	9-1/2	7/8	7/8	7.750	9.500	.963	875-07750
7.790	8.540	3/8	3/8	7.790	8.540	.413	375-07790-375B
7-13/16	8-5/16	1/4	1/4	7.812	8.312	.275	250-07812
7-7/8	8-1/2	5/8	5/16	7.875	8.500	.688	312-07875-625B
8	8-1/2	1/4	1/4	8.000	8.500	.275	250-08000
8	8-1/2	9/16	1/4	8.000	8.500	.619	250-08000-562B
8	8-5/8	5/16	5/16	8.000	8.625	.344	312-08000
8	8-5/8	5/8	5/16	8.000	8.625	.688	312-08000-625B
8	8-3/4	3/8	3/8	8.000	8.750	.413	375-08000
8	8-3/4	1/2	3/8	8.000	8.750	.550	375-08000-500
8	8-3/4	5/8	3/8	8.000	8.750	.688	375-08000-625
8	8-3/4	5/8	3/8	8.000	8.750	.688	375-08000-625B
8	9	1/2	1/2	8.000	9.000	.550	500-08000
8	9	3/4	1/2	8.000	9.000	.825	500-08000-750
8	9	3/4	1/2	8.000	9.000	.825	500-08000-750B
8	9-1/4	5/8	5/8	8.000	9.250	.688	625-08000
8	9-1/2	3/4	3/4	8.000	9.500	.825	750-08000
8	9-1/2	1-1/8	3/4	8.000	9.500	1.238	750-08000-1125B
8	9-1/2	1-1/4	3/4	8.000	9.500	1.375	750-08000-1250B
8	10	1	1	8.000	10.000	1.100	1000-08000
8-1/8	8-5/8	9/16	1/4	8.125	8.625	.619	250-08125-562B
8-1/8	9-1/8	1/2	1/2	8.125	9.125	.550	500-08125
8-3/16	9-7/16	5/8	5/8	8.187	9.437	.688	625-08187
8-1/4	8-3/4	1/4	1/4	8.250	8.750	.275	250-08250
8-1/4	8-3/4	3/8	1/4	8.250	8.750	.413	250-08250-375B
8-1/4	8-3/4	7/16	1/4	8.250	8.750	.481	250-08250-437B
8-1/4	8-3/4	9/16	1/4	8.250	8.750	.619	250-08250-562B
8-1/4	9	3/8	3/8	8.250	9.000	.413	375-08250
8-1/4	9	5/8	3/8	8.250	9.000	.688	375-08250-625
8-1/4	9	5/8	3/8	8.250	9.000	.688	375-08250-625B
8-1/4	9-1/4	1/2	1/2	8.250	9.250	.550	500-08250
8-1/4	9-1/4	3/4	1/2	8.250	9.250	.825	500-08250-750
8-1/4	9-1/4	3/4	1/2	8.250	9.250	.825	500-08250-750B
8-1/4	9-1/2	5/8	5/8	8.250	9.500	.688	625-08250
8-1/4	9-1/2	1	5/8	8.250	9.500	1.100	625-08250-1000B

## Rubber Energized U-Cup

(Inch Size)

Nominal Part Size				Rod/Groove Dia.	Bore/Groove Dia.	Groove Width	Reference (For order processing)
ID	OD	H	CS	d	D	L	
8-1/4	9-3/4	3/4	3/4	8.250	9.750	.825	750-08250
8-3/8	9	5/8	5/16	8.375	9.000	.688	312-08375-625
8-3/8	9-5/8	5/8	5/8	8.375	9.625	.688	625-08375
8-3/8	9-7/8	3/4	3/4	8.375	9.875	.825	750-08375
8-1/2	9	1/4	1/4	8.500	9.000	.275	250-08500
8-1/2	9	9/16	1/4	8.500	9.000	.619	250-08500-562
8-1/2	9	9/16	1/4	8.500	9.000	.619	250-08500-562B
8-1/2	9-1/16	9/32	9/32	8.500	9.062	.309	281-08500
8-1/2	9-1/4	3/8	3/8	8.500	9.250	.413	375-08500
8-1/2	9-1/4	5/8	3/8	8.500	9.250	.688	375-08500-625B
8-1/2	9-1/2	1/2	1/2	8.500	9.500	.550	500-08500
8-1/2	9-1/2	3/4	1/2	8.500	9.500	.825	500-08500-750
8-1/2	9-1/2	3/4	1/2	8.500	9.500	.825	500-08500-750B
8-1/2	9-3/4	5/8	5/8	8.500	9.750	.688	625-08500
8-1/2	9-3/4	1	5/8	8.500	10.000	1.100	625-08500-1000B
8-1/2	10	3/4	3/4	8.500	10.000	.825	750-08500
8-1/2	10	1-1/8	3/4	8.500	10.000	1.238	750-08500-1125B
8-1/2	10	1-1/4	3/4	8.500	10.000	1.375	750-08500-1250
8-1/2	10-1/4	7/8	7/8	8.500	10.250	.963	875-08500
8-9/16	9-5/16	3/8	3/8	8.562	9.312	.413	375-08562
8-5/8	9-3/8	3/8	3/8	8.625	9.375	.413	375-08625
8-5/8	9-7/8	5/8	5/8	8.625	9.875	.688	625-08625
8-11/16	9-7/16	3/8	3/8	8.687	9.437	.413	375-08687
8-3/4	9-1/4	1/4	1/4	8.750	9.250	.275	250-08750
8-3/4	9-1/2	3/8	3/8	8.750	9.500	.413	375-08750
8-3/4	9-1/2	1/2	3/8	8.750	9.500	.550	375-08750-500B
8-3/4	9-1/2	5/8	3/8	8.750	9.500	.688	375-08750-625
8-3/4	9-1/2	3/4	3/8	8.750	9.500	.825	375-08750-750
8-3/4	9-1/2	3/4	3/8	8.750	9.500	.825	375-08750-750B
8-3/4	9-3/4	1/2	1/2	8.750	9.750	.550	500-08750
8-3/4	9-3/4	3/4	1/2	8.750	9.750	.825	500-08750-750B
8-3/4	10	5/8	5/8	8.750	10.000	.688	625-08750
8-3/4	10	1	5/8	8.750	10.000	1.100	625-08750-1000
8.795	9.545	3/8	3/8	8.795	9.545	.413	375-08795-375B
8-7/8	9-1/2	5/16	5/16	8.875	9.500	.344	312-08875
8-7/8	9-5/8	5/8	3/8	8.875	9.625	.688	375-08875-625B
8-7/8	9-7/8	3/4	1/2	8.875	9.875	.825	500-08875-750
8-15/16	9-1/2	1/2	9/32	8.937	9.500	.550	281-08937-500B
9	9-1/2	1/4	1/4	9.000	9.500	.275	250-09000
9	9-1/2	3/8	1/4	9.000	9.500	.413	250-09000-375
9	9-5/8	1/2	5/16	9.000	9.625	.550	312-09000-500
9	9-3/4	3/8	3/8	9.000	9.750	.413	375-09000
9	9-3/4	5/8	3/8	9.000	9.750	.688	375-09000-625
9	9-3/4	5/8	3/8	9.000	9.750	.688	375-09000-625B
9	10	1/2	1/2	9.000	10.000	.550	500-09000

# Rubber Energized U-Cup



(Inch Size)

Nominal Part Size				Rod/Groove Dia.	Bore/Groove Dia.	Groove Width	Reference (For order processing)
ID	OD	H	CS	d	D	L	
9	10	3/4	1/2	9.000	10.000	.825	500-09000-750
9	10	3/4	1/2	9.000	10.000	.825	500-09000-750B
9	10-1/4	5/8	5/8	9.000	10.250	.688	625-09000
9	10-1/4	1	5/8	9.000	10.250	1.100	625-09000-1000B
9	10-1/2	3/4	3/4	9.000	10.500	.825	750-09000
9	10-1/2	1-1/4	3/4	9.000	10.500	1.375	750-09000-1250
9-1/8	9-3/4	5/8	5/16	9.125	9.750	.688	312-09125-625B
9-1/4	9-3/4	1/4	1/4	9.250	9.750	.275	250-09250
9-1/4	9-3/4	9/16	1/4	9.250	9.750	.619	250-09250-562
9-1/4	9-7/8	5/8	5/16	9.250	9.875	.688	312-09250-625B
9-1/4	10	3/8	3/8	9.250	10.000	.413	375-09250
9-1/4	10	1/2	3/8	9.250	10.000	.550	375-09250-500
9-1/4	10	5/8	3/8	9.250	10.000	.688	375-09250-625
9-1/4	10	5/8	3/8	9.250	10.000	.688	375-09250-625B
9-1/4	10-1/4	3/4	1/2	9.250	10.250	.825	500-09250-750B
9-1/4	10-1/2	5/8	5/8	9.250	10.500	.688	625-09250
9-5/16	10	11/32	11/32	9.312	10.000	.377	343-09312
9-3/8	10	5/8	5/16	9.375	10.000	.688	312-09375-625B
9-3/8	10-3/4	1	11/16	9.375	10.750	1.100	687-09375-1000
9-1/2	10	1/4	1/4	9.500	10.000	.275	250-09500
9-1/2	10	9/16	1/4	9.500	10.000	.619	250-09500-562
9-1/2	10	9/16	1/4	9.500	10.000	.619	250-09500-562B
9-1/2	10-1/4	3/8	3/8	9.500	10.250	.413	375-09500
9-1/2	10-1/4	5/8	3/8	9.500	10.250	.688	375-09500-625B
9-1/2	10-1/2	1/2	1/2	9.500	10.500	.550	500-09500
9-1/2	10-1/2	3/4	1/2	9.500	10.500	.825	500-09500-750
9-1/2	10-1/2	3/4	1/2	9.500	10.500	.825	500-09500-750B
9-1/2	11	3/4	3/4	9.500	11.000	.825	750-09500
9-5/8	10-1/4	5/16	5/16	9.625	10.250	.344	312-09625
9-5/8	10-1/4	5/8	5/16	9.625	10.250	.688	312-09625-625B
9-5/8	10-3/8	5/8	3/8	9.625	10.375	.688	375-09625-625
9-5/8	11-1/2	1-1/2	15/16	9.625	11.500	1.650	937-09625-1500
9-3/4	10-1/4	1/4	1/4	9.750	10.250	.275	250-09750
9-3/4	10-1/4	3/8	1/4	9.750	10.250	.413	250-09750-375B
9-3/4	10-1/4	9/16	1/4	9.750	10.250	.619	250-09750-562B
9-3/4	10-3/8	5/8	5/16	9.750	10.375	.688	312-09750-625B
9-3/4	10-1/2	3/8	3/8	9.750	10.500	.413	375-09750
9-3/4	10-1/2	1/2	3/8	9.750	10.500	.550	375-09750-500
9-3/4	10-1/2	5/8	3/8	9.750	10.500	.688	375-09750-625
9-3/4	10-3/4	1/2	1/2	9.750	10.750	.550	500-09750
9-3/4	11	5/8	5/8	9.750	11.000	.688	625-09750
9-3/4	11	1	5/8	9.750	11.000	1.100	625-09750-1000B
9-3/4	11-1/4	1-1/4	3/4	9.750	11.250	1.375	750-09750-1250B
9-3/4	11-1/2	7/8	7/8	9.750	11.500	.963	875-09750
9-13/16	11-5/16	1-1/4	3/4	9.812	11.312	1.375	750-09812-1250

## Rubber Energized U-Cup

(Inch Size)

Nominal Part Size				Rod/Groove Dia.	Bore/Groove Dia.	Groove Width	Reference (For order processing)
ID	OD	H	CS	d	D	L	
9-7/8	10-5/8	3/8	3/8	9.875	10.625	.413	375-09875
10	10-1/2	1/4	1/4	10.000	10.500	.275	250-10000
10	10-1/2	9/16	1/4	10.000	10.500	.619	250-10000-562B
10	10-3/4	3/8	3/8	10.000	10.750	.413	375-10000
10	10-3/4	5/8	3/8	10.000	10.750	.688	375-10000-625B
10	11	1/2	1/2	10.000	11.000	.550	500-10000
10	11	3/4	1/2	10.000	11.000	.825	500-10000-750
10	11	3/4	1/2	10.000	11.000	.825	500-10000-750B
10	11-1/4	5/8	5/8	10.000	11.250	.688	625-10000
10	11-1/4	1	5/8	10.000	11.250	1.100	625-10000-1000
10	11-1/2	3/4	3/4	10.000	11.500	.825	750-10000
10	11-1/2	1-1/4	3/4	10.000	11.500	1.375	750-10000-1250B
10	12	1	1	10.000	12.000	1.100	1000-10000
10	12-1/4	1-1/8	1-1/8	10.000	12.250	1.238	1125-10000
10-1/8	10-3/4	5/16	5/16	10.125	10.750	.344	312-10125
10-3/16	11	1/2	13/32	10.187	11.000	.550	406-10187-500
10-1/4	10-3/4	9/16	1/4	10.250	10.750	.619	250-10250-562B
10-1/4	11	3/8	3/8	10.250	11.000	.413	375-10250
10-1/4	11	1/2	3/8	10.250	11.000	.550	375-10250-500B
10-1/4	11	5/8	3/8	10.250	11.000	.688	375-10250-625
10-1/4	11	3/4	3/8	10.250	11.000	.825	375-10250-750B
10-1/4	11-1/4	3/4	1/2	10.250	11.250	.825	500-10250-750B
10-1/4	11-1/2	5/8	5/8	10.250	11.500	.688	625-10250
10-3/8	11	5/8	5/16	10.375	11.000	.688	312-10375-625B
10-1/2	11	1/4	1/4	10.500	11.000	.275	250-10500
10-1/2	11	1/2	1/4	10.500	11.000	.550	250-10500-500
10-1/2	11	9/16	1/4	10.500	11.000	.619	250-10500-562B
10-1/2	11-1/8	1/2	5/16	10.500	11.125	.550	312-10500-500
10-1/2	11-1/4	3/8	3/8	10.500	11.250	.413	375-10500
10-1/2	11-1/4	3/8	3/8	10.500	11.250	.413	375-10500-375B
10-1/2	11-1/4	5/8	3/8	10.500	11.250	.688	375-10500-625
10-1/2	11-1/4	5/8	3/8	10.500	11.250	.688	375-10500-625B
10-1/2	11-1/2	1/2	1/2	10.500	11.500	.550	500-10500
10-1/2	11-1/2	3/4	1/2	10.500	11.500	.825	500-10500-750
10-1/2	11-1/2	3/4	1/2	10.500	11.500	.825	500-10500-750B
10-1/2	11-3/4	5/8	5/8	10.500	11.750	.688	625-10500
10-1/2	11-3/4	3/4	5/8	10.500	11.750	.825	625-10500-750B
10-1/2	12	3/4	3/4	10.500	12.000	.825	750-10500
10-1/2	12	1	3/4	10.500	12.000	1.100	750-10500-1000B
10-1/2	12	1-1/4	3/4	10.500	12.000	1.375	750-10500-1250
10-5/8	11-5/8	3/4	1/2	10.625	11.625	.825	500-10625-750
10-3/4	11-1/4	1/4	1/4	10.750	11.250	.275	250-10750
10-3/4	11-1/2	3/8	3/8	10.750	11.500	.413	375-10750
10-3/4	11-1/2	5/8	3/8	10.750	11.500	.688	375-10750-625
10-3/4	11-1/2	5/8	3/8	10.750	11.500	.688	375-10750-625B

# Rubber Energized U-Cup



(Inch Size)

Nominal Part Size				Rod/Groove Dia.	Bore/Groove Dia.	Groove Width	Reference (For order processing)
ID	OD	H	CS	d	D	L	
10-3/4	11-3/4	1/2	1/2	10.750	11.750	.550	500-10750
10-3/4	11-3/4	3/4	1/2	10.750	11.750	.825	500-10750-750
10-3/4	12-1/4	3/4	3/4	10.750	12.250	.825	750-10750
10-7/8	11-3/8	1/4	1/4	10.875	11.375	.275	250-10875
10-7/8	11-7/8	1/2	1/2	10.875	11.875	.550	500-10875
11	11-1/2	1/4	1/4	11.000	11.500	.275	250-11000
11	11-1/2	9/16	1/4	11.000	11.500	.619	250-11000-562B
11	11-3/4	3/8	3/8	11.000	11.750	.413	375-11000
11	12	1/2	1/2	11.000	12.000	.550	500-11000
11	12	3/4	1/2	11.000	12.000	.825	500-11000-750
11	12	3/4	1/2	11.000	12.000	.825	500-11000-750B
11	12-1/4	5/8	5/8	11.000	12.250	.688	625-11000
11	12-1/4	1	5/8	11.000	12.250	1.100	625-11000-1000
11	12-1/4	1	5/8	11.000	12.250	1.100	625-11000-1000B
11	12-1/2	3/4	3/4	11.000	12.500	.825	750-11000
11	12-1/2	1-1/4	3/4	11.000	12.500	1.375	750-11000-1250
11-1/4	11-3/4	1/4	1/4	11.250	11.750	.275	250-11250
11-1/4	11-3/4	3/8	1/4	11.250	11.750	.413	250-11250-375B
11-1/4	11-3/4	9/16	1/4	11.250	11.750	.619	250-11250-562B
11-1/4	12	3/8	3/8	11.250	12.000	.413	375-11250
11-1/4	12	5/8	3/8	11.250	12.000	.688	375-11250-625
11-1/4	12	5/8	3/8	11.250	12.000	.688	375-11250-625B
11-1/4	12-1/4	1/2	1/2	11.250	12.250	.550	500-11250
11-1/4	12-1/2	1	5/8	11.250	12.500	1.100	625-11250-1000B
11-3/8	12-3/8	1/2	1/2	11.375	12.375	.550	500-11375
11-3/8	12-3/8	3/4	1/2	11.375	12.375	.825	500-11375-750B
11-1/2	12	1/4	1/4	11.500	12.000	.275	250-11500
11-1/2	12-1/4	3/8	3/8	11.500	12.250	.413	375-11500
11-1/2	12-1/4	5/8	3/8	11.500	12.250	.688	375-11500-625
11-1/2	12-1/4	5/8	3/8	11.500	12.250	.688	375-11500-625B
11-1/2	12-1/2	1/2	1/2	11.500	12.500	.550	500-11500
11-1/2	12-1/2	3/4	1/2	11.500	12.500	.825	500-11500-750
11-1/2	12-1/2	3/4	1/2	11.500	12.500	.825	500-11500-750B
11-1/2	12-3/4	1	5/8	11.500	12.750	1.100	625-11500-1000B
11-1/2	13	1-1/4	3/4	11.500	13.000	1.375	750-11500-1250B
11-3/4	12-1/4	1/4	1/4	11.750	12.250	.275	250-11750
11-3/4	12-1/2	3/8	3/8	11.750	12.500	.413	375-11750
11-3/4	12-1/2	5/8	3/8	11.750	12.500	.688	375-11750-625B
11-3/4	12-1/2	3/4	3/8	11.750	12.500	.825	375-11750-750B
11-3/4	12-3/4	1/2	1/2	11.750	12.750	.550	500-11750
11-3/4	12-3/4	3/4	1/2	11.750	12.750	.825	500-11750-750B
11-3/4	13	1	5/8	11.750	13.000	1.100	625-11750-1000B
11-3/4	13-3/4	1	1	11.750	13.750	1.100	1000-11750
11-7/8	12-7/8	3/4	1/2	11.875	12.875	.825	500-11875-750B
12	12-1/2	1/4	1/4	12.000	12.500	.275	250-12000

## Rubber Energized U-Cup

(Inch Size)

Nominal Part Size				Rod/Groove Dia.	Bore/Groove Dia.	Groove Width	Reference (For order processing)
ID	OD	H	CS	d	D	L	
12	12-5/8	5/16	5/16	12.000	12.625	.344	312-12000
12	12-3/4	3/8	3/8	12.000	12.750	.413	375-12000
12	12-3/4	5/8	3/8	12.000	12.750	.688	375-12000-625B
12	13	1/2	1/2	12.000	13.000	.550	500-12000
12	13	3/4	1/2	12.000	13.000	.825	500-12000-750B
12	13-1/4	5/8	5/8	12.000	13.250	.688	625-12000
12	13-1/4	1	5/8	12.000	13.250	1.100	625-12000-1000
12	13-1/4	1	5/8	12.000	13.250	1.100	625-12000-1000B
12	13-1/2	3/4	3/4	12.000	13.500	.825	750-12000
12	13-1/2	1-1/4	3/4	12.000	13.500	1.375	750-12000-1250B
12	14	1	1	12.000	14.000	1.100	1000-12000
12	14	1-1/2	1	12.000	14.000	1.650	1000-12000-1500B
12	14-1/4	1-1/8	1-1/8	12.000	14.250	1.238	1125-12000
12-1/8	13-1/8	3/4	1/2	12.125	13.125	.825	500-12125-750B
12-1/4	12-7/8	5/8	5/16	12.250	12.875	.688	312-12250-625B
12-1/4	13	3/8	3/8	12.250	13.000	.413	375-12250
12-1/4	13	5/8	3/8	12.250	13.000	.688	375-12250-625
12-1/4	13	5/8	3/8	12.250	13.000	.688	375-12250-625B
12-1/4	13-1/4	3/4	1/2	12.250	13.250	.825	500-12250-750B
12-1/4	13-1/2	5/8	5/8	12.250	13.500	.688	625-12250
12-1/4	13-1/2	1	5/8	12.250	13.500	1.100	625-12250-1000B
12-1/4	13-7/8	1-1/8	13/16	12.250	13.875	1.238	812-12250-1125
12-1/2	13	1/4	1/4	12.500	13.000	.275	250-12500
12-1/2	13-1/8	5/8	5/16	12.500	13.125	.688	312-12500-625B
12-1/2	13-1/4	3/8	3/8	12.500	13.250	.413	375-12500
12-1/2	13-1/4	5/8	3/8	12.500	13.250	.688	375-12500-625
12-1/2	13-1/2	3/4	1/2	12.500	13.500	.825	500-12500-750
12-1/2	13-1/2	3/4	1/2	12.500	13.500	.825	500-12500-750B
12-1/2	13-3/4	1	5/8	12.500	13.750	1.100	625-12500-1000
12-1/2	14	3/4	3/4	12.500	14.000	.825	750-12500
12-1/2	14	1-1/4	3/4	12.500	14.000	1.375	750-12500-1250B
12-1/2	14-1/2	1	1	12.500	14.500	1.100	1000-12500
12-9/16	13-11/16	7/8	9/16	12.562	13.687	.963	562-12562-875B
12-3/4	13-1/4	9/16	1/4	12.750	13.250	.619	250-12750-562B
12-3/4	13-3/8	5/16	5/16	12.750	13.375	.344	312-12750
12-3/4	13-1/2	3/8	3/8	12.750	13.500	.413	375-12750
12-3/4	13-1/2	5/8	3/8	12.750	13.500	.688	375-12750-625B
12-3/4	13-3/4	1/2	1/2	12.750	13.750	.550	500-12750
12-3/4	14	5/8	5/8	12.750	14.000	.688	625-12750
12-3/4	14	1	5/8	12.750	14.000	1.100	625-12750-1000
13	13-1/2	1/4	1/4	13.000	13.500	.275	250-13000
13	13-1/2	9/16	1/4	13.000	13.500	.619	250-13000-562
13	13-1/2	9/16	1/4	13.000	13.500	.619	250-13000-562B
13	13-3/4	3/8	3/8	13.000	13.750	.413	375-13000
13	13-3/4	3/8	3/8	13.000	13.750	.413	375-13000-375B



# Rubber Energized U-Cup



(Inch Size)

Nominal Part Size				Rod/Groove Dia.	Bore/Groove Dia.	Groove Width	Reference (For order processing)
ID	OD	H	CS	d	D	L	
13	13-3/4	5/8	3/8	13.000	13.750	.688	375-13000-625B
13	14	1/2	1/2	13.000	14.000	.550	500-13000
13	14	3/4	1/2	13.000	14.000	.825	500-13000-750
13	14	3/4	1/2	13.000	14.000	.825	500-13000-750B
13	14-1/4	5/8	5/8	13.000	14.250	.688	625-13000
13	14-1/2	3/4	3/4	13.000	14.500	.825	750-13000
13	14-1/2	1	3/4	13.000	14.500	1.100	750-13000-1000B
13	14-3/4	1-3/8	7/8	13.000	14.750	1.513	875-13000-1375
13-3/16	14	13/32	13/32	13.187	14.000	.447	406-13187
13-1/4	14	3/8	3/8	13.250	14.000	.413	375-13250
13-1/4	14-1/4	1/2	1/2	13.250	14.250	.550	500-13250
13-1/4	14-1/4	3/4	1/2	13.250	14.250	.825	500-13250-750
13-1/4	14-1/4	3/4	1/2	13.250	14.250	.825	500-13250-750B
13-3/8	14	5/16	5/16	13.375	14.000	.344	312-13375
13-1/2	14	1/4	1/4	13.500	14.000	.275	250-13500
13-1/2	14-1/4	3/8	3/8	13.500	14.250	.413	375-13500
13-1/2	14-1/4	5/8	3/8	13.500	14.250	.688	375-13500-625
13-1/2	14-1/4	5/8	3/8	13.500	14.250	.688	375-13500-625B
13-1/2	14-1/2	3/4	1/2	13.500	14.500	.825	500-13500-750
13-1/2	14-1/2	3/4	1/2	13.500	14.500	.825	500-13500-750B
13-1/2	14-3/4	7/8	5/8	13.500	14.750	.963	625-13500-875B
13-1/2	15	3/4	3/4	13.500	15.000	.825	750-13500
13-3/4	14-1/2	3/8	3/8	13.750	14.500	.413	375-13750
13-3/4	14-1/2	5/8	3/8	13.750	14.500	.688	375-13750-625B
13-3/4	15-1/4	3/4	3/4	13.750	15.250	.825	750-13750
14	14-1/2	1/4	1/4	14.000	14.500	.275	250-14000
14	14-1/2	3/8	1/4	14.000	14.500	.413	250-14000-375
14	14-3/4	3/8	3/8	14.000	14.750	.413	375-14000
14	15	1/2	1/2	14.000	15.000	.550	500-14000
14	15	3/4	1/2	14.000	15.000	.825	500-14000-750
14	15	3/4	1/2	14.000	15.000	.825	500-14000-750B
14	15-1/4	1	5/8	14.000	15.250	1.100	625-14000-1000B
14	15-1/2	3/4	3/4	14.000	15.500	.825	750-14000
14	15-1/2	1-1/4	3/4	14.000	15.500	1.375	750-14000-1250B
14	15-3/4	1-1/2	7/8	14.000	15.750	1.650	875-14000-1500
14	16	1	1	14.000	16.000	1.100	1000-14000
14-1/8	14-5/8	1/4	1/4	14.125	14.625	.275	250-14125
14-1/4	14-3/4	1/4	1/4	14.250	14.750	.275	250-14250
14-1/4	14-7/8	5/16	5/16	14.250	14.875	.344	312-14250
14-1/4	15	5/8	3/8	14.250	15.000	.688	375-14250-625B
14-1/4	15-3/4	3/4	3/4	14.250	15.750	.825	750-14250
14.420	15.420	1/2	1/2	14.420	15.420	.550	500-14420-500B
14-1/2	15	3/8	1/4	14.500	15.000	.413	250-14500-375
14-1/2	15-1/4	3/8	3/8	14.500	15.250	.413	375-14500
14-1/2	15-1/2	1/2	1/2	14.500	15.500	.550	500-14500

## Rubber Energized U-Cup

(Inch Size)

Nominal Part Size				Rod/Groove Dia.	Bore/Groove Dia.	Groove Width	Reference (For order processing)
ID	OD	H	CS	d	D	L	
14-1/2	16	3/4	3/4	14.500	16.000	.825	750-14500
14-1/2	16-1/2	1	1	14.500	16.500	1.100	1000-14500
14-3/4	15-1/2	3/8	3/8	14.750	15.500	.413	375-14750
14-3/4	15-1/2	5/8	3/8	14.750	15.500	.688	375-14750-625
14-3/4	15-1/2	5/8	3/8	14.750	15.500	.688	375-14750-625B
14-3/4	15-3/4	3/4	1/2	14.750	15.750	.825	500-14750-750B
14-3/4	16	5/8	5/8	14.750	16.000	.688	625-14750
14-3/4	16-1/4	3/4	3/4	14.750	16.250	.825	750-14750
14-7/8	15-1/2	5/16	5/16	14.875	15.500	.344	312-14875
14-7/8	15-5/8	5/8	3/8	14.875	15.625	.688	375-14875-625
15	15-1/2	9/16	1/4	15.000	15.500	.619	250-15000-562
15	15-1/2	9/16	1/4	15.000	15.500	.619	250-15000-562B
15	15-3/4	3/8	3/8	15.000	15.750	.413	375-15000
15	16	1/2	1/2	15.000	16.000	.550	500-15000
15	16	3/4	1/2	15.000	16.000	.825	500-15000-750
15	16	3/4	1/2	15.000	16.000	.825	500-15000-750B
15	16-1/4	5/8	5/8	15.000	16.250	.688	625-15000
15	16-1/2	1-1/4	3/4	15.000	16.500	1.375	750-15000-1250
15	17	1-1/2	1	15.000	17.000	1.650	1000-15000-1500B
15-1/4	16	5/8	3/8	15.250	16.000	.688	375-15250-625
15-1/4	16-1/4	3/4	1/2	15.250	16.250	.825	500-15250-750B
15-3/8	16	5/8	5/16	15.375	16.000	.688	312-15375-625
15-1/2	16-1/4	3/8	3/8	15.500	16.250	.413	375-15500
15-1/2	16-1/2	3/4	1/2	15.500	16.500	.825	500-15500-750
15-1/2	16-1/2	3/4	1/2	15.500	16.500	.825	500-15500-750B
15-1/2	16-3/4	1	5/8	15.500	16.750	1.100	625-15500-1000B
15-5/8	16-1/4	5/8	5/16	15.625	16.250	.688	312-15625-625B
15-5/8	17-1/8	1-1/4	3/4	15.625	17.125	1.375	750-15625-1250B
15-3/4	16-1/4	9/16	1/4	15.750	16.250	.619	250-15750-562
15-3/4	16-1/2	3/8	3/8	15.750	16.500	.413	375-15750
15-3/4	16-3/4	1/2	1/2	15.750	16.750	.550	500-15750
15-7/8	16-1/2	5/16	5/16	15.875	16.500	.344	312-15875
16	16-1/2	1/4	1/4	16.000	16.500	.275	250-16000-250
16	16-1/2	3/8	1/4	16.000	16.500	.413	250-16000-375
16	16-3/4	3/8	3/8	16.000	16.750	.413	375-16000
16	16-3/4	5/8	3/8	16.000	16.750	.688	375-16000-625
16	17	3/4	1/2	16.000	17.000	.825	500-16000-750
16	17-1/2	3/4	3/4	16.000	17.500	.825	750-16000
16	17-3/4	1-1/4	7/8	16.000	17.750	1.375	875-16000-1250
16	17-3/4	1-3/8	7/8	16.000	17.750	1.513	875-16000-1375
16	18	1	1	16.000	18.000	1.100	1000-16000
16	18	1-1/4	1	16.000	18.000	1.375	1000-16000-1250
16	18	1-1/4	1	16.000	18.000	1.375	1000-16000-1250B
16-1/4	17	3/8	3/8	16.250	17.000	.413	375-16250
16-1/4	18	7/8	7/8	16.250	18.000	.963	875-16250

# Rubber Energized U-Cup



(Inch Size)

Nominal Part Size				Rod/Groove Dia.	Bore/Groove Dia.	Groove Width	Reference (For order processing)
ID	OD	H	CS	d	D	L	
16.410	17.410	1/2	1/2	16.410	17.410	.550	500-16410-500B
16-1/2	17-1/4	3/8	3/8	16.500	17.250	.413	375-16500
16-1/2	17-1/2	3/4	1/2	16.500	17.500	.825	500-16500-750B
16-1/2	18	3/4	3/4	16.500	18.000	.825	750-16500-750
16-1/2	18	1-1/4	3/4	16.500	18.000	1.375	750-16500-1250
16-3/4	17-3/4	3/4	1/2	16.750	17.750	.825	500-16750-750B
16-3/4	18	5/8	5/8	16.750	18.000	.688	625-16750
17	18	1/2	1/2	17.000	18.000	.550	500-17000
17	18	3/4	1/2	17.000	18.000	.825	500-17000-750
17	18	3/4	1/2	17.000	18.000	.825	500-17000-750B
17	19	1-1/4	1	17.000	19.000	1.375	1000-17000-1250
17-1/4	18	3/8	3/8	17.250	18.000	.413	375-17250
17-3/8	18-7/8	1-1/4	3/4	17.375	18.875	1.375	750-17375-1250B
17-3/8	19	1-1/8	13/16	17.375	19.000	1.238	812-17375-1125
17-1/2	18-1/2	1/2	1/2	17.500	18.500	.550	500-17500
17-1/2	18-1/2	3/4	1/2	17.500	18.500	.825	500-17500-750B
17-1/2	18-3/4	1	5/8	17.500	18.750	1.100	625-17500-1000
17-1/2	19-1/2	1-1/2	1	17.500	19.500	1.650	1000-17500-1500B
17-5/8	19-1/8	1-1/4	3/4	17.625	19.125	1.375	750-17625-1250B
17-3/4	18-1/2	1/2	3/8	17.750	18.500	.550	375-17750-500
17-3/4	19	1	5/8	17.750	19.000	1.100	625-17750-1000B
17-15/16	19-3/8	1-1/4	23/32	17.937	19.375	1.375	719-17937-1250B
18	19	3/4	1/2	18.000	19.000	.825	500-18000-750
18	19	3/4	1/2	18.000	19.000	.825	500-18000-750B
18	19-1/4	1-1/4	5/8	18.000	19.250	1.375	625-18000-1250
18	19-1/2	3/4	3/4	18.000	19.500	.825	750-18000
18	19-1/2	1-1/4	3/4	18.000	19.500	1.375	750-18000-1250
18	19-3/4	1-1/4	7/8	18.000	19.750	1.375	875-18000-1250
18-1/2	19-1/2	3/4	1/2	18.500	19.500	.825	500-18500-750
18-1/2	20-1/2	1	1	18.500	20.500	1.100	1000-18500
18-3/4	20	5/8	5/8	18.750	20.000	.688	625-18750
18-3/4	20	1	5/8	18.750	20.000	1.100	625-18750-1000B
19	19-1/2	1/4	1/4	19.000	19.500	.275	250-19000
19	20	1/2	1/2	19.000	20.000	.550	500-19000
19	20	3/4	1/2	19.000	20.000	.825	500-19000-750
19	20	3/4	1/2	19.000	20.000	.825	500-19000-750B
19	20-1/2	3/4	3/4	19.000	20.500	.825	750-19000
19	20-1/2	1-1/4	3/4	19.000	20.500	1.375	750-19000-1250B
19-1/8	19-5/8	9/16	1/4	19.125	19.625	.619	250-19125-562B
19-1/8	20-1/8	3/4	1/2	19.125	20.125	.825	500-19125-750
19-1/4	20	5/8	3/8	19.250	20.000	.688	375-19250-625B
19-1/4	20-1/2	5/8	5/8	19.250	20.500	.688	625-19250
19-3/8	20-1/4	1/2	7/16	19.375	20.250	.550	437-19375-500B
19-1/2	20	1/4	1/4	19.500	20.000	.275	250-19500-250
19-1/2	20	5/16	1/4	19.500	20.000	.344	250-19500-312

## Rubber Energized U-Cup

(Inch Size)

Nominal Part Size				Rod/Groove Dia.	Bore/Groove Dia.	Groove Width	Reference (For order processing)
ID	OD	H	CS	d	D	L	
19-1/2	20-1/2	1/2	1/2	19.500	20.500	.550	500-19500
19-5/8	20-5/8	3/4	1/2	19.625	20.625	.825	500-19625-750B
19-3/4	21	1	5/8	19.750	21.000	1.100	625-19750-1000B
19-15/16	21-11/16	1-3/8	7/8	19.937	21.687	1.513	875-19937-1375B
20	21	1/2	1/2	20.000	21.000	.550	500-20000
20	21	3/4	1/2	20.000	21.000	.825	500-20000-750
20	21	3/4	1/2	20.000	21.000	.825	500-20000-750B
20	21-1/4	5/8	5/8	20.000	21.250	.688	625-20000
20	21-1/2	1	3/4	20.000	21.500	1.100	750-20000-1000B
20	21-1/2	1-1/4	3/4	20.000	21.500	1.375	750-20000-1250
20	21-1/2	1-1/4	3/4	20.000	21.500	1.375	750-20000-1250B
20	21-3/4	7/8	7/8	20.000	21.750	.963	875-20000
20	22	7/8	1	20.000	22.000	.963	1000-20000-875
20	22	1-1/2	1	20.000	22.000	1.650	1000-20000-1500
20-1/4	21-1/4	3/4	1/2	20.250	21.250	.825	500-20250-750B
20-1/2	21-1/2	3/4	1/2	20.500	21.500	.825	500-20500-750
20-1/2	22	3/4	3/4	20.500	22.000	.825	750-20500
20-1/2	22	1	3/4	20.500	22.000	1.100	750-20500-1000B
21	21-1/2	5/16	1/4	21.000	21.500	.344	250-21000-312
21	22	1/2	1/2	21.000	22.000	.550	500-21000
21	22	3/4	1/2	21.000	22.000	.825	500-21000-750
21	22	3/4	1/2	21.000	22.000	.825	500-21000-750B
21	22-1/2	1-1/4	3/4	21.000	22.500	1.375	750-21000-1250
21-1/4	23-1/4	1-1/2	1	21.250	23.250	1.650	1000-21250-1500B
21-1/2	22-1/2	3/4	1/2	21.500	22.500	.825	500-21500-750
21-1/2	23	1-1/4	3/4	21.500	23.000	1.375	750-21500-1250
21-3/4	22-1/4	3/8	1/4	21.750	22.250	.413	250-21750-375B
21-13/16	22-7/16	5/16	5/16	21.812	22.437	.344	312-21812
22	23-1/2	3/4	3/4	22.000	23.500	.825	750-22000
22	23-1/2	1-1/4	3/4	22.000	23.500	1.375	750-22000-1250
22	24	1-3/8	1	22.000	24.000	1.513	1000-22000-1375
22-1/16	22-9/16	3/8	1/4	22.062	22.562	.413	250-22062-375B
22-1/4	23-3/4	1-1/4	3/4	22.250	23.750	1.375	750-22250-1250
22-1/2	23	5/16	1/4	22.500	23.000	.344	250-22500-312
22-1/2	24	3/4	3/4	22.500	24.000	.825	750-22500
22-1/2	24	1-1/4	3/4	22.500	24.000	1.375	750-22500-1250
22-3/4	23-3/4	5/8	1/2	22.750	23.750	.688	500-22750-625
23	23-1/2	3/8	1/4	23.000	23.500	.413	250-23000-375B
23	23-3/4	3/8	3/8	23.000	23.750	.413	375-23000
23	24	1/2	1/2	23.000	24.000	.550	500-23000
23-1/4	24	5/8	3/8	23.250	24.000	.688	375-23250-625
23-3/8	25-3/8	1	1	23.375	25.375	1.100	1000-23375
23-1/2	24	1/4	1/4	23.500	24.000	.275	250-23500
23-1/2	25	1-1/4	3/4	23.500	25.000	1.375	750-23500-1250B
23-3/4	24-1/4	3/8	1/4	23.750	24.250	.413	250-23750-375B

# Rubber Energized U-Cup



(Inch Size)

Nominal Part Size				Rod/Groove Dia.	Bore/Groove Dia.	Groove Width	Reference (For order processing)
ID	OD	H	CS	d	D	L	
24	24-3/4	5/8	3/8	24.000	24.750	.688	375-24000-625
24	25	3/4	1/2	24.000	25.000	.825	500-24000-750B
24	25-1/2	1-1/4	3/4	24.000	25.500	1.375	750-24000-1250
24	25-3/4	1-1/4	7/8	24.000	25.750	1.375	875-24000-1250
24	26	1-1/2	1	24.000	26.000	1.650	1000-24000-1500B
24-1/2	25	1/4	1/4	24.500	25.000	.275	250-24500
24-1/2	25-1/2	3/4	1/2	24.500	25.500	.825	500-24500-750B
24-1/2	26	.688	3/4	24.500	26.000	.757	750-24500-688
24-3/4	26	5/8	5/8	24.750	26.000	.688	625-24750
24-7/8	25-7/8	3/4	1/2	24.875	25.875	.825	500-24875-750B
25	25-3/4	5/8	3/8	25.000	25.750	.688	375-25000-625B
25	27	1-11/32	1	25.000	27.000	1.477	1000-25000-1343
25-1/4	26-1/4	3/4	1/2	25.250	26.250	.825	500-25250-750
25-1/2	26-1/4	5/8	3/8	25.500	26.250	.688	375-25500-625
25-1/2	27	3/4	3/4	25.500	27.000	.825	750-25500
25-3/4	26-1/2	5/8	3/8	25.750	26.500	.688	375-25750-625B
26	27	1/2	1/2	26.000	27.000	.550	500-26000
26	27-1/2	3/4	3/4	26.000	27.500	.825	750-26000
26	28	1-1/2	1	26.000	28.000	1.650	1000-26000-1500
26	28	1-1/2	1	26.000	28.000	1.650	1000-26000-1500B
26-1/8	27-1/8	3/4	1/2	26.125	27.125	.825	500-26125-750B
26.190	27.190	5/8	1/2	26.190	27.190	.688	500-26190-625B
26-1/2	27-1/2	1/2	1/2	26.500	27.500	.550	500-26500
26-1/2	27-1/2	3/4	1/2	26.500	27.500	.825	500-26500-750B
26-23/32	27-7/32	5/16	1/4	26.718	27.218	.344	250-26718-312
26-3/4	27-1/2	5/8	3/8	26.750	27.500	.688	375-26750-625
27	28	3/4	1/2	27.000	28.000	.825	500-27000-750
27-1/4	28	3/8	3/8	27.250	28.000	.413	375-27250
27-1/2	28-1/2	3/4	1/2	27.500	28.500	.825	500-27500-750
27-5/8	28-3/8	3/8	3/8	27.625	28.375	.413	375-27625
28	29	1/2	1/2	28.000	29.000	.550	500-28000
28	29	3/4	1/2	28.000	29.000	.825	500-28000-750
28	30	1	1	28.000	30.000	1.100	1000-28000
28-1/2	29-1/2	3/4	1/2	28.500	29.500	.825	500-28500-750
28-3/4	29-1/2	5/8	3/8	28.750	29.500	.688	375-28750-625
29	29-3/4	5/8	3/8	29.000	29.750	.688	375-29000-625
29	30	3/4	1/2	29.000	30.000	.825	500-29000-750
29	30	3/4	1/2	29.000	30.000	.825	500-29000-750B
29	31	1-1/2	1	29.000	31.000	1.650	1000-29000-1500
29	31	1-1/2	1	29.000	31.000	1.650	1000-29000-1500B
29-1/2	31	1-1/2	3/4	29.500	31.000	1.650	750-29500-1500
30	30-3/4	5/8	3/8	30.000	30.750	.688	375-30000-625B
30	31	5/8	1/2	30.000	31.000	.688	500-30000-625
30	31-1/4	1	5/8	30.000	31.250	1.100	625-30000-1000B
30	32	1-1/2	1	30.000	32.000	1.650	1000-30000-1500B

## Rubber Energized U-Cup

(Inch Size)

Nominal Part Size				Rod/Groove Dia.	Bore/Groove Dia.	Groove Width	Reference (For order processing)
ID	OD	H	CS	d	D	L	
30-1/4	31-1/4	3/4	1/2	30.250	31.250	.825	500-30250-750
30-3/4	31-3/4	3/4	1/2	30.750	31.750	.825	500-30750-750B
31	32	1/2	1/2	31.000	32.000	.550	500-31000
31	32-1/2	.688	3/4	31.000	32.500	.757	750-31000-688
31-1/2	32-1/4	5/8	3/8	31.500	32.250	.688	375-31500-625
31-3/4	32-1/2	3/8	3/8	31.750	32.500	.413	375-31750
32	32-3/4	5/8	3/8	32.000	32.750	.688	375-32000-625
32	33	1/2	1/2	32.000	33.000	.550	500-32000
32	33-1/2	7/8	3/4	32.000	33.500	.963	750-32000-875
32-1/2	33-1/4	3/8	3/8	32.500	33.250	.413	375-32500
33	34	3/4	1/2	33.000	34.000	.825	500-33000-750
33-3/8	35-3/8	1-1/2	1	33.375	35.375	1.650	1000-33375-1500B
34	34-3/4	5/8	3/8	34.000	34.750	.688	375-34000-625
34-1/2	35-1/2	3/4	1/2	34.500	35.500	.825	500-34500-750B
35	35-3/4	5/8	3/8	35.000	35.750	.688	375-35000-625
36	36-3/4	5/8	3/8	36.000	36.750	.688	375-36000-625
36	37-3/4	1-3/8	7/8	36.000	37.750	1.513	875-36000-1375B
37	37-3/4	5/8	3/8	37.000	37.750	.688	375-37000-625
37	38	3/4	1/2	37.000	38.000	.825	500-37000-750
37-1/2	38-1/4	3/8	3/8	37.500	38.250	.413	375-37500
38	39	3/4	1/2	38.000	39.000	.825	500-38000-750B
38-1/2	39-1/4	3/8	3/8	38.500	39.250	.413	375-38500
38-3/4	39-3/4	3/4	1/2	38.750	39.750	.825	500-38750-750B
40	40-3/4	5/8	3/8	40.000	40.750	.688	375-40000-625
41	42	3/4	1/2	41.000	42.000	.825	500-41000-750B
42	43	3/4	1/2	42.000	43.000	.825	500-42000-750B
43-1/2	44-1/2	3/4	1/2	43.500	44.500	.825	500-43500-750B
44-1/8	45-1/8	3/4	1/2	44.125	45.125	.825	500-44125-750B
47-1/2	48-1/2	3/4	1/2	47.500	48.500	.825	500-47500-750B