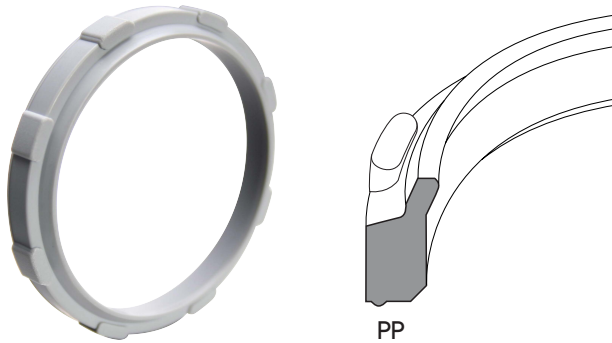


## Cushion Seals

PP

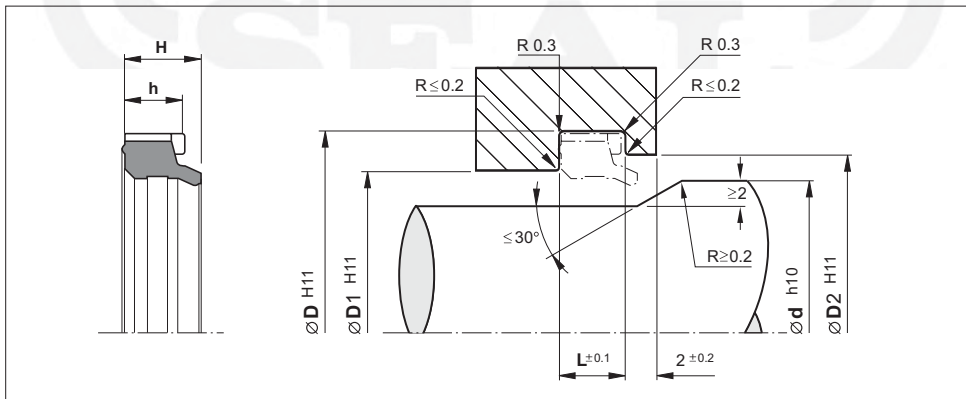
(Metric Size)



Material	Pressure (Bar)	Temp. (°C)	Speed (m/s)
PU	16	-35 +80	1

- As the seal functions as a check valve, no separate valve is necessary.
- High cushioning consistency due to automatic centering.
- Increased reliability due to two independent sealing systems.
- Easy manual snap assembly.

### Installation Recommendation



### Surface roughness

Ra

Rt

Sliding surface

≤ 0.3 μm

≤ 4 μm

Surface of housing

≤ 1.8 μm

≤ 10 μm

Sides of housing

≤ 3.0 μm

≤ 16 μm

# Cushion Seals - PP

(Metric Size)

Cushion Dia.	Groove Dimensions				Seal Step Height	Seal Height	Reference (For order processing)	Reference (For order processing)
	d	D	D1	D2	L	h		
4.5	8.0	5.0	6.5	3.1	2.6	3.5	PP0408 N	
5.0	9.0	5.5	7.0	3.7	3.2	4.1	PP0509 N	
6.0	10.0	6.5	8.0	3.7	3.2	4.1	PP0610 N	
7.8	11.6	8.5	10.0	3.3	2.8	3.5		PP0711 P
8.0	11.6	8.5	10.0	3.3	2.8	3.5	PP0811 N	PP0811 P
9.5	15.0	10.0	12.0	4.5	3.7	4.6	PP0915 N	PP0915 P
10.0	18.0	10.5	13.0	7.0	6.3	7.8	PP1018 N	
10.0	18.0	10.5	15.0	7.0	6.3	7.8		PP1018 P
12.0	18.0	13.0	15.5	4.8	4.1	5.0	PP1218 N	PP1218 P
12.0	20.0	13.0	17.0	7.0	6.3	7.8	PP1220 N	
14.0	22.0	15.0	19.0	7.0	6.3	7.8	PP1422 N	PP1422 P
16.0	22.0	17.0	19.5	5.2	4.5	5.5	PP1622 N	PP1622 P
16.0	24.0	17.0	21.0	7.0	6.3	7.8	PP1624 N	PP1624 P
18.0	26.0	19.0	23.0	7.0	6.3	7.8	PP1826 N	PP1826 P
20.0	28.0	21.0	24.0	7.0	6.3	7.8	PP2028 N	PP2028 P
22.0	30.0	23.0	26.0	7.0	6.3	7.8	PP2230 N	PP2230 P
25.0	33.0	26.0	29.0	7.0	6.3	7.8	PP2533 N	PP2533 P
28.0	36.0	29.0	32.0	7.0	6.3	7.8	PP2836 N	PP2836 P
30.0	40.0	31.5	35.0	7.0	6.2	7.8	PP3040 N	
30.0	40.0	31.5	35.0	7.0	6.3	7.8		PP3040 P
32.0	42.0	33.5	37.0	7.0	6.2	7.8	PP3242 N	PP3242 P
36.0	46.0	37.5	41.0	7.0	6.2	7.8	PP3646 N	PP3646 P
40.0	50.0	41.5	45.0	7.0	6.2	7.8	PP4050 N	PP4050 P
50.0	60.0	51.5	55.0	7.0	6.2	7.8	PP5060 N	PP5060 P
50.0	67.0	53.0	58.0	12.5	11.0	11.0	PP5067 N	
57.0	74.0	60.0	65.0	12.5	11.0	11.0	PP5774 N	PP5774 P
70.0	87.0	73.0	78.0	12.5	11.0	11.0	PP7087 N	
78.0	95.0	81.0	86.0	12.5	11.0	11.0	PP7895 N	PP7895 P