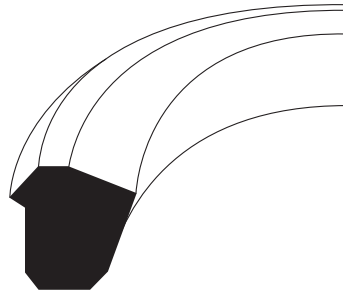


Rod Seals

PS

(Metric Size)

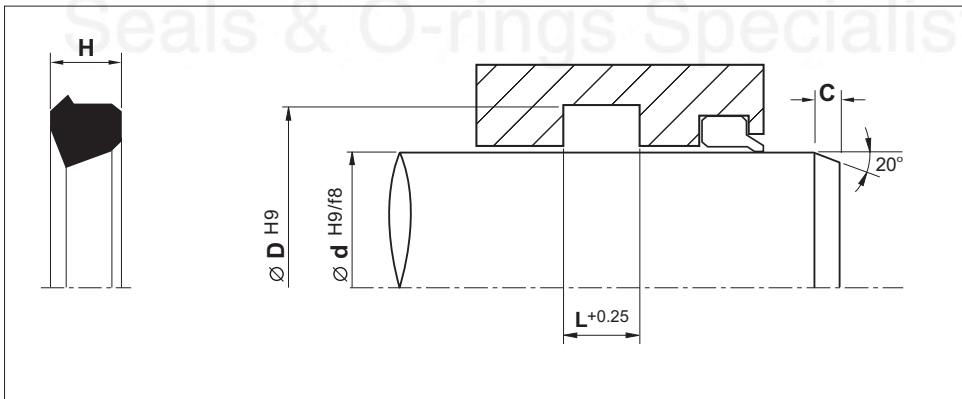


PS

Material	Pressure (Bar)	Temp. (°C)	Speed (m/s)
NBR	140 (210)	-10 +80	0.5

- No damage due to twisting or rolling.
- Compatible with O-rings of JIS B2401 P series.
- Sealing performance is superior.

Installation Recommendation



Surface roughness	Ra	Rt	Chamfers	
Sliding surface	≤ 0.3 μm	≤ 4 μm	d	C
Surface of housing	≤ 1.8 μm	≤ 10 μm	3-22	1.5
Sides of housing	≤ 3.0 μm	≤ 16 μm	22-48	3.0
			48-100	4.0

# Rod Seal - PS

(Metric Size)

Rod Dia.	Groove Dia.	Seal Height	Groove Width		Reference (For order processing)	Rod Dia.	Groove Dia.	Seal Height	Groove Width		Reference (For order processing)
d	D	H	L	L1*		d	D	H	L	L1*	
3.0	6.0	2.0	2.5	3.9	PS-003	42.0	48.0	4.3	4.7	6.0	PS-042
4.0	7.0	2.0	2.5	3.9	PS-004	44.0	50.0	4.3	4.7	6.0	PS-044
5.0	8.0	2.0	2.5	3.9	PS-005	45.0	51.0	4.3	4.7	6.0	PS-045
6.0	9.0	2.0	2.5	3.9	PS-006	46.0	52.0	4.3	4.7	6.0	PS-046
7.0	10.0	2.0	2.5	3.9	PS-007	48.0	54.0	4.3	4.7	6.0	PS-048
8.0	11.0	2.0	2.5	3.9	PS-008	48.0	58.0	6.9	7.5	9.0	PS-048A
9.0	12.0	2.0	2.5	3.9	PS-009	50.0	56.0	4.3	4.7	6.0	PS-050
10.0	13.0	2.0	2.5	3.9	PS-010	50.0	60.0	6.9	7.5	9.0	PS-050A
10.0	14.0	2.9	3.2	4.4	PS-010A	52.0	62.0	6.9	7.5	9.0	PS-052
11.2	15.2	2.9	3.2	4.4	PS-011.2	53.0	63.0	6.9	7.5	9.0	PS-053
12.0	16.0	2.9	3.2	4.4	PS-012	55.0	65.0	6.9	7.5	9.0	PS-055
12.5	16.5	2.9	3.2	4.4	PS-012.5	56.0	66.0	6.9	7.5	9.0	PS-056
14.0	18.0	2.9	3.2	4.4	PS-014	58.0	68.0	6.9	7.5	9.0	PS-058
15.0	19.0	2.9	3.2	4.4	PS-015	60.0	70.0	6.9	7.5	9.0	PS-060
16.0	20.0	2.9	3.2	4.4	PS-016	62.0	72.0	6.9	7.5	9.0	PS-062
18.0	22.0	2.9	3.2	4.4	PS-018	63.0	73.0	6.9	7.5	9.0	PS-063
20.0	24.0	2.9	3.2	4.4	PS-020	65.0	75.0	6.9	7.5	9.0	PS-065
22.0	26.0	2.9	3.2	4.4	PS-022	67.0	77.0	6.9	7.5	9.0	PS-067
22.0	28.0	4.3	4.7	6.0	PS-022A	70.0	80.0	6.9	7.5	9.0	PS-070
22.4	28.4	4.3	4.7	6.0	PS-022.4	71.0	81.0	6.9	7.5	9.0	PS-071
24.0	30.0	4.3	4.7	6.0	PS-024	75.0	85.0	6.9	7.5	9.0	PS-075
25.0	31.0	4.3	4.7	6.0	PS-025	80.0	90.0	6.9	7.5	9.0	PS-080
26.0	32.0	4.3	4.7	6.0	PS-026	85.0	95.0	6.9	7.5	9.0	PS-085
28.0	34.0	4.3	4.7	6.0	PS-028	90.0	100.0	6.9	7.5	9.0	PS-090
30.0	36.0	4.3	4.7	6.0	PS-030	95.0	105.0	6.9	7.5	9.0	PS-095
31.0	37.0	4.3	4.7	6.0	PS-031	100.0	110.0	6.9	7.5	9.0	PS-100
31.5	37.5	4.3	4.7	6.0	PS-031.5						
32.0	38.0	4.3	4.7	6.0	PS-032						
34.0	40.0	4.3	4.7	6.0	PS-034						
35.0	41.0	4.3	4.7	6.0	PS-035						
35.5	41.5	4.3	4.7	6.0	PS-035.5						
36.0	42.0	4.3	4.7	6.0	PS-036						
38.0	44.0	4.3	4.7	6.0	PS-038						
40.0	46.0	4.3	4.7	6.0	PS-040						
41.0	47.0	4.3	4.7	6.0	PS-041						

\* L1 Groove for PS used with 1 back up ring can stand pressure up to 210 Bar