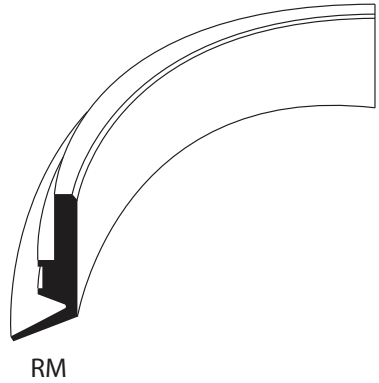
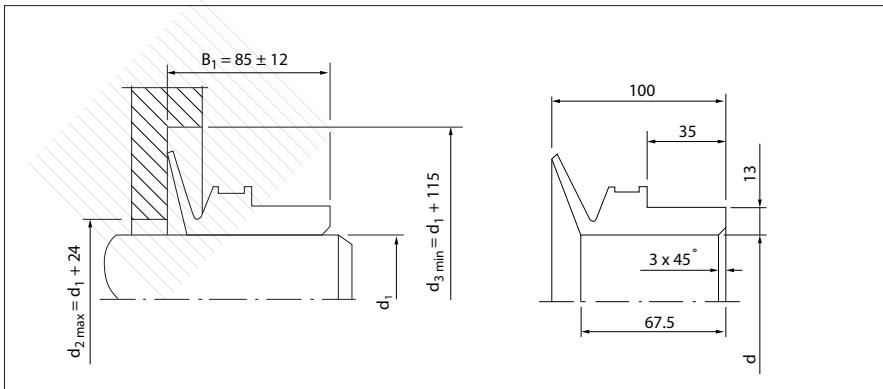


V-Ring type RM



Material	Temp. (°C)
NBR	-60/+115
FPM	-40/+230



V-Ring type RM

Profile dimensions - assembly dimensions

For shaft diameter d_1	Inside diameter d	Order Number	Reference TYPE RM
300 - 305	294	V-300RM/RME	RM03000
305 - 310	299	V-305RM/RME	RM03050
310 - 315	304	V-310RM/RME	RM03100
315 - 320	309	V-315RM/RME	RM03150
320 - 325	314	V-320RM/RME	RM03200
325 - 330	319	V-325RM/RME	RM03250
330 - 335	323	V-330RM/RME	RM03300
335 - 340	328	V-335RM/RME	RM03350
340 - 345	333	V-340RM/RME	RM03400
345 - 350	338	V-345RM/RME	RM03450
350 - 355	343	V-350RM/RME	RM03500
355 - 360	347	V-355RM/RME	RM03550
360 - 365	352	V-360RM/RME	RM03600
365 - 370	357	V-365RM/RME	RM03650
370 - 375	362	V-370RM/RME	RM03700