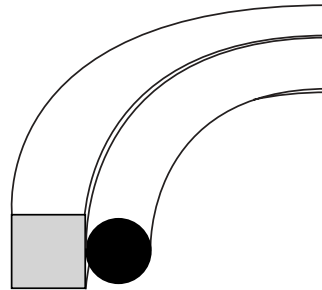


Piston Seals (Double Acting)

S-5000, PS1500

(Inch Size)

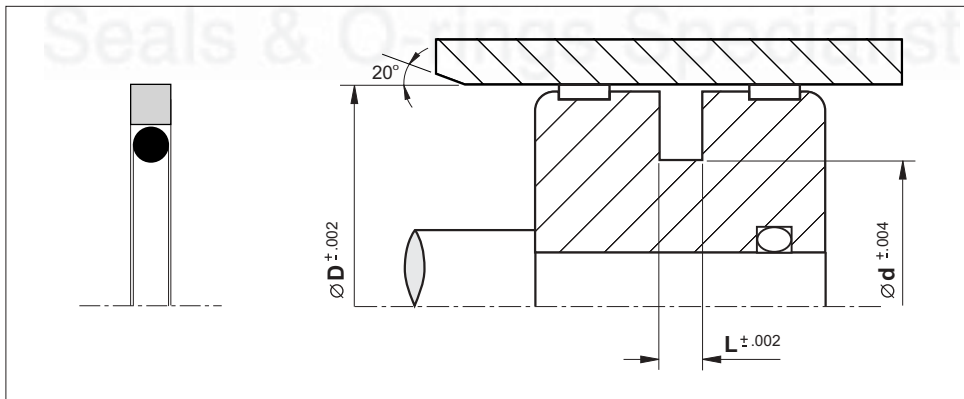


S-5000, PS1500

Material	Pressure (Bar)	Temp. (°C)	Speed (m/s)
PTFE+Glass, PU - O- Ring	350	-40 +110	1

- Lubrication not required.
- Stick / Slip / Breakaway problems eliminated.
- Easy installation and removal.

Installation Recommendation



Surface roughness

$\mu\text{in CLA}$

Sliding surface

4 to 16

Surface of housing

63 max

Sides of housing

125 max

Piston Sealing Set - S5000



(Inch Size)

Bore Dia.	Groove Dia.	Groove Width	O-Ring No.	Reference (For order processing)
D	d	L		
0.500	0.240	0.083	009	S-5000-008
0.625	0.365	0.083	011	S-5000-010
0.750	0.490	0.083	013	S-5000-012
1.000	0.740	0.083	017	S-5000-016
1.125	0.865	0.083	019	S-5000-018
1.250	0.990	0.083	021	S-5000-020
1.500	1.240	0.083	025	S-5000-024
1.625	1.235	0.122	123	S-5000-026
1.750	1.360	0.122	125	S-5000-028
2.000	1.606	0.130	129	S-5000-032
2.250	1.856	0.130	133	S-5000-036
2.500	2.106	0.130	137	S-5000-040
2.750	2.356	0.130	141	S-5000-044
3.000	2.606	0.130	145	S-5000-048
3.250	2.856	0.130	149	S-5000-052
3.500	3.106	0.130	151	S-5000-056
3.750	3.356	0.130	152	S-5000-060
4.000	3.606	0.130	153	S-5000-064
4.250	3.856	0.130	154	S-5000-068
4.500	4.106	0.130	155	S-5000-072
4.750	4.356	0.130	156	S-5000-076
5.000	4.606	0.130	157	S-5000-080
5.250	4.856	0.130	158	S-5000-084
5.500	5.106	0.130	159	S-5000-088
5.750	5.232	0.160	251	S-5000-092
6.000	5.482	0.160	253	S-5000-096
6.250	5.732	0.160	255	S-5000-100
6.500	5.982	0.160	257	S-5000-104
6.750	6.232	0.160	258	S-5000-108
7.000	6.482	0.160	259	S-5000-112
7.250	6.732	0.160	260	S-5000-116
7.500	6.982	0.160	261	S-5000-120
7.750	7.232	0.160	262	S-5000-124
8.000	7.482	0.160	263	S-5000-128
8.250	7.732	0.160	264	S-5000-132
8.500	7.982	0.160	265	S-5000-136