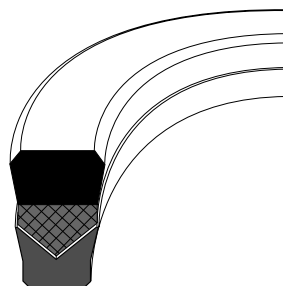


Rod Seals

SAL

(Inch Size)

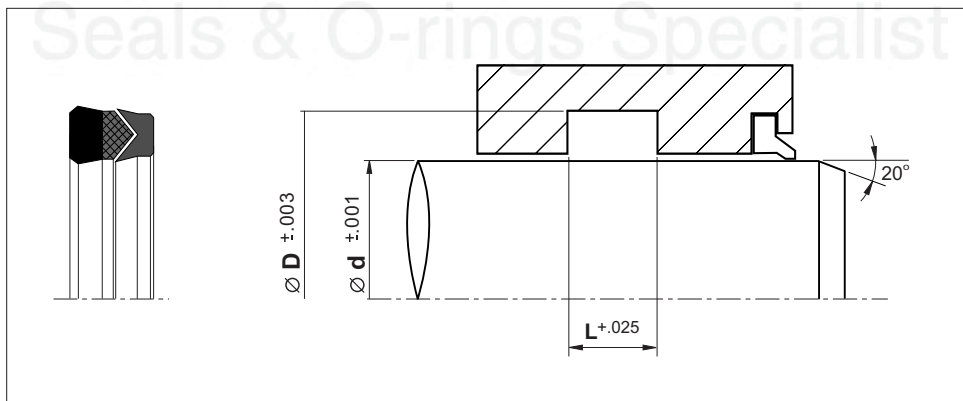


SAL

Material	Pressure (Bar)	Temp. (°c)	Speed (m/s)
NBR+Fabric-PU	400	-30 +100	0.5

- Small cross section.
- Easy installation.
- Excellent sealing effect.

Installation Recommendation



Surface roughness

$\mu\text{in CLA}$

Sliding surface

4 to 16

Surface of housing

63 max

Sides of housing

125 max

Rod Sealing Set - SAL



(Inch Size)

Rod Dia.	Groove Dia.	Groove Width	Diameter	Reference (For order processing)
d	D	L	d1	
2.750	3.200	.750	2.760	SAL 275
3.500	4.013	.750	3.510	SAL 350
4.375	4.888	.750	4.375	SAL 437
5.250	5.888	.750	5.260	SAL 525
6.312	6.889	.750	6.322	SAL 631
7.312	7.954	.750	7.322	SAL 731
8.375	9.000	.750	8.385	SAL 837
9.437	10.216	1.000	9.450	SAL 943



Seals & O-rings Specialist