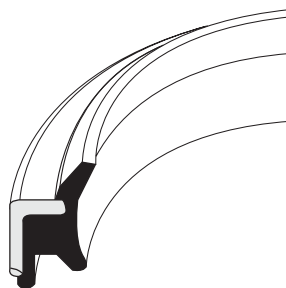


Wipers

SCB

(Metric Size)

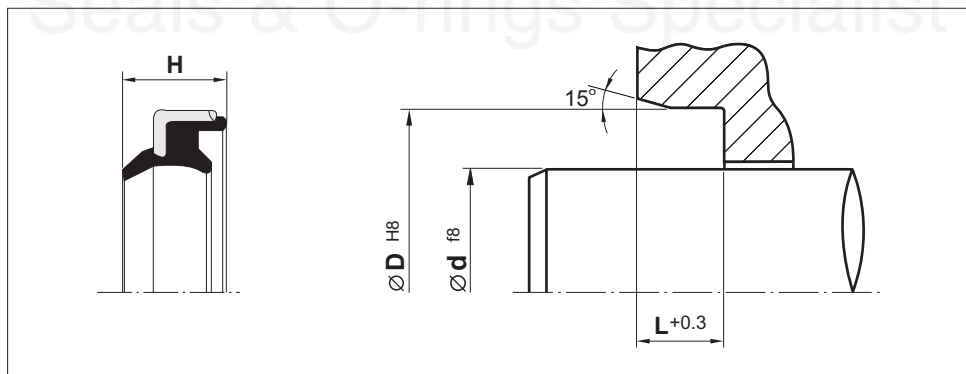


SCB

Material	Temp. (°C)	Speed (m/s)
NBR - Metal	-40 +100	1

- Meter casing type inserted into grooves by press fitting.
- Protect rod seals from dust and mud.
- High wear resistance.
- Long service life.

Installation Recommendation



Surface roughness	Ra	Rt
-------------------	----	----

Sliding surface	≤ 0.3 μm	≤ 4 μm
Surface of housing	≤ 1.8 μm	≤ 10 μm
Sides of housing	≤ 3.0 μm	≤ 16 μm

Metal Case Wiper - SCB



(Metric Size)

Rod Dia.	Groove		Seal Height	Reference (For order processing)	Rod Dia.	Groove		Seal Height	Reference (For order processing)
	Dia.	Width				Dia.	Width		
d	D	L	H		d	D	L	H	
8.0	18.0	5.0	8.0	SCB-008	71.0	85.0	8.0	11.0	SCB-071
10.0	20.0	5.0	8.0	SCB-010	75.0	89.0	8.0	11.0	SCB-075
12.0	22.0	5.0	8.0	SCB-012-022-05/8	78.0	92.0	8.0	11.0	SCB-078-092-08/11
12.5	23.0	5.0	8.0	SCB-012.5	80.0	94.0	8.0	11.0	SCB-080
14.0	24.0	5.0	8.0	SCB-014	85.0	99.0	8.0	11.0	SCB-085
15.0	25.0	5.0	8.0	SCB-015	90.0	104.0	8.0	11.0	SCB-090
16.0	26.0	5.0	8.0	SCB-016	95.0	109.0	8.0	11.0	SCB-095
18.0	30.0	6.0	9.0	SCB-018	98.0	112.0	8.0	11.0	SCB-098-112-08/11
20.0	32.0	6.0	9.0	SCB-020	100.0	114.0	8.0	11.0	SCB-100
22.0	32.0	6.0	9.0	SCB-022-032-06/9	105.0	121.0	9.0	12.0	SCB-105A
22.0	34.0	6.0	9.0	SCB-022	106.0	120.0	8.0	11.0	SCB-106
22.4	34.4	6.0	9.0	SCB-022.4	110.0	126.0	9.0	12.0	SCB-110
25.0	37.0	6.0	9.0	SCB-025	112.0	128.0	9.0	12.0	SCB-112
28.0	40.0	6.0	9.0	SCB-028	115.0	131.0	9.0	12.0	SCB-115
30.0	42.0	6.0	9.0	SCB-030	118.0	134.0	9.0	12.0	SCB-118
30.0	45.0	6.0	9.0	SCB-030-045-06/9	120.0	136.0	9.0	12.0	SCB-120
31.5	44.0	7.0	10.0	SCB-031.5	125.0	141.0	9.0	12.0	SCB-125
32.0	44.0	7.0	10.0	SCB-032	130.0	146.0	9.0	12.0	SCB-130
34.0	46.0	7.0	10.0	SCB-034-046-07/10	132.0	148.0	9.0	12.0	SCB-132
35.0	47.0	7.0	10.0	SCB-035	135.0	155.0	10.0	14.0	SCB-135
35.5	47.5	7.0	10.0	SCB-035.5	140.0	160.0	10.0	14.0	SCB-140
40.0	52.0	7.0	10.0	SCB-040	145.0	165.0	10.0	14.0	SCB-145
45.0	57.0	7.0	10.0	SCB-045	150.0	170.0	10.0	14.0	SCB-150
50.0	62.0	7.0	10.0	SCB-050	160.0	180.0	10.0	14.0	SCB-160
55.0	69.0	8.0	11.0	SCB-055	170.0	190.0	10.0	14.0	SCB-170
56.0	70.0	8.0	11.0	SCB-056	175.0	195.0	10.0	14.0	SCB-175
60.0	74.0	8.0	11.0	SCB-060	180.0	200.0	10.0	14.0	SCB-180
63.0	77.0	8.0	11.0	SCB-063	190.0	215.0	12.0	16.0	SCB-190A
65.0	79.0	8.0	11.0	SCB-065	200.0	225.0	12.0	16.0	SCB-200A
70.0	84.0	8.0	11.0	SCB-070	250.0	274.0	12.0	16.0	SCB-250