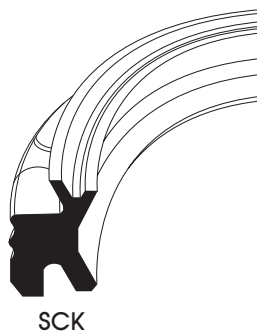


Wipers

SCK

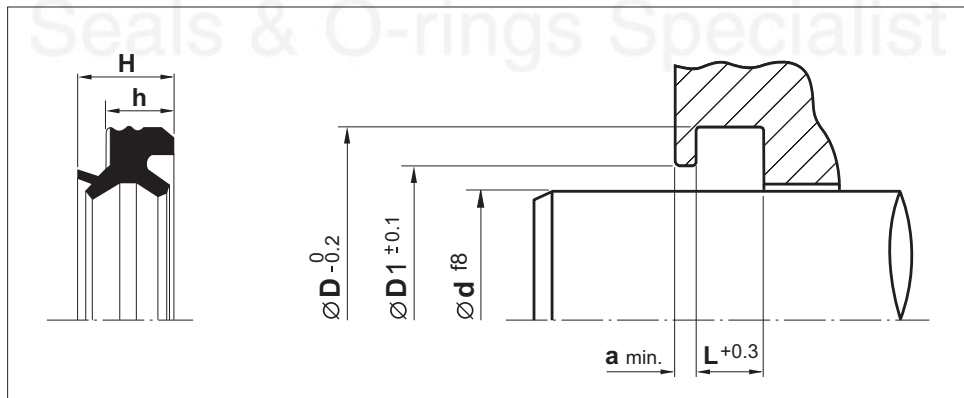
(Metric Size)



Material	Temp. (°c)	Speed (m/s)
NBR	-45 +100	1

- Large cross section type.
- Prevent penetration of water from the outer circuit of the groove.
- Suitable for both indoor and outdoor.

Installation Recommendation



Surface roughness	Ra	Rt
-------------------	----	----

Sliding surface	≤ 0.3 µm	≤ 4 µm
Surface of housing	≤ 1.8 µm	≤ 10 µm
Sides of housing	≤ 3.0 µm	≤ 16 µm

Wiper - SCK

(Metric Size)

Rod Dia.	Groove Dia.	Groove Width	Bore Dia.	Step Width	Seal Step Height	Seal Height	Reference (For order processing)
d	D	L	D1	a	h	H	
18.0	30.0	6.0	24.0	3.0	5.8	7.7	SCK-018
20.0	32.0	6.0	26.0	3.0	5.8	7.7	SCK-020
25.0	37.0	6.0	31.0	3.0	5.8	7.7	SCK-025
28.0	40.0	6.0	34.0	3.0	5.8	7.7	SCK-028
30.0	42.0	6.0	36.0	3.0	5.8	7.7	SCK-030
35.0	47.0	7.0	41.0	3.0	6.8	8.7	SCK-035
40.0	52.0	7.0	46.0	3.0	6.8	8.7	SCK-040
45.0	57.0	7.0	51.0	3.0	6.8	8.7	SCK-045
50.0	62.0	7.0	56.0	3.0	6.8	8.7	SCK-050
55.0	69.0	8.0	62.0	3.0	7.7	10.0	SCK-055
60.0	74.0	8.0	67.0	3.0	7.7	10.0	SCK-060
65.0	79.0	8.0	72.0	3.0	7.7	10.0	SCK-065
70.0	84.0	8.0	77.0	3.0	7.7	10.0	SCK-070
75.0	89.0	8.0	82.0	3.0	7.7	10.0	SCK-075
80.0	94.0	8.0	87.0	3.0	7.7	10.0	SCK-080
85.0	99.0	8.0	92.0	3.0	7.7	10.0	SCK-085
90.0	104.0	8.0	97.0	3.0	7.7	10.0	SCK-090
95.0	109.0	8.0	102.0	3.0	7.7	10.0	SCK-095
100.0	114.0	8.0	107.0	3.0	7.7	10.0	SCK-100
105.0	121.0	9.0	113.0	4.0	8.7	12.0	SCK-105
110.0	126.0	9.0	118.0	4.0	8.7	12.0	SCK-110
115.0	131.0	9.0	123.0	4.0	8.7	12.0	SCK-115
120.0	136.0	9.0	128.0	4.0	8.7	12.0	SCK-120
125.0	141.0	9.0	133.0	4.0	8.7	12.0	SCK-125
130.0	146.0	9.0	138.0	4.0	8.7	12.0	SCK-130
132.0	148.0	9.0	140.0	4.0	8.7	12.0	SCK-132
140.0	160.0	10.0	150.0	5.0	9.7	14.0	SCK-140
160.0	180.0	10.0	170.0	5.0	9.7	14.0	SCK-160