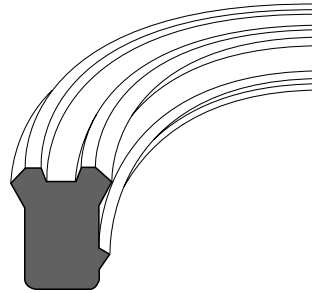


Rod Seals

SD, TS/L, TTS/L

(Metric Size)

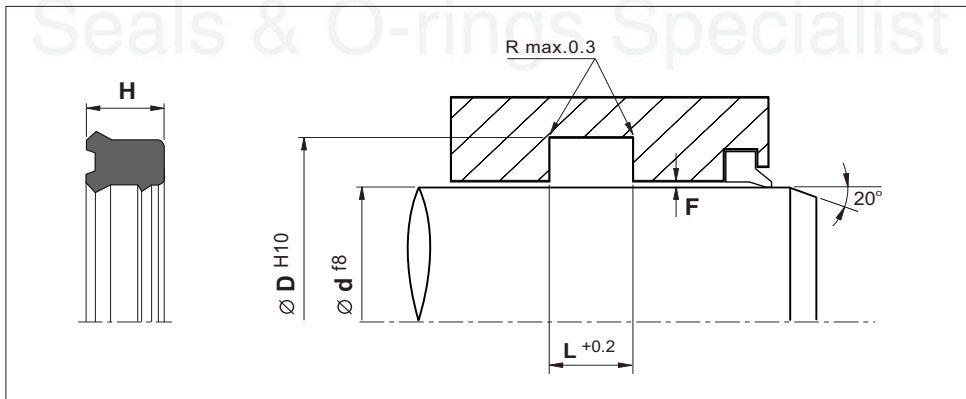


SD, TS/L, TTS/L

Material	Pressure (Bar)	Temp. (°c)	Speed (m/s)
PU	400	-40 +95	0.6

- Good sealing effect at high and low pressures.
- Good abrasion resistance, wear resistant.
- Unaffected by sudden loads.
- Suitable for small grooves.

Installation Recommendation



Surface roughness	Ra	Rt	Pressure	Clearance F Max	
			Bar	d <60 mm	d > 60 mm
Sliding surface	≤ 0.3 μm	≤ 4 μm	50	0.40	0.50
Surface of housing	≤ 1.8 μm	≤ 10 μm	100	0.30	0.40
Sides of housing	≤ 3.0 μm	≤ 16 μm	200	0.15	0.20
			300	0.15	0.20
			400	0.10	0.15

Rod U-Cup

(Metric Size)

Rod Dia.	Groove Dia.	Seal Height	Groove Width	Reference (For order processing)	Reference (For order processing)
d	D	H	L		
6.0	14.0	5.8	6.3	UC 006-014-05.8 SD	UC 006-014-05.8 TS/L
6.3	14.3	6.0	7.0	UC 006.3-014.3-06 SD	UC 006.3-014.3-06 TS/L
8.0	16.0	5.8	6.3	UC 008-016-05.8 SD	UC 008-016-05.8 TS/L
10.0	16.0	4.8	5.4	UC 010-016-04.8 SD	UC 010-016-04.8 TS/L
10.0	18.0	5.8	6.3	UC 010-018-05.8 SD	UC 010-018-05.8 TS/L
12.0	19.0	5.7	6.3	UC 012-019-05.7 SD	UC 012-019-05.7 TS/L
12.0	20.0	5.8	6.3	UC 012-020-05.8 SD	UC 012-020-05.8 TS/L
12.0	23.0	6.5	7.5	UC 012-023-06.5 SD	UC 012-023-06.5 TS/L
14.0	20.0	4.8	5.3	UC 014-020-04.8 SD	UC 014-020-04.8 TS/L
14.0	22.0	5.8	6.3	UC 014-022-05.8 SD	UC 014-022-05.8 TS/L
15.0	21.5	4.2	5.0	UC 015-021.5-04.2 SD	UC 015-021.5-04.2 TS/L
15.4	25.5	6.5	7.4	UC 015.4-025.5-06.5 SD	UC 015.4-025.5-06.5 TS/L
16.0	24.0	5.8	6.3	UC 016-024-05.8 SD	UC 016-024-05.8 TS/L
18.0	26.0	5.8	6.3	UC 018-026-05.8 SD	UC 018-026-05.8 TS/L
18.0	26.0	6.0	7.0	UC 018-026-06 SD	UC 018-026-06 TS/L
18.0	26.0	8.0	9.0	UC 018-026-08 SD	UC 018-026-08 TS/L
18.0	28.0	5.8	6.3	UC 018-028-05.8 SD	UC 018-028-05.8 TS/L
19.5	27.5	8.0	9.0	UC 019.5-027.5-08 SD	UC 019.5-027.5-08 TS/L
20.0	26.0	5.2	6.0	UC 020-026-05.2 SD	UC 020-026-05.2 TS/L
20.0	28.0	5.8	6.3	UC 020-028-05.8 SD	UC 020-028-05.8 TS/L
20.0	28.0	7.0	8.0		UC 020-028-07 TTS/L
20.0	30.0	4.5	5.0	UC 020-030-04.5 SD	UC 020-030-04.5 TS/L
20.0	30.0	7.0	8.0	UC 020-030-07 SD	UC 020-030-07 TS/L
20.0	30.0	8.0	9.0		UC 020-030-08 TTS/L
22.0	30.0	5.8	6.3	UC 022-030-05.8 SD	UC 022-030-05.8 TS/L
22.0	30.0	7.0	8.0		UC 022-030-07 TTS/L
22.0	32.0	8.0	9.0		UC 022-032-08 TTS/L
25.0	33.0	5.8	6.3	UC 025-033-05.8 SD	UC 025-033-05.8 TS/L
25.0	33.0	6.5	7.5	UC 025-033-06.5 SD	UC 025-033-06.5 TS/L
25.0	33.0	7.0	8.0	UC 025-033-07 SD	UC 025-033-07 TS/L
25.0	35.0	5.8	6.3	UC 025-035-05.8 SD	UC 025-035-05.8 TS/L
25.0	35.0	7.0	8.0	UC 025-035-07 SD	UC 025-035-07 TS/L
25.0	35.0	8.0	9.0	UC 025-035-08 SD	UC 025-035-08 TS/L
28.0	34.2	5.2	6.0	UC 028-034.2-05.2 SD	UC 028-034.2-05.2 TS/L
28.0	36.0	5.8	6.3	UC 028-036-05.8 SD	UC 028-036-05.8 TS/L
28.0	38.0	5.8	6.3	UC 028-038-05.8 SD	UC 028-038-05.8 TS/L
28.0	38.0	7.0	8.0	UC 028-038-07 SD	UC 028-038-07 TS/L
30.0	38.0	5.8	6.3	UC 030-038-05.8 SD	UC 030-038-05.8 TS/L
30.0	38.0	7.0	8.0	UC 030-038-07 SD	UC 030-038-07 TS/L
30.0	40.0	6.5	7.5	UC 030-040-06.5 SD	UC 030-040-06.5 TS/L

Rod U-Cup

(Metric Size)

Rod Dia.	Groove Dia.	Seal Height	Groove Width	Reference (For order processing)	Reference (For order processing)
d	D	H	L		
30.0	40.0	7.0	8.0		UC 030-040-07 TTS/L
30.0	40.0	10.0	11.0	UC 030-040-10 SD	UC 030-040-10 TS/L
32.0	40.0	5.8	6.3	UC 032-040-05.8 SD	UC 032-040-05.8 TS/L
32.0	40.0	6.7	7.7	UC 032-040-06.7 SD	UC 032-040-06.7 TS/L
32.0	40.0	8.0	9.0	UC 032-040-08 SD	UC 032-040-08 TS/L
32.0	41.5	7.8	8.9	UC 032-041.5-07.8 SD	UC 032-041.5-07.8 TS/L
32.0	42.0	7.0	8.0		UC 032-042-07 TTS/L
32.0	42.0	8.0	9.0		UC 032-042-08 TTS/L
32.0	42.0	10.0	11.0		UC 032-042-10 TTS/L
32.0	42.5	8.0	9.0	UC 032-042.5-08 SD	UC 032-042.5-08 TS/L
35.0	43.0	5.8	6.3	UC 035-043-05.8 SD	UC 035-043-05.8 TS/L
35.0	43.0	6.0	7.0	UC 035-043-06 SD	UC 035-043-06 TS/L
35.0	43.0	8.0	9.0		UC 035-043-08 TTS/L
35.0	45.0	7.0	8.0		UC 035-045-07 TTS/L
35.0	45.0	10.0	11.0	UC 035-045-10 SD	UC 035-045-10 TS/L
35.0	45.0	12.5	13.5	UC 035-045-12.5 SD	UC 035-045-12.5 TS/L
35.0	50.0	10.0	11.0	UC 035-050-10 SD	UC 035-050-10 TS/L
36.0	44.0	5.8	6.3	UC 036-044-05.8 SD	UC 036-044-05.8 TS/L
36.0	44.0	6.0	7.0		UC 036-044-06 TTS/L
38.0	50.0	8.5	9.5	UC 038-050-08.5 SD	UC 038-050-08.5 TS/L
40.0	48.0	5.8	6.3	UC 040-048-05.8 SD	UC 040-048-05.8 TS/L
40.0	48.0	8.0	9.0	UC 040-048-08 SD	UC 040-048-08 TS/L
40.0	49.5	9.5	10.5	UC 040-049.5-09.5 SD	UC 040-049.5-09.5 TS/L
40.0	50.0	7.0	8.0	UC 040-050-07 SD	UC 040-050-07 TS/L
40.0	50.0	10.0	11.0	UC 040-050-10 SD	UC 040-050-10 TS/L
40.0	55.0	10.0	11.0	UC 040-055-10 SD	UC 040-055-10 TS/L
40.0	60.0	10.0	11.0	UC 040-060-10 SD	UC 040-060-10 TS/L
42.0	52.0	8.0	9.0	UC 042-052-08 SD	UC 042-052-08 TS/L
45.0	53.0	5.8	6.3	UC 045-053-05.8 SD	UC 045-053-05.8 TS/L
45.0	53.0	8.0	9.0	UC 045-053-08 SD	UC 045-053-08 TS/L
45.0	55.0	7.0	8.0	UC 045-055-07 SD	UC 045-055-07 TS/L
45.0	55.0	10.0	11.0	UC 045-055-10 SD	UC 045-055-10 TS/L
45.0	57.7	9.5	10.5	UC 045-057.7-09.5 SD	UC 045-057.7-09.5 TS/L
48.0	60.0	6.0	7.0	UC 048-060-06 SD	UC 048-060-06 TS/L
50.0	58.0	8.0	9.0		UC 050-058-08 TTS/L
50.0	60.0	7.0	8.0	UC 050-060-07 SD	UC 050-060-07 TS/L
50.0	60.0	9.0	10.0	UC 050-060-09 SD	UC 050-060-09 TS/L
50.0	60.0	10.0	11.0	UC 050-060-10 SD	UC 050-060-10 TS/L
50.0	62.7	9.5	10.5	UC 050-062.7-09.5 SD	UC 050-062.7-09.5 TS/L
50.0	65.0	10.0	11.0	UC 050-065-10 SD	UC 050-065-10 TS/L

Rod U-Cup

(Metric Size)

Rod Dia.	Groove Dia.	Seal Height	Groove Width	Reference (For order processing)	Reference (For order processing)
d	D	H	L		
50.0	70.0	13.5	14.5	UC 050-070-13.5 SD	UC 050-070-13.5 TS/L
55.0	63.0	8.0	9.0	UC 055-063-08 SD	UC 055-063-08 TS/L
55.0	65.0	10.0	11.0	UC 055-065-10 SD	UC 055-065-10 TS/L
55.0	65.0	12.0	13.0	UC 055-065-12 SD	UC 055-065-12 TS/L
56.0	71.0	11.5	12.5	UC 056-071-11.5 SD	UC 056-071-11.5 TS/L
57.1	66.7	9.5	10.5	UC 057.1-066.7-09.5 SD	UC 057.1-066.7-09.5 TS/L
57.1	69.8	9.5	10.5	UC 057.1-069.8-09.5 SD	UC 057.1-069.8-09.5 TS/L
60.0	68.0	8.0	9.0	UC 060-068-08 SD	UC 060-068-08 TS/L
60.0	68.0	11.5	12.5	UC 060-068-11.5 SD	UC 060-068-11.5 TS/L
60.0	68.0	13.0	14.0		UC 060-068-13 TTS/L
60.0	70.0	10.0	11.0		UC 060-070-10 TTS/L
60.0	70.0	11.5	12.5	UC 060-070-11.5 SD	UC 060-070-11.5 TS/L
60.0	70.0	12.0	13.0		UC 060-070-12 TTS/L
60.0	71.0	8.0	9.0	UC 060-071-08 SD	UC 060-071-08 TS/L
60.0	72.0	9.0	10.0	UC 060-072-09 SD	UC 060-072-09 TS/L
60.0	75.0	10.0	11.0	UC 060-075-10 SD	UC 060-075-10 TS/L
61.0	69.0	8.0	9.0	UC 061-069-08 SD	UC 061-069-08 TS/L
63.0	75.0	10.0	11.0		UC 063-075-10 TTS/L
63.5	76.2	9.5	10.5	UC 063.5-076.2-09.5 SD	UC 063.5-076.2-09.5 TS/L
65.0	75.0	12.0	13.0		UC 065-075-12 TTS/L
65.0	75.0	12.5	13.5	UC 065-075-12.5 SD	UC 065-075-12.5 TS/L
65.0	77.7	9.5	10.5	UC 065-077.7-09.5 SD	UC 065-077.7-09.5 TS/L
65.0	79.2	11.5	12.5	UC 065-079.2-11.5 SD	UC 065-079.2-11.5 TS/L
66.7	76.2	9.5	10.5	UC 066.7-076.2-09.5 SD	UC 066.7-076.2-09.5 TS/L
69.8	82.5	9.5	10.5	UC 069.8-082.5-09.5 SD	UC 069.8-082.5-09.5 TS/L
70.0	80.0	12.0	13.0		UC 070-080-12 TTS/L
70.0	85.0	11.5	12.5	UC 070-085-11.5 SD	UC 070-085-11.5 TS/L
73.0	82.4	7.0	8.0	UC 073-082.4-07 SD	UC 073-082.4-07 TS/L
75.0	83.0	8.0	9.0	UC 075-083-08 SD	UC 075-083-08 TS/L
75.0	85.0	7.0	8.0	UC 075-085-07 SD	UC 075-085-07 TS/L
75.0	85.0	12.0	13.0	UC 075-085-12 SD	UC 075-085-12 TS/L
75.0	90.0	10.5	11.5	UC 075-090-10.5 SD	UC 075-090-10.5 TS/L
76.2	88.9	9.5	10.5	UC 076.2-088.9-09.5 SD	UC 076.2-088.9-09.5 TS/L
76.2	91.2	12.0	13.0	UC 076.2-091.2-12 SD	UC 076.2-091.2-12 TS/L
79.4	88.9	9.5	10.5	UC 079.4-088.9-09.5 SD	UC 079.4-088.9-09.5 TS/L
80.0	88.0	11.5	12.5	UC 080-088-11.5 SD	UC 080-088-11.5 TS/L
80.0	90.0	12.0	13.0	UC 080-090-12 SD	UC 080-090-12 TS/L
80.0	92.0	9.0	9.6	UC 080-092-09 SD	UC 080-092-09 TS/L
80.0	95.0	11.0	12.0	UC 080-095-11 SD	UC 080-095-11 TS/L
80.0	95.0	11.5	12.5	UC 080-095-11.5 SD	UC 080-095-11.5 TS/L

Rod U-Cup

(Metric Size)

Rod Dia.	Groove Dia.	Seal Height	Groove Width	Reference (For order processing)	Reference (For order processing)
d	D	H	L		
80.0	96.0	9.5	10.5	UC 080-096-09.5 SD	UC 080-096-09.5 TS/L
82.5	97.5	12.0	13.0	UC 082.5-097.5-12 SD	UC 082.5-097.5-12 TS/L
85.0	93.0	11.5	12.5	UC 085-093-11.5 SD	UC 085-093-11.5 TS/L
85.0	95.0	12.0	13.0	UC 085-095-12 SD	UC 085-095-12 TS/L
86.0	101.0	12.0	13.0	UC 086-101-12 SD	UC 086-101-12 TS/L
88.0	96.0	8.0	9.0	UC 088-096-08 SD	UC 088-096-08 TS/L
88.9	101.6	9.5	10.5	UC 088.9-101.6-09.5 SD	UC 088.9-101.6-09.5 TS/L
90.0	102.0	9.0	10.0	UC 090-102-09 SD	UC 090-102-09 TS/L
90.0	105.0	11.5	12.5	UC 090-105-11.5 SD	UC 090-105-11.5 TS/L
90.0	110.0	14.0	15.0	UC 090-110-14 SD	UC 090-110-14 TS/L
91.0	99.0	8.0	9.0	UC 091-099-08 SD	UC 091-099-08 TS/L
100.0	108.0	11.5	12.5	UC 100-108-11.5 SD	UC 100-108-11.5 TS/L
100.0	115.0	12.0	13.0	UC 100-115-12 SD	UC 100-115-12 TS/L
108.0	116.0	8.0	9.0	UC 108-116-08 SD	UC 108-116-08 TS/L
110.0	125.0	11.3	12.0	UC 110-125-11.3 SD	UC 110-125-11.3 TS/L
112.0	127.0	12.0	13.0	UC 112-127-12 SD	UC 112-127-12 TS/L
120.0	128.0	8.0	9.0		UC 120-128-08 TS/L
120.0	128.0	11.5	12.5	UC 120-128-11.5 SD	UC 120-128-11.5 TS/L
126.0	134.0	8.0	9.0	UC 126-134-08 SD	UC 126-134-08 TS/L
130.0	145.0	15.0	16.0	UC 130-145-15 SD	UC 130-145-15 TS/L
130.0	155.0	15.0	16.0	UC 130-155-15 SD	UC 130-155-15 TS/L
135.0	150.0	11.5	12.5	UC 135-150-11.5 SD	UC 135-150-11.5 TS/L
137.0	152.0	12.0	13.0	UC 137-152-12 SD	UC 137-152-12 TS/L
140.0	150.0	11.5	12.5	UC 140-150-11.5 SD	UC 140-150-11.5 TS/L
146.0	156.0	10.0	11.0	UC 146-156-10 SD	UC 146-156-10 TS/L
163.0	178.0	12.0	13.0	UC 163-178-12 SD	UC 163-178-12 TS/L
170.0	180.0	10.0	11.0	UC 170-180-10 SD	UC 170-180-10 TS/L
188.0	203.0	12.0	13.0	UC 188-203-12 SD	UC 188-203-12 TS/L
197.0	209.0	12.0	13.0	UC 197-209-12 SD	UC 197-209-12 TS/L
218.0	237.0	16.0	17.0	UC 218-237-16 SD	UC 218-237-16 TS/L
228.0	240.0	12.0	13.0	UC 228-240-12 SD	UC 228-240-12 TS/L
300.0	325.0	24.0	25.0	UC 300-325-24 SD	UC 300-325-24 TS/L