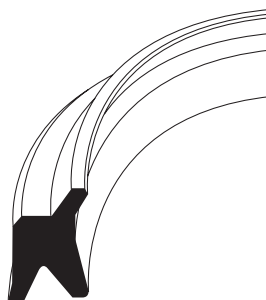


Wipers

SDR-F

(Metric Size)

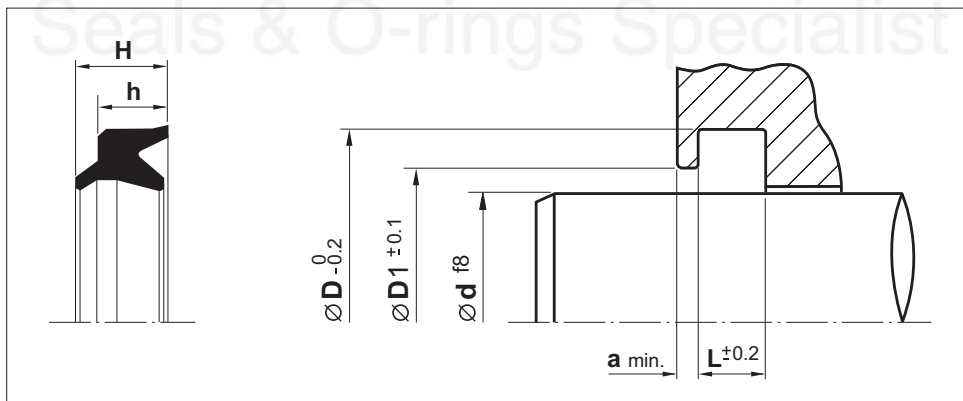


SDR-F

Material	Temp. (°C)	Speed (m/s)
FPM	-5 +150	0.5

- Easy installation.
- High wear resistance.
- Popular dust seal.
- Used for cylinder placed indoor.

Installation Recommendation



Surface roughness	Ra	Rt
-------------------	----	----

Sliding surface	≤ 0.3 μm	≤ 4 μm
Surface of housing	≤ 1.8 μm	≤ 10 μm
Sides of housing	≤ 3.0 μm	≤ 16 μm

Wiper - SDR

(Metric Size)

Rod Dia.	Groove Dia.	Groove Width.	Bore Dia.	Step Width.	Seal Step Height	Seal Height	Reference NBR (For order processing)	Reference FPM (For ordering)
d	D	L	D1	a	h	H		
12.0	20.0	5.0	16.3	2.0	4.5	6.0	SDR-012-020-04.5/6	
12.5	20.5	5.0	16.8	2.0	4.5	6.0	SDR-012.5	
14.0	22.0	5.0	18.3	2.0	4.5	6.0	SDR-014	
16.0	24.0	5.0	20.3	2.0	4.5	6.0	SDR-016	SDR-016F
18.0	26.0	5.0	22.3	2.0	4.5	6.0	SDR-018	SDR-018F
19.0	27.0	5.0	23.3	2.0	4.5	6.0	SDR-019-027-04.5/6	
20.0	28.0	5.0	24.3	2.0	4.5	6.0	SDR-020	SDR-020F
22.0	30.0	5.0	26.3	2.0	4.5	6.0	SDR-022	SDR-022F
22.4	30.4	5.0	26.7	2.0	4.5	6.0	SDR-022.4	SDR-022.4F
25.0	33.0	5.0	29.3	2.0	4.5	6.0	SDR-025	SDR-025F
25.4	33.4	5.0	29.7	2.0	4.5	6.0	SDR-025.4-033.4-04.5/6	
26.0	34.0	5.0	30.3	2.0	4.5	6.0	SDR-026-034-04.5/6	
28.0	36.0	5.0	32.3	2.0	4.5	6.0	SDR-028	SDR-028F
30.0	38.0	6.0	34.0	2.0	5.0	6.5	SDR-030	SDR-030F
31.5	39.5	6.0	35.5	2.0	5.0	6.5	SDR-031.5	SDR-031.5F
32.0	40.0	6.0	36.0	2.0	5.0	6.5	SDR-032	
35.0	43.0	6.0	39.0	2.0	5.0	6.5	SDR-035	SDR-035F
35.5	43.5	6.0	39.5	2.0	5.0	6.5	SDR-035.5	SDR-035.5F
36.0	44.0	6.0	40.0	2.0	5.0	6.5	SDR-036	SDR-036F
38.0	46.0	6.0	42.0	2.0	5.0	6.5	SDR-038-046-05/6.5	
40.0	48.0	6.0	44.0	2.0	5.0	6.5	SDR-040	SDR-040F
45.0	53.0	6.0	49.0	2.0	5.0	6.5	SDR-045	SDR-045F
50.0	58.0	6.0	54.0	2.0	5.0	6.5	SDR-050	SDR-050F
53.0	61.0	6.0	57.0	2.0	5.0	6.5	SDR-053	SDR-053F
55.0	63.0	6.0	59.0	2.0	5.0	6.5	SDR-055	SDR-055F
56.0	64.0	6.0	60.0	2.0	5.0	6.5	SDR-056	SDR-056F
60.0	68.0	6.0	64.0	2.0	5.0	6.5	SDR-060	SDR-060F
63.0	71.0	6.0	67.0	2.0	5.0	6.5	SDR-063	SDR-063F
65.0	73.0	6.0	69.0	2.0	5.0	6.5	SDR-065	SDR-065F
67.0	75.0	6.0	71.0	2.0	5.0	6.5	SDR-067	SDR-067F
70.0	80.0	7.0	75.0	3.0	6.0	8.0	SDR-070	SDR-070F
71.0	81.0	7.0	76.0	3.0	6.0	8.0	SDR-071	SDR-071F
75.0	85.0	7.0	80.0	3.0	6.0	8.0	SDR-075	SDR-075F
80.0	90.0	7.0	85.0	3.0	6.0	8.0	SDR-080	SDR-080F
85.0	95.0	7.0	90.0	3.0	6.0	8.0	SDR-085	SDR-085F
90.0	100.0	7.0	95.0	3.0	6.0	8.0	SDR-090	SDR-090F
95.0	105.0	7.0	100.0	3.0	6.0	8.0	SDR-095	SDR-095F
100.0	110.0	7.0	105.0	3.0	6.0	8.0	SDR-100	SDR-100F
105.0	115.0	7.0	110.0	3.0	6.0	8.0	SDR-105-115-06/8	
106.0	116.0	7.0	111.0	3.0	6.0	8.0	SDR-106	SDR-106F

(Metric Size)

Rod Dia.	Groove Dia.	Groove Width.	Bore Dia.	Step Width.	Seal Step Height	Seal Height	Reference NBR (For order processing)	Reference FPM (For ordering)
d	D	L	D1	a	h	H		
110.0	120.0	7.0	115.0	3.0	6.0	8.0	SDR-110-120-06/8	
112.0	122.0	7.0	117.0	3.0	6.0	8.0	SDR-112	SDR-112F
115.0	125.0	7.0	120.0	3.0	6.0	8.0	SDR-115-125-06/8	
118.0	128.0	7.0	123.0	3.0	6.0	8.0	SDR-118	SDR-118F
120.0	133.0	8.0	127.0	3.0	7.0	9.5	SDR-120-133-07/9.5	
125.0	138.0	8.0	132.0	3.0	7.0	9.5	SDR-125	SDR-125F
127.0	140.0	8.0	134.0	3.0	7.0	9.5	SDR-127-140-07/9.5	
132.0	145.0	8.0	139.0	3.0	7.0	9.5	SDR-132	SDR-132F
140.0	153.0	8.0	147.0	3.0	7.0	9.5	SDR-140	SDR-140F
145.0	158.0	8.0	152.0	3.0	7.0	9.5	SDR-145	SDR-145F
150.0	163.0	8.0	157.0	3.0	7.0	9.5	SDR-150	SDR-150F
153.0	166.0	8.0	160.0	3.0	7.0	9.5	SDR-153-166-07/9.5	
155.0	168.0	8.0	162.0	3.0	7.0	9.5	SDR-155-168-07/9.5	
160.0	173.0	8.0	167.0	3.0	7.0	9.5	SDR-160	SDR-160F
160.0	174.0	8.0	167.0	3.0	7.0	9.5	SDR-160A	SDR-160AF
165.0	178.0	8.0	172.0	3.0	7.0	9.5	SDR-165	SDR-165F
170.0	183.0	8.0	177.0	3.0	7.0	9.5	SDR-170-183-07/9.5	
175.0	188.0	8.0	182.0	3.0	7.0	9.5	SDR-175	SDR-175F
180.0	193.0	8.0	187.0	3.0	7.0	9.5	SDR-180	SDR-180F
180.0	194.0	8.0	187.0	3.0	7.0	9.5	SDR-180A	SDR-180AF
190.0	203.0	8.0	197.0	3.0	7.0	9.5	SDR-190-203-07/9.5	
195.0	207.0	8.0	201.5	3.0	7.0	9.5	SDR-195-207-07/9.5	
200.0	213.0	8.0	207.0	3.0	7.0	9.5	SDR-200	SDR-200 F
205.0	218.0	8.0	212.0	3.0	7.0	9.5	SDR-205-218-07/9.5	
210.0	223.0	8.0	217.0	3.0	7.0	9.5	SDR-210-223-07/9.5	
215.0	228.0	8.0	222.0	3.0	7.0	9.5	SDR-215-228-07/9.5	
224.0	237.0	8.0	231.0	3.0	7.0	9.5	SDR-224	SDR-224F
225.0	238.0	8.0	232.0	3.0	7.0	9.5	SDR-225-238-07/9.5	
230.0	243.0	8.0	237.0	3.0	7.0	9.5	SDR-230-243-07/9.5	
250.0	266.0	11.0	258.0	4.0	10.0	13.0	SDR-250	SDR-250F
280.0	296.0	11.0	288.0	4.0	10.0	13.0	SDR-280	SDR-280F
285.0	301.0	11.0	293.0	4.0	10.0	13.0	SDR-285-301-10/13	
290.0	306.0	11.0	298.0	4.0	10.0	13.0	SDR-290-306-10/13	
295.0	311.0	11.0	303.0	4.0	10.0	13.0	SDR-295-311-10/13	
300.0	316.0	11.0	308.0	4.0	10.0	13.0	SDR-300-316-10/13	
315.0	331.0	11.0	323.0	4.0	10.0	13.0	SDR-315	
320.0	336.0	11.0	328.0	4.0	10.0	13.0	SDR-320-336-10/13	
335.0	351.0	11.0	343.0	4.0	10.0	13.0	SDR-335-351-10/13	
355.0	371.0	11.0	363.0	4.0	10.0	13.0	SDR-355	
360.0	380.0	11.0	368.0	4.0	10.0	13.0	SDR-360-380-10/13	

Wiper - SDR

(Metric Size)

Rod Dia.	Groove Dia.	Groove Width.	Bore Dia.	Step Width.	Seal Step Height	Seal Height	Reference NBR (For order processing)	Reference FPM (For ordering)
d	D	L	D1	a	h	H		
400.0	416.0	11.0	408.0	4.0	10.0	13.0	SDR-400-416-10/13	
415.0	435.0	11.0	423.0	4.0	10.0	13.0	SDR-415-435-10/13	
420.0	436.0	11.0	428.0	4.0	10.0	13.0	SDR-420-436-10/13	
450.0	466.0	11.0	458.0	4.0	10.0	13.0	SDR-450	
480.0	496.0	11.0	488.0	4.0	10.0	13.0	SDR-480-496-10/13	
500.0	520.0	12.5	510.0	5.0	11.5	15.5	SDR-500-520-11.5/15.5	
505.0	521.0	11.0	513.0	4.0	10.0	13.0	SDR-505-521-10/13	
508.0	528.0	13.0	518.0	5.0	12.0	16.0	SDR-508-528-12/16	
600.0	616.0	11.0	608.0	4.0	10.0	13.0	SDR-600-616-10/13	



Seals & O-rings Specialist