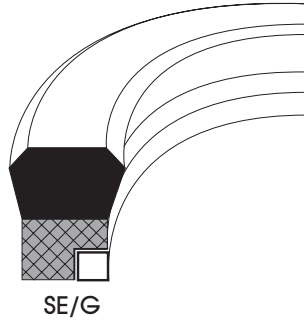


Rod Seals

SE/G

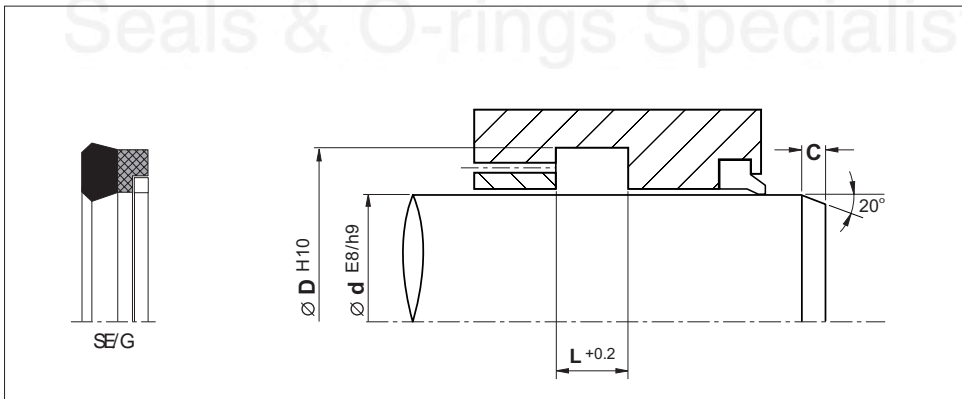
(Metric Size)



Type	Material	Pressure (Bar)	Temp. (°C)	Speed (m/s)
SE/G	NBR+Fabric+POM	450	-30 +120	0.5

- Small cross section.
- Large size range.
- No hydrolyses problems.
- Wide temperature range.

Installation Recommendation



Surface roughness	Ra	Rt	Chamfers	
Sliding surface	≤ 0.3 μm	≤ 4 μm	d	C
Surface of housing	≤ 1.8 μm	≤ 10 μm	< 60	4.0
Sides of housing	≤ 3.0 μm	≤ 16 μm	60-120	5.0
			120-180	6.5
			180-250	7.5

Rod Packing

(Metric Size)

Rod Dia.	Groove Dia.	Groove Width	Reference TGO	Reference SE	Reference SE/G
d	D	L			
5.0	12.0	6.4	TGO 2501		
6.0	13.0	6.4	TGO 2502		
8.0	15.0	6.4	TGO 2503		
10.0	17.0	6.4	TGO 2504	TSE 067-039/A	
10.0	17.0	7.0		TSD 067-039/6.5	
10.0	18.0	6.3	TGO 2505	TSE 070-039/M	
12.0	19.0	6.4		TSE 074-047/A	
12.0	19.0	7.0		TSD 074-047/6.5	
12.0	20.0	6.3		TSC 078-047	
12.0	20.0	7.0		TSD 078-047/6.5	
12.0	20.0	7.5	TGO 2506	TSD 078-047/7	TSD 090-047/7/G
12.0	23.0	7.5			
12.0	25.0	10.0		TSD 098-047/9.5	
14.0	22.0	6.3		TSE 086-055/A	
14.0	22.0	6.4			
14.0	22.0	7.0	TGO 2507	TSE 086-055	
14.0	24.0	7.0		TSD 094-055/6.5	
15.0	23.0	6.4			
15.0	23.0	6.5		TSE 090-059	
15.0	23.0	7.0		TSD 090-059/6.5	
15.0	25.0	8.0	TGO 2508	TSD 098-059/7.5	TSC 106-059/G TSD 086-062/5/G
15.0	27.0	7.0		TSC 106-059	
16.0	22.0	5.5			
16.0	24.0	6.3		TSE 094-062/A	
16.0	24.0	6.4			
16.0	24.0	7.0		TSD 094-062/6.5	TSD 094-062/6.5/G
16.0	24.0	7.5		TSC 094-062/1	
16.0	26.0	8.0		TSC 102-062/1	
16.0	28.0	7.5			
16.0	32.0	8.5		TSD 125-062/8	
18.0	24.0	5.5		TSD 094-070/5	TSD 098-070/5.5/G
18.0	25.0	6.0			
18.0	25.0	7.0		TSC 098-070	
18.0	25.0	7.5		TSD 098-070/7	
18.0	26.0	6.3		TSE 102-070/A	
18.0	26.0	6.4	TGO 2509		TSE 110-070/G TSD 110-070/6.5/G TSD 118-070/7/G
18.0	26.0	7.0		TSE 102-070	
18.0	28.0	6.3		TSE 110-070	
18.0	28.0	7.0			
18.0	30.0	7.5			

* For order processing, the computer code will be e.g. RP 005-012-06.4 TGO, RP 010-017-07 SE, RP 012-023-07.5 SE/G

Rod Packing

(Metric Size)

Rod Dia.	Groove Dia.	Groove Width	Reference TGO	Reference SE	Reference SE/G
d	D	L			
19.0	29.0	9.0	TGO 2510	TSE 114-074	TSE 106-078/G TSE 110-078/A/G
20.0	26.0	5.5		TSC 102-078	
20.0	27.0	6.4		TSE 106-078	
20.0	28.0	6.3		TSE 110-078/A	
20.0	28.0	6.4			
20.0	28.0	7.0	TGO 2511	TSE 110-078	TSE 110-078/G
20.0	30.0	8.0		TSC 118-078/1	TSE 118-078/G
20.0	30.0	8.5		TSE 118-078	
20.0	35.0	11.5		TSD 137-078/11	
20.0	32.0	9.5			
20.0	32.0	10.5	TGO 2511	TSD 125-078/10	TSD 125-078/10/G
22.0	30.0	6.3		TSE 118-086/A	TSE 118-086/G
22.0	30.0	6.4		TSE 118-086	
22.0	30.0	7.0		TSD 125-086/6	
22.0	32.0	6.5			
22.0	34.0	9.5	TSE 133-086	TSE 133-086/G	
22.0	35.0	10.0	TSE 137-086	TSE 137-086/G	
24.0	32.0	7.5	TSD 125-094/7	TSE 133-094	
24.0	34.0	6.5	TSE 133-094		
24.0	36.0	8.3	TSD 141-094/7.8		
25.0	32.0	6.5	TGO 2512	TSD 125-098/6	TSE 129-098/G TSC 129-098/G TSC 129-098/2/G
25.0	33.0	6.3		TSE 129-098	
25.0	33.0	6.4			
25.0	33.0	7.0			
25.0	33.0	7.5			
25.0	35.0	8.0	TGO 2513	TSC 137-098	TSC 137-098/G
25.0	35.0	8.5		TSE 137-098	TSD 137-098/8/G
25.0	35.0	9.0			TSE 137-098/G
25.0	35.0	10.5			TSD 137-098/10
25.0	37.0	10.5			
25.0	38.0	10.0	TGO 2513	TSE 149-098	TSE 149-098/G
25.0	40.0	12.0		TSD 157-098/11.5	TSE 149-110/G TSC 149-110/G TSE 157-110/G TSE 161-110/G
25.0	44.0	12.5		TSE 173-098	
26.0	40.0	10.0		TSE 157-102/1	
27.0	35.0	6.5		TSD 137-106/6	
28.0	36.0	6.4	TGO 2513	TSE 141-110/A	
28.0	38.0	8.0		TSE 149-110	
28.0	38.0	8.5			
28.0	40.0	9.5		TSE 157-110	
28.0	41.0	10.0		TSE 161-110	

* For order processing, the computer code will be
 e.g. RP 005-012-06.4 TGO, RP 010-017-07 SE, RP 012-023-07.5 SE/G

Rod Packing

(Metric Size)

Rod Dia.	Groove Dia.	Groove Width	Reference TGO	Reference SE	Reference SE/G	
d	D	L				
30.0	37.5	6.5	TGO 2514	TSD 147-118	TSE 149-118/G	
30.0	38.0	6.4		TSE 149-118		
30.0	38.0	7.5		TSD 149-118/7		
30.0	38.0	9.0		TSD 149-118/8.5		
30.0	40.0	7.5		TSE 157-118		
30.0	40.0	9.0	TGO 2515	TSE 177-118/1	TSD 157-118/8.5/G	
30.0	40.0	11.0			TSD 157-118/10.5/G	
30.0	42.0	10.5			TSD 165-118/10/G	
30.0	45.0	9.0			TSE 177-118/1/G	
30.0	45.0	9.5			TSC 177-118/G	
30.0	45.0	11.0	TGO 2516	TSE 177-125	TSD 177-118/10.5/G	
30.0	50.0	14.5			TSE 196-118	
32.0	40.0	6.0			TSE 157-125/1	
32.0	40.0	6.4			TSE 157-125/A	
32.0	40.0	9.0			TSE 157-125	
32.0	42.0	8.0	TGO 2517	TSC 165-125	TSC 165-125/G	
32.0	42.0	8.5		TSE 173-125	TSD 165-125/8/G	
32.0	42.0	10.5			TSE 165-125	
32.0	44.0	11.5			TSE 173-125	
32.0	44.0	12.0			TSC 173-125	
32.0	45.0	10.0	TGO 2516		TSE 177-125	TSE 177-125/G
32.0	46.0	10.5		TSD 181-125/10/G		
35.0	43.0	6.4		TSE 169-137		
35.0	45.0	7.0		TSC 177-137/G		
35.0	45.0	8.0		TSE 177-137/5		
35.0	45.0	9.0	TGO 2517	TSC 177-137/1	TSD 177-137/9.5/G	
35.0	45.0	10.0		TSE 177-137/2		
35.0	45.0	11.0				TSE 177-137/3/G
35.0	45.0	13.5				TSC 196-137/2/G
35.0	50.0	11.0				TSC 196-137/2/G
35.0	50.0	11.5	TGO 2517		TSE 196-137	TSC 196-137/1/G
35.0	50.0	12.5		TSC 196-137/1		
36.0	43.0	6.4		TSE 169-141		
36.0	44.0	6.4		TSE 173-141/A		
36.0	44.0	8.5		TSC 173-141/1		
36.0	46.0	8.0	TGO 2517	TSC 181-141/1	TSE 181-141/G	
36.0	46.0	8.5		TSE 181-141		
36.0	48.0	10.0		TSE 188-141		
36.0	51.0	11.5		TSC 200-141		
38.0	44.0	5.5		TSD 173-149/5		

* For order processing, the computer code will be
 e.g. RP 005-012-06.4 TGO, RP 010-017-07 SE, RP 012-023-07.5 SE/G

Rod Packing

(Metric Size)

Rod Dia.	Groove Dia.	Groove Width	Reference TGO	Reference SE	Reference SE/G	
d	D	L				
38.0	50.0	9.5	TGO 2518	TSE 196-149	TSD 216-149/10.5/G TSE 188-157/G	
38.0	50.0	10.0		TSD 196-149/9.5		
38.0	55.0	11.0				
40.0	48.0	6.4		TSE 188-157		
40.0	48.0	8.5		TSD 188-157/8		
40.0	50.0	8.0		TSE 196-157/3	TSE 196-157/3/G	
40.0	50.0	10.0			TSD 196-157/9.5/G	
40.0	50.0	10.5		TSC 196-157/1	TSC 196-157/1/G	
40.0	50.0	11.0		TSE 196-157	TSE 196-157/G	
40.0	50.0	13.5		TSE 196-157/2	TSE 196-157/2/G	
40.0	52.0	9.5			TSD 204-157/9/G	
40.0	52.0	11.0			TSD 204-157/10.5/G	
40.0	55.0	7.5			TSD 216-157/7/G	
40.0	55.0	8.0		TSE 216-157	TSE 216-157/G	
40.0	55.0	11.0		TSE 216-157/1	TSE 216-157/1/G	
40.0	55.0	11.5	TGO 2519	TSD 216-157/11	TSD 236-157/10/G TSD 236-157/10.5/G TSE 236-157/G	
40.0	60.0	10.5		TSD 236-157/10		
40.0	60.0	11.0				
40.0	60.0	14.5		TSE 236-157		
42.0	50.0	6.4		TSE 196-165/A		
43.0	53.0	9.0		TSD 208-169/8.5	TSD 208-177/8/G TSD 208-177/10.5/G	
45.0	52.0	11.0		TSE 204-177		
45.0	53.0	6.5		TSE 208-177		
45.0	53.0	8.5				
45.0	53.0	11.0				
45.0	55.0	8.0	TGO 2520	TSE 216-177	TSE 216-177/G	
45.0	55.0	10.5		TSC 216-177/3		
45.0	55.0	11.0			TSE 216-177/1/G	
45.0	60.0	10.5		TSE 236-177	TSE 236-177/G	
45.0	60.0	11.0			TSD 236-177/10.5/G	
45.0	60.0	11.5		TSC 236-177/1	TSC 236-177/1/G	
45.0	63.0	11.0		TSE 248-177	TSE 248-177/G	
45.0	65.0	14.5		TSE 255-177	TSE 255-177/G	
46.0	54.0	8.0		TSD 212-181/7.5		
46.0	56.0	8.0		TSD 220-181/7.5		
48.0	60.0	7.0	TGO 2521	TSE 236-188	TSD 236-188/10.5/G TSE 236-196/G	
48.0	60.0	11.0				
48.0	63.0	11.5		TSC 248-188/2		
50.0	58.0	8.5		TSC 228-196		
50.0	60.0	8.0		TSE 236-196		

* For order processing, the computer code will be
 e.g. RP 005-012-06.4 TGO, RP 010-017-07 SE, RP 012-023-07.5 SE/G

Rod Packing

(Metric Size)

Rod Dia.	Groove Dia.	Groove Width	Reference TGO	Reference SE	Reference SE/G
d	D	L			
50.0	60.0	10.0		TSD 236-196/9.5	TSD 236-196/9.5/G
50.0	60.0	10.5		TSE 236-196/1	TSE 236-196/1/G
50.0	60.0	11.0			TSE 236-196/2/G
50.0	60.0	14.5		TSC 236-196/3	TSC 236-196/3/G
50.0	62.0	10.0		TSE 244-196	TSE 244-196/G
50.0	65.0	11.0		TSE 255-196	TSE 255-196/G
50.0	65.0	11.5		TSD 255-196/11	
50.0	66.0	12.5		TSD 259-196/12	
50.0	70.0	14.5		TSE 275-196	TSE 275-196/G
54.0	66.0	9.5		TSE 259-212	
55.0	65.0	8.0	TGO 2522	TSE 255-216/1	TSE 255-216/1/G
55.0	65.0	11.0			TSE 255-216/G
55.0	65.0	13.5			TSE 255-216/4/G
55.0	70.0	10.5		TSE 275-216	TSE 275-216/G
55.0	75.0	14.5		TSE 295-216	TSE 295-216/G
56.0	66.0	8.0	TGO 2523	TSE 259-220/A	TSE 259-220/A/G
56.0	66.0	11.0			TSD 259-220/10.5/G
56.0	71.0	10.5			TSE 279-220/G
56.0	71.0	12.5			TSD 279-220/12/G
56.0	76.0	14.5			TSE 299-220/G
57.0	67.0	8.0		TSE 263-224	
60.0	68.0	13.0		TSE 267-236	
60.0	69.5	7.5		TSD 273-236	
60.0	69.5	13.0		TSE 273-236/1	
60.0	70.0	8.0	TGO 2524	TSE 275-236	TSE 275-236/G
60.0	70.0	9.5		TSD 275-236/9	
60.0	70.0	10.0			TSD 275-236/9.5/G
60.0	70.0	11.0			TSE 275-236/3/G
60.0	70.0	13.0		TSE 275-236/2	TSE 275-236/2/G
60.0	70.0	14.5		TSC 275-236/4	
60.0	72.0	10.0		TSE 283-236	TSE 283-236/G
60.0	72.0	11.0		TSC 283-236/2	
60.0	75.0	13.0		TSE 295-236	TSE 295-236/G
60.0	80.0	14.5		TSE 314-236	TSE 314-236/G
63.0	75.0	9.6	TGO 2525	TSE 295-248/A	
63.0	75.0	10.5			TSE 295-248/G
63.0	78.0	10.5			TSD 307-248/10/G
63.0	83.0	14.5		TSE 326-248	TSE 326-248/G
65.0	75.0	13.5		TSE 295-255	TSE 295-255/G
65.0	77.0	9.6	TGO 2526	TSE 303-255/A	

* For order processing, the computer code will be e.g. RP 005-012-06.4 TGO, RP 010-017-07 SE, RP 012-023-07.5 SE/G

Rod Packing

(Metric Size)

Rod Dia.	Groove Dia.	Groove Width	Reference TGO	Reference SE	Reference SE/G
d	D	L			
65.0	80.0	11.5		TSE 314-255	TSE 314-255/G
65.0	80.0	12.5		TSE 314-255/1	TSE 314-255/1/G
65.0	85.0	14.5		TSE 334-255	TSE 334-255/G
70.0	80.0	8.0		TSE 314-275/1	
70.0	80.0	13.0		TSE 314-275	TSE 314-275/G
70.0	82.0	9.6	TGO 2527	TSE 322-275/A	
70.0	82.0	10.5			TSP 322-275/G
70.0	82.0	11.0		TSC 322-275/2	
70.0	84.0	12.5		TSE 330-275	TSE 330-275/G
70.0	85.0	10.0		TSD 334-275/9.5	
70.0	85.0	12.0		TSD 334-275/11.5	TSD 334-275/11.5/G
70.0	85.0	12.5		TSE 334-275/1	TSE 334-275/1/G
70.0	90.0	14.5		TSE 354-275	TSE 354-275/G
72.0	84.0	6.5		TSE 330-283	
75.0	83.0	6.5		TSD 326-295/6	
75.0	85.0	8.0		TSE 334-295/1	
75.0	85.0	11.0		TSE 334-295/2	TSE 334-295/2/G
75.0	85.0	12.5			TSD 334-295/12/G
75.0	87.0	9.6	TGO 2528		
75.0	90.0	11.5		TSE 354-295	TSE 354-295/G
75.0	90.0	13.0			TSP 354-295/G
75.0	95.0	14.5		TSE 374-295	TSE 374-295/G
78.0	86.0	9.5			TSE 338-307/1/G
78.0	90.0	12.5			TSD 354-307/12/G
80.0	90.0	8.0		TSE 354-314	
80.0	90.0	11.0			TSE 354-314/1/G
80.0	90.0	13.0			TSE 354-314/2/G
80.0	92.0	9.6	TGO 2529	TSE 362-314/A	
80.0	92.0	11.0		TSC 362-314/1	
80.0	95.0	10.5			TSD 374-314/10/G
80.0	95.0	12.5		TSC 374-314/1	TSC 374-314/1/G
80.0	95.0	13.0		TSC 374-314	TSC 374-314/G
80.0	96.0	10.5		TSE 377-314	TSE 377-314/G
80.0	100.0	12.0		TSE 393-314/1	TSE 393-314/1/G
80.0	100.0	14.5		TSE 393-314	TSE 393-314/G
81.0	91.0	8.0		TSD 358-318/7.5	
84.0	94.0	8.0		TSE 370-330	
85.0	95.0	8.0		TSE 374-334	
85.0	97.0	9.6	TGO 2530	TSE 381-334/A	
85.0	100.0	12.0			TSD 393-334/11.5/G

* For order processing, the computer code will be
e.g. RP 005-012-06.4 TGO, RP 010-017-07 SE, RP 012-023-07.5 SE/G

Rod Packing

(Metric Size)

Rod Dia.	Groove Dia.	Groove Width	Reference TGO	Reference SE	Reference SE/G
d	D	L			
85.0	100.0	13.0		TSE 393-334	TSE 393-334/G
85.0	105.0	13.0		TSC 413-334/1	
85.0	105.0	14.8			TSE 413-334/G
87.0	110.0	8.0		TSC 433-342	
90.0	100.0	11.0			TSE 393-354/G
90.0	102.0	9.6	TGO 2531	TSE 401-354/A	
90.0	105.0	9.5		TSE 413-354	TSE 413-354/G
90.0	105.0	12.5			TSE 413-354/1/G
90.0	110.0	12.5		TSE 433-354	TSE 433-354/G
90.0	110.0	14.5		TSE 433-354/1	TSE 433-354/1/G
95.0	105.0	11.0		TSE 413-374	TSE 413-374/G
95.0	107.0	12.5		TSE 421-374	
95.0	115.0	14.5			TSC 452-374/G
98.0	107.5	7.0		TSE 423-385	
100.0	113.0	13.5		TSE 444-393	TSE 444-393/G
100.0	115.0	11.5	TGO 2532	TSD 452-393/11	
100.0	115.0	12.0		TSE 452-393/A	
100.0	115.0	12.5		TSD 452-393/12	TSD 452-393/12/G
100.0	120.0	12.0			TSD 472-393/11.5/G
100.0	120.0	14.5		TSE 472-393	TSE 472-393/G
100.0	125.0	14.5		TSE 492-393	
105.0	115.0	11.0		TSE 452-413	TSE 452-413/G
105.0	120.0	12.0		TSE 472-413	
105.0	120.0	13.5			TSD 472-413/13/G
105.0	120.0	15.5			TSD 472-413/15/G
105.0	125.0	12.5			TSE 492-413/G
105.0	125.0	14.5			TSE 492-413/2/G
106.0	116.0	8.0		TSE 457-417	
110.0	120.0	11.0			TSD 472-433/10.5/G
110.0	124.0	9.5		TSD 488-433/9	
110.0	125.0	11.5	TGO 2533	TSD 492-433/11	
110.0	125.0	12.0		TSE 492-433	TSE 492-433/G
110.0	130.0	10.5			TSD 511-433/10.5/G
110.0	130.0	12.5		TSE 511-433	TSE 511-433/G
110.0	130.0	14.5		TSE 511-433/1	
110.0	130.0	16.0			TSD 511-433/15/G
110.0	135.0	16.0			TSD 531-433/15/G
115.0	125.0	8.0		TSE 492-452	
115.0	130.0	10.5			TSD 511-452/10/G
115.0	130.0	12.0	TGO 2534		

* For order processing, the computer code will be
 e.g. RP 005-012-06.4 TGO, RP 010-017-07 SE, RP 012-023-07.5 SE/G

Rod Packing

(Metric Size)

Rod Dia.	Groove Dia.	Groove Width	Reference TGO	Reference SE	Reference SE/G
d	D	L			
115.0	135.0	14.5			TSD 531-452/14/G
115.0	135.0	16.0			TSD 531-452/15/G
118.0	130.0	12.5		TSE 511-464	
120.0	130.0	11.0			TSD 511-472/10.5/G
120.0	130.0	12.5			TSD 511-472/12/G
120.0	132.7	10.0		TSE 522-472	TSE 522-472/G
120.0	135.0	12.5			TSE 531-472/G
120.0	140.0	12.5		TSE 551-472	TSE 551-472/G
120.0	140.0	16.0			TSD 551-472/15/G
120.0	145.0	13.0			TSE 570-472/G
123.0	133.0	8.0		TSD 523-484/7.5	
125.0	140.0	11.5		TSD 551-492/11	
125.0	140.0	12.0	TGO 2535		
125.0	140.0	12.5			TSE 551-492/G
125.0	145.0	15.0		TSE 570-492	TSE 570-492/G
125.0	150.0	14.5		TSE 590-492	TSE 590-492/G
125.0	150.0	16.0			TSD 590-492/15/G
126.0	136.0	8.0		TSE 535-496	
130.0	145.0	9.5			TSD 570-511/9/G
130.0	145.0	13.0			TSD 570-511/11.5/G
130.0	145.0	15.0		TSE 570-511	TSE 570-511/G
130.0	150.0	14.5		TSE 590-511	TSE 590-511/G
130.0	150.0	16.0			TSD 590-511/15/G
135.0	150.0	9.5			TSD 590-531/9/G
140.0	150.0	10.0		TSE 590-551	
140.0	150.0	11.0			TSD 590-551/10.5/G
140.0	150.0	12.5			TSD 590-551/12/G
140.0	155.0	13.0		TSE 610-551	
140.0	160.0	12.5			TSD 629-551/12/G
140.0	160.0	13.5			TSE 629-551/G
140.0	160.0	14.5		TSE 629-551/1	TSE 629-551/1/G
140.0	160.0	16.0	TGO 2536		
140.0	165.0	16.0			TSD 649-551/15/G
145.0	157.5	10.0		TSE 620-570	
150.0	165.0	13.0			TSD 649-590/12.5/G
150.0	170.0	14.5		TSE 669-590/1	TSE 669-590/1/G
150.0	170.0	16.0	TGO 2537		
150.0	180.0	20.5			TSE 708-590/G
155.0	170.0	9.5		TSE 669-610	
155.0	175.0	25.5			TSE 688-610/M/G

* For order processing, the computer code will be e.g. RP 005-012-06.4 TGO, RP 010-017-07 SE, RP 012-023-07.5 SE/G

Rod Packing

(Metric Size)

Rod Dia.	Groove Dia.	Groove Width	Reference TGO	Reference SE	Reference SE/G
d	D	L			
160.0	170.0	11.0			TSP 669-629/1/G
160.0	175.0	16.0		TSE 688-629	TSE 688-629/G
160.0	180.0	13.0			TSE 708-629/G
160.0	180.0	14.5			TSD 708-629/14/G
160.0	180.0	16.0	TGO 2538	TSE 708-629/A	TSE 708-629/A/G
160.0	185.0	16.0			TSD 728-629/15/G
160.0	185.0	18.5			TSE 728-629/1/G
170.0	182.7	10.0			TSD 719-669/9.5/G
170.0	182.7	11.0		TSE 719-669	
180.0	200.0	14.5		TSE 787-708	TSE 787-708/G
180.0	200.0	16.0	TGO 2539		TSE 787-708/A/G
180.0	200.0	16.0		TSE 787-708/1	TSE 787-708/1/G
180.0	210.0	20.5		TSE 826-708	
188.0	203.0	13.0			TSE 799-740/G
190.0	210.0	15.0			TSD 826-748/14.5/G
198.0	208.0	12.5			TSE 819-779/G
200.0	220.0	14.5			TSE 866-787/G
200.0	220.0	16.0	TGO 2540	TSE 866-787/A	
200.0	230.0	19.5		TSE 905-787	
210.0	230.0	14.5			TSD 905-826/G
210.0	240.0	22.5		TSE 944-826	
214.0	229.0	13.0		TSE 901-842	
220.0	245.0	16.0			TSD 964-866/11
225.0	255.0	22.5		TSE 1003-885	
230.0	260.0	20.0		TSE 1023-905	
238.0	258.0	15.5		TSE 1015-937	
250.0	285.0	16.5		TSE 1122-984	
250.0	290.0	25.4		TSE 1141-984	
260.0	290.0	20.0			TSE 1141-1023/G
280.0	320.0	22.5		TSE 1259-1102	
290.0	310.0	15.5		TSE 1220-1141	
310.0	330.0	16.5		TSE 1229-1220	
320.0	360.0	25.5		TSE 1417-1259	
340.0	380.0	25.0		TSD 1496-1338/25	TSD 1496-1338/25/G
350.0	385.0	25.4		TSE 1515-1377	
360.0	400.0	32.0		TSE 1574-1417	

* For order processing, the computer code will be
 e.g. RP 005-012-06.4 TGO, RP 010-017-07 SE, RP 012-023-07.5 SE/G