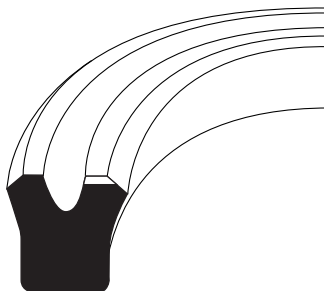


Rod Seals

SNY

(Metric Size)

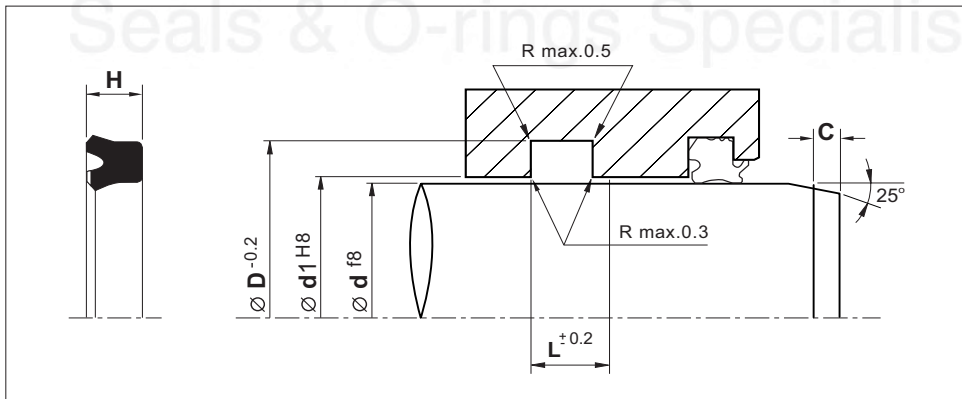


SNY

Material	Pressure (Bar)	Temp. (°c)	Speed (m/s)
NBR	210	-45 +100	0.5

- High pressure applications.
- High frequency conditions.
- Exceptional low stick slip.
- Usable both regular and severe cold environments.

Installation Recommendation



Surface roughness	Ra	Rt	Chamfers	
Sliding surface	≤ 0.3 µm	≤ 4 µm	d	C
Surface of housing	≤ 1.8 µm	≤ 10 µm	18-28	3.5
Sides of housing	≤ 3.0 µm	≤ 16 µm	28-45	4.0
			45-90	5.0
			90-180	6.0

Rubber U-Cup - SNY

(Metric Size)

Rod Dia.	Groove Dia.	Seal Height	Groove Width		Diameter	Reference (For order processing)
d	D	H	L	L1*	d1	
14.0	22.0	5.0	5.7	6.7	14.4	SNY-14
18.0	26.0	5.0	5.7	6.7	18.4	SNY-18
20.0	28.0	5.0	5.7	6.7	20.4	SNY-20
25.0	33.0	5.0	5.7	6.7	25.4	SNY-25
28.0	35.5	5.0	5.7	6.7	28.4	SNY-28
30.0	40.0	6.0	7.0	8.5	30.5	SNY-30
31.5	41.5	6.0	7.0	8.5	32.0	SNY-31.5
35.0	45.0	6.0	7.0	8.5	35.5	SNY-35
35.5	45.0	6.0	7.0	8.5	36.0	SNY-35.5
40.0	50.0	6.0	7.0	8.5	40.5	SNY-40
45.0	55.0	6.0	7.0	8.5	45.5	SNY-45
45.0	56.0	7.0	8.0	9.5	45.5	SNY-45A
50.0	60.0	6.0	7.0	8.5	50.5	SNY-50
55.0	65.0	6.0	7.0	8.5	55.6	SNY-55
56.0	66.0	6.0	7.0	8.5	56.6	SNY-56
60.0	70.0	6.0	7.0	8.5	60.6	SNY-60
60.0	71.0	7.0	8.0	9.5	60.6	SNY-60A
63.0	73.0	6.0	7.0	8.5	63.6	SNY-63
65.0	75.0	6.0	7.0	8.5	65.5	SNY-65
70.0	85.0	9.0	10.0	12.0	70.6	SNY-70A
70.0	80.0	6.0	7.0	8.5	70.6	SNY-70C
75.0	85.0	6.0	7.0	8.5	75.6	SNY-75
75.0	90.0	9.0	10.0	12.0	75.6	SNY-75A
80.0	95.0	9.0	10.0	12.0	80.6	SNY-80A
80.0	90.0	6.0	7.0	8.5	80.6	SNY-80C
85.0	100.0	9.0	10.0	12.0	85.6	SNY-85
90.0	105.0	9.0	10.0	12.0	90.6	SNY-90
95.0	110.0	9.0	10.0	12.0	95.6	SNY-95
100.0	115.0	9.0	10.0	12.0	100.6	SNY-100
105.0	120.0	9.0	10.0	12.0	105.6	SNY-105
110.0	125.0	9.0	10.0	12.0	110.6	SNY-110
115.0	130.0	8.5	9.5	11.5	115.6	SNY-115B
125.0	140.0	9.0	10.0	12.0	125.7	SNY-125
140.0	155.0	9.0	10.0	12.0	140.7	SNY-140
150.0	165.0	9.0	10.0	12.0	150.7	SNY-150
160.0	175.0	9.0	10.0	12.0	160.7	SNY-160
180.0	200.0	12.0	13.0	15.5	180.7	SNY-180

* L1 Groove for RNY used with 1 back up ring can stand pressure up to 210 Bar