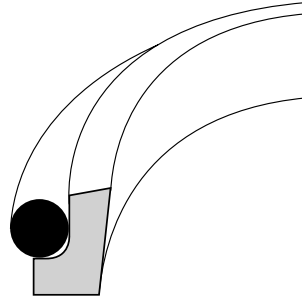


Wipers

SP-55-581

(Metric Size)

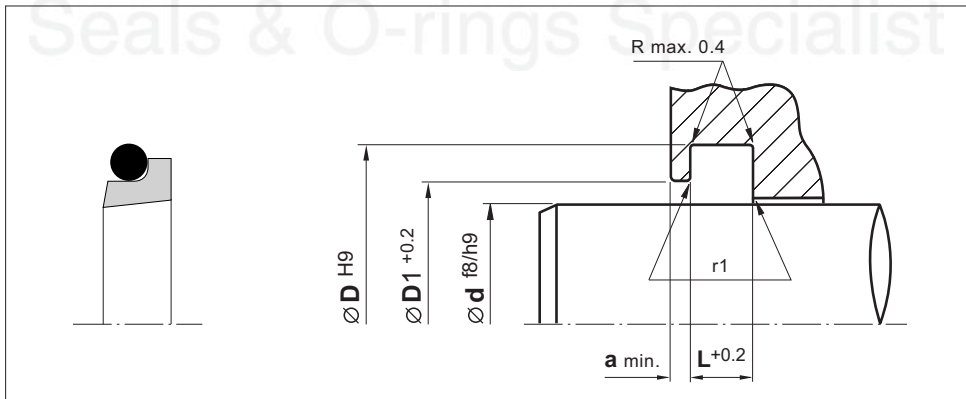


SP-55-581

Material	Temp. (°c)	Speed (m/s)
PTFE - O Ring	-40 +200	15

- Outstanding sliding properties.
- Stick-slip free.
- Space saving construction.
- Very good scraping effect against outside contaminant.

Installation Recommendation



Surface roughness	Ra	Rt
-------------------	----	----

Sliding surface	≤ 0.3 μm	≤ 4 μm
Surface of housing	≤ 1.8 μm	≤ 10 μm
Sides of housing	≤ 3.0 μm	≤ 16 μm

# PTFE Wiper - 581



## Installation Dimensions

Series No.	Rod Dia.	Groove Dia.	Groove Width	Radius	Bore Dia.	Step Width	O-Ring Cross-Section
	d	D	L	r1	D1	a	
0	6 - 11.9	d + 4.8	3.7	0.4	d + 2.7	2	1.78
1	12 - 64.9	d + 6.8	5.0	0.7	d + 3.5	2	2.62
2	65 - 250.9	d + 8.8	6.0	1.0	d + 4.0	3	3.53
3	251 - 420.9	d + 12.2	8.4	1.2	d + 4.5	3	5.33
4	421 - 650.9	d + 16.0	11.0	1.5	d + 5.2	4	7.00
5	651 - 999.9	d + 20.0	14.0	2.0	d + 6.6	5	8.40

## (Metric Size)

Rod Dia.	Groove Dia.	Groove Width	Bore Dia.	O-RING No.	Reference (For order processing)	Reference	Reference
d	D	L	D1				
4.0	8.8	3.7	6.7	009	SP-55-581-0040	ES55123-0040	WEM300040
5.0	9.8	3.7	7.7	010	SP-55-581-0050	ES55123-0050	WEM300050
6.0	10.8	3.7	8.7	011	SP-55-581-0060	ES55123-0060	WEM300060
8.0	12.8	3.7	10.7	012	SP-55-581-0080	ES55123-0080	WEM300080
10.0	14.8	3.7	12.7	013	SP-55-581-0100	ES55123-0100	WEM300100
12.0	18.8	5.0	15.5	113	SP-55-581-0120	ES55123-0120	WEM300120
14.0	20.8	5.0	17.5	114	SP-55-581-0140	ES55123-0140	WEM300140
15.0	21.8	5.0	18.5	115	SP-55-581-0150	ES55123-0150	WEM300150
16.0	22.8	5.0	19.5	116	SP-55-581-0160	ES55123-0160	WEM300160
18.0	24.8	5.0	21.5	117	SP-55-581-0180	ES55123-0180	WEM300180
20.0	26.8	5.0	23.5	118	SP-55-581-0200	ES55123-0200	WEM300200
24.0	30.8	5.0	27.5	120	SP-55-581-0240	ES55123-0240	WEM300240
25.0	31.8	5.0	28.5	121	SP-55-581-0250	ES55123-0250	WEM300250
26.0	32.8	5.0	29.5	122	SP-55-581-0260	ES55123-0260	WEM300260
28.0	34.8	5.0	31.5	123	SP-55-581-0280	ES55123-0280	WEM300280
30.0	36.8	5.0	33.5	124	SP-55-581-0300	ES55123-0300	WEM300300
32.0	38.8	5.0	35.5	126	SP-55-581-0320	ES55123-0320	WEM300320
35.0	41.8	5.0	38.5	127	SP-55-581-0350	ES55123-0350	WEM300350
36.0	42.8	5.0	39.5	129	SP-55-581-0360	ES55123-0360	WEM300360
38.0	44.8	5.0	41.5	130	SP-55-581-0380	ES55123-0380	WEM300380
40.0	46.8	5.0	43.5	131	SP-55-581-0400	ES55123-0400	WEM300400
42.0	48.8	5.0	45.5	132	SP-55-581-0420	ES55123-0420	WEM300420
45.0	51.8	5.0	48.5	134	SP-55-581-0450	ES55123-0450	WEM300450
48.0	54.8	5.0	51.5	136	SP-55-581-0480	ES55123-0480	WEM300480
50.0	56.8	5.0	53.5	137	SP-55-581-0500	ES55123-0500	WEM300500
52.0	58.8	5.0	55.5	138	SP-55-581-0520	ES55123-0520	WEM300520
55.0	61.8	5.0	58.5	140	SP-55-581-0550	ES55123-0550	WEM300550
58.0	64.8	5.0	61.5	142	SP-55-581-0580	ES55123-0580	WEM300580
60.0	66.8	5.0	63.5	143	SP-55-581-0600	ES55123-0600	WEM300600
65.0	73.8	6.0	69.0	231	SP-55-581-0650	ES55123-0650	WEM300650

## PTFE Wiper - 581

(Metric Size)

Rod Dia.	Groove Dia.	Groove Width	Bore Dia.	O-RING No.	Reference (For order processing)	Reference	Reference
d	D	L	D1				
70.0	78.8	6.0	74.0	233	SP-55-581-0700	ES55123-0700	WEM300700
75.0	83.8	6.0	79.0	234	SP-55-581-0750	ES55123-0750	WEM300750
80.0	88.8	6.0	84.0	236	SP-55-581-0800	ES55123-0800	WEM300800
85.0	93.8	6.0	89.0	237	SP-55-581-0850	ES55123-0850	WEM300850
90.0	98.8	6.0	94.0	239	SP-55-581-0900	ES55123-0900	WEM300900
95.0	103.8	6.0	99.0	241	SP-55-581-0950	ES55123-0950	WEM300950
100.0	108.8	6.0	104.0	242	SP-55-581-1000	ES55123-1000	WEM301000
110.0	118.8	6.0	114.0	245	SP-55-581-1100	ES55123-1100	WEM301100
120.0	128.8	6.0	124.0	249	SP-55-581-1200	ES55123-1200	WEM301200
125.0	133.8	6.0	129.0	250	SP-55-581-1250	ES55123-1250	WEM301250
130.0	138.8	6.0	134.0	252	SP-55-581-1300	ES55123-1300	WEM301300
140.0	148.8	6.0	144.0	255	SP-55-581-1400	ES55123-1400	WEM301400
150.0	158.8	6.0	154.0	258	SP-55-581-1500	ES55123-1500	WEM301500
155.0	163.8	6.0	159.0	259	SP-55-581-1550	ES55123-1550	WEM301550
160.0	168.8	6.0	164.0	260	SP-55-581-1600	ES55123-1600	WEM301600
170.0	178.8	6.0	174.0	261	SP-55-581-1700	ES55123-1700	WEM301700
175.0	183.8	6.0	179.0	262	SP-55-581-1750	ES55123-1750	WEM301750
180.0	188.8	6.0	184.0	263	SP-55-581-1800	ES55123-1800	WEM301800
185.0	193.8	6.0	189.0	263	SP-55-581-1850	ES55123-1850	WEM301850
190.0	198.8	6.0	194.0	264	SP-55-581-1900	ES55123-1900	WEM301900
195.0	203.8	6.0	199.0	265	SP-55-581-1950	ES55123-1950	WEM301950
200.0	208.8	6.0	204.0	266	SP-55-581-2000	ES55123-2000	WEM302000
210.0	218.8	6.0	214.0	267	SP-55-581-2100	ES55123-2100	WEM302100
220.0	228.8	6.0	224.0	269	SP-55-581-2200	ES55123-2200	WEM302200
225.0	233.8	6.0	229.0	270	SP-55-581-2250	ES55123-2250	WEM302250
230.0	238.8	6.0	234.0	271	SP-55-581-2300	ES55123-2300	WEM302300
240.0	248.8	6.0	244.0	272	SP-55-581-2400	ES55123-2400	WEM302400
250.0	258.8	6.0	254.0	274	SP-55-581-2500	ES55123-2500	WEM302500
260.0	272.2	8.4	264.5	378	SP-55-581-2600	ES55123-2600	WEM302600
270.0	282.2	8.4	274.5	379	SP-55-581-2700	ES55123-2700	WEM302700
280.0	292.2	8.4	284.5	379	SP-55-581-2800	ES55123-2800	WEM302800
290.0	302.2	8.4	294.5	380	SP-55-581-2900	ES55123-2900	WEM302900
300.0	312.2	8.4	304.5	381	SP-55-581-3000	ES55123-3000	WEM303000
310.0	322.2	8.4	314.5	381	SP-55-581-3100	ES55123-3100	WEM303100
320.0	332.2	8.4	324.5	382	SP-55-581-3200	ES55123-3200	WEM303200
330.0	342.2	8.4	334.5	382	SP-55-581-3300	ES55123-3300	WEM303300
340.0	352.2	8.4	344.5	382	SP-55-581-3400	ES55123-3400	WEM303400
350.0	362.2	8.4	354.5	383	SP-55-581-3500	ES55123-3500	WEM303500
360.0	372.2	8.4	364.5	383	SP-55-581-3600	ES55123-3600	WEM303600
370.0	382.2	8.4	374.5	383	SP-55-581-3700	ES55123-3700	WEM303700

# PTFE Wiper - 581



(Metric Size)

Rod Dia.	Groove Dia.	Groove Width	Bore Dia.	O-RING No.	Reference (For order processing)	Reference	Reference
d	D	L	D1				
380.0	392.2	8.4	384.5	384	SP-55-581-3800	ES55123-3800	WEM303800
390.0	402.2	8.4	394.5	384	SP-55-581-3900	ES55123-3900	WEM303900
400.0	412.2	8.4	404.5	385	SP-55-581-4000	ES55123-4000	WEM304000
410.0	422.2	8.4	414.5	385	SP-55-581-4100	ES55123-4100	WEM304100
420.0	432.2	8.4	424.5	386	SP-55-581-4200	ES55123-4200	WEM304200
430.0	446.0	11.0	435.2	463	SP-55-581-4300	ES55123-4300	WEM304300
440.0	456.0	11.0	445.2	464	SP-55-581-4400	ES55123-4400	WEM304400
450.0	466.0	11.0	455.2	465	SP-55-581-4500	ES55123-4500	WEM304500
460.0	476.0	11.0	465.2	466	SP-55-581-4600	ES55123-4600	WEM304600
470.0	486.0	11.0	475.2	466	SP-55-581-4700	ES55123-4700	WEM304700
480.0	496.0	11.0	485.2	467	SP-55-581-4800	ES55123-4800	WEM304800
490.0	506.0	11.0	495.2	468	SP-55-581-4900	ES55123-4900	WEM304900
500.0	516.0	11.0	505.2	469	SP-55-581-5000	ES55123-5000	WEM305000

Select the material of seal ring and o-ring from Compounds for Fluid Technology (page 8)

**Order No.** SP-55 - 58 1 - 0040

Seal ring material code \_\_\_\_\_

Seal profile \_\_\_\_\_

O ring material code \_\_\_\_\_

Rod diameter x 10 \_\_\_\_\_