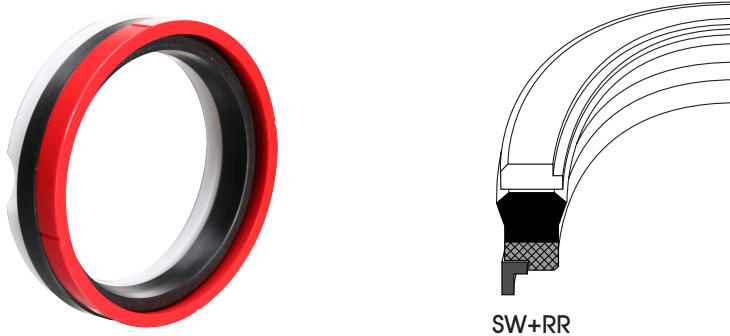


Piston Seals (Single Acting)

SW+RR

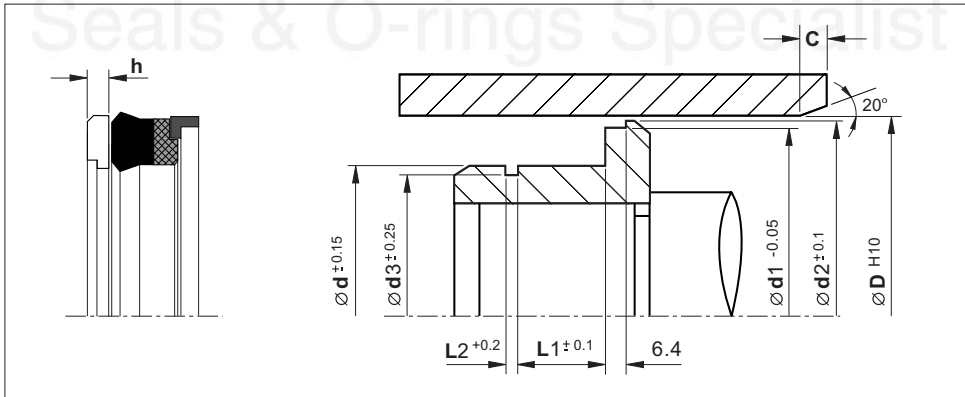
(Metric Size)



Material	Pressure (Bar)	Temp. (°c)	Speed (m/s)
NBR+Fabric-POM	450	-340 +120	0.5

- Excellent sealing performance.
- Good extrusion resistance.
- Excellent wear resistance.
- Easier installation.

Installation Recommendation



Surface roughness	Ra	Rt	Chamfers	
Sliding surface	$\leq 0.3 \mu\text{m}$	$\leq 4 \mu\text{m}$	D	C
Surface of housing	$\leq 1.8 \mu\text{m}$	$\leq 10 \mu\text{m}$	< 60	4.0
Sides of housing	$\leq 3.0 \mu\text{m}$	$\leq 16 \mu\text{m}$	60-120	5.0
			120-130	6.5

Piston Sealing Set - SW+RR

(Metric Size)

Bore Dia.	Groove Dimensions						RR Height	Reference (For order processing)	Reference
	D	d	L1	d1	d2	d3	L2		
40.0	26.0	9.5	35.4	38.7	21.6	3.1	6.0	CS 040-026-09.5 SW+RR	SW 157 102/1 +RR
45.0	35.0	9.0	42.0	44.1	30.6	2.6	5.0	CS 045-035-09 SW+RR	SW 177 137/5 +RR
50.0	30.0	14.5	44.3	48.3	25.6	3.3	6.5	CS 050-030-14.5 SW+RR	SW 196 118/1 +RR
50.0	40.0	10.5	46.2	48.7	35.6	2.6	5.0	CS 050-040-10.5 SW+RR	SW 196 157/2 +RR
55.0	40.0	11.0	50.4	53.7	35.6	3.1	6.0	CS 055-040-11 SW+RR	SW 216 157/1 +RR
60.0	40.0	14.5	54.2	58.3	35.6	3.3	6.5	CS 060-040-14.5 SW+RR	SW 236 157/2 +RR
63.0	45.0	11.0	58.4	61.6	40.6	3.1	6.0	CS 063-045-11 SW+RR	SW 248 177 +RR
65.0	45.0	14.5	59.3	63.1	40.6	3.3	6.5	CS 065-045-14.5 SW+RR	SW 255 177/1 +RR
65.0	50.0	11.0	60.2	63.2	45.6	3.1	6.0	CS 065-050-11 SW+RR	SW 255 196/2 +RR
70.0	50.0	14.5	64.2	68.3	45.6	3.3	6.5	CS 070-050-14.5 SW+RR	SW 275 196/1 +RR
80.0	60.0	14.5	74.2	78.3	55.6	3.3	6.5	CS 080-060-14.5 SW+RR	SW 314 236/1 +RR
80.0	65.0	11.5	75.4	78.6	60.6	3.1	6.0	CS 080-065-11.5 SW+RR	SW 314 255 +RR
85.0	70.0	12.5	80.3	83.6	65.6	3.1	6.0	CS 085-070-12.5 SW+RR	SW 334 275 +RR
90.0	70.0	14.5	84.2	88.3	65.6	3.3	6.5	CS 090-070-14.5 SW+RR	SW 354 275/1 +RR
95.0	75.0	14.5	89.2	93.3	70.6	3.3	6.5	CS 095-075-14.5 SW+RR	SW 374 295/1 +RR
100.0	80.0	14.5	94.2	98.3	75.6	3.3	6.5	CS 100-080-14.5 SW+RR	SW 393 314/1 +RR
104.5	85.0	13.0	98.8	102.6	80.6	3.1	6.0	CS 104.5-085-13 SW+RR	SW 411 334 +RR
105.0	85.0	13.0	99.1	103.3	80.6	3.3	6.5	CS 105-085-13 SW+RR	SW 413 334/2 +RR
105.0	85.0	14.5	99.1	103.3	80.6	3.3	6.5	CS 105-085-14.5 SW+RR	SW 413 334/1 +RR
110.0	90.0	13.0	104.1	108.3	85.6	3.3	6.5	CS 110-090-13 SW+RR	SW 433 354/2 +RR
115.0	95.0	14.5	109.0	113.3	90.6	3.3	6.5	CS 115-095-14.5 SW+RR	SW 452 374 +RR
120.0	100.0	13.0	114.1	118.3	95.6	3.3	6.5	CS 120-100-13 SW+RR	SW 472 393/1 +RR
125.0	105.0	13.0	119.1	123.3	100.6	3.3	6.5	CS 125-105-13 SW+RR	SW 492 413/1 +RR
130.0	110.0	12.5	123.1	128.0	100.6	3.3	6.5	CS 130-110-12.5 SW+RR	SW 511 433 +RR