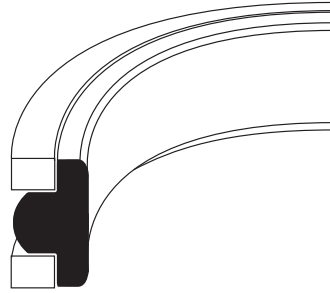


## Piston Seals (Double Acting)

TP

(Inch Size)

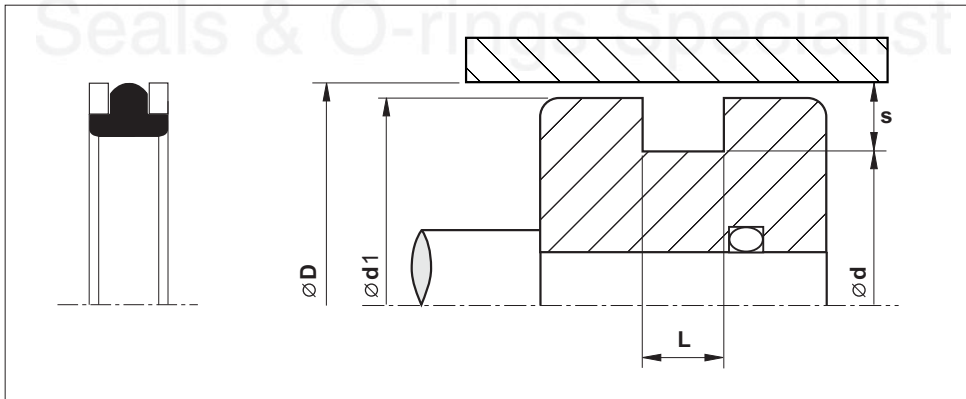


TP

Material	Pressure (Bar)	Temp. (°C)	Speed (m/s)
NBR - POM	350	-30 +120	1

- High extrusion resistance.
- Usable in standard o-ring groove.
- Non spiralling.
- Easy installation.

### Installation Recommendation



Surface roughness

$\mu\text{in CLA}$

Sliding surface

4 to 16

Surface of housing

63 max

Sides of housing

125 max

# Piston T - Seal



(Inch Size)

Nominal Size			Bore Dia.	Groove Dia.	Groove Width	Piston Dia.	O-Ring No.	Reference (For ordering)
OD	ID	S	D	d	L	d1		
3/8	3/16	3/32	.375 ±.001	.190 +.002-.000	.150 +.005-.000	.371 ±.001	106	TP-001
7/16	1/4	3/32	.437	.252	.150	.433	108	TP-002
1/2	5/16	3/32	.500	.315	.150	.496	109	TP-003
9/16	5/16	1/8	.562	.317	.185	.558	203	TP-004
5/8	3/8	1/8	.625	.380	.185	.621	204	TP-005
11/16	7/16	1/8	.687	.442	.185	.683	205	TP-006
3/4	1/2	1/8	.750	.505	.185	.746	206	TP-007
13/16	9/16	1/8	.812	.567	.185	.808	207	TP-008
7/8	5/8	1/8	.875	.630	.185	.871	208	TP-009
15/16	11/16	1/8	.937	.692	.185	.933	209	TP-010
1	3/4	1/8	1.001	.756	.185	.997	210	TP-011
1-1/16	13/16	1/8	1.063	.818	.185	1.059	211	TP-012
1-1/8	7/8	1/8	1.126	.881	.185	1.122	212	TP-013
1-3/16	15/16	1/8	1.188	.943	.185	1.184	213	TP-014
1-1/4	1	1/8	1.251	1.006	.185	1.247	214	TP-015
1-5/16	1-1/16	1/8	1.313	1.068	.185	1.309	215	TP-016
1-3/8	1-1/8	1/8	1.376	1.131	.185	1.372	216	TP-017
1-7/16	1-3/16	1/8	1.438	1.193	.185	1.434	217	TP-018
1-1/2	1-1/4	1/8	1.501	1.256	.185	1.497	218	TP-019
1-9/16	1-5/16	1/8	1.563	1.318	.185	1.559	219	TP-020
1-5/8	1-3/8	1/8	1.626	1.381	.185	1.622	220	TP-021
1-3/4	1-1/2	1/8	1.751	1.506	.185	1.747	222	TP-022
1-7/8	1-1/2	3/16	1.876	1.502	.280	1.872	325	TP-023
2	1-5/8	3/16	2.001	1.627	.280	1.997	326	TP-024
2-1/8	1-3/4	3/16	2.126	1.752	.280	2.122	327	TP-025
2-1/4	1-7/8	3/16	2.251	1.877	.280	2.247	328	TP-026
2-3/8	2	3/16	2.376	2.002	.280	2.372	329	TP-027
2-1/2	2-1/8	3/16	2.501	2.127	.280	2.497	330	TP-028
2-5/8	2-1/4	3/16	2.626	2.252	.280	2.620	331	TP-029
2-3/4	2-3/8	3/16	2.751 ±.002	2.377 +.003-.001	.280	2.745 ±.002	332	TP-030
2-7/8	2-1/2	3/16	2.876	2.502	.280	2.870	333	TP-031
3	2-5/8	3/16	3.001	2.627	.280	2.995	334	TP-032
3-1/8	2-3/4	3/16	3.126	2.752	.280	3.120	335	TP-033
3-1/4	2-7/8	3/16	3.251	2.877	.280	3.245	336	TP-034
3-1/2	3-1/8	3/16	3.502	3.128	.280	3.496	338	TP-035
3-5/8	3-1/4	3/16	3.627 ±.002	3.253 +.003-.001	.280	3.621 ±.002	339	TP-036
3-3/4	3-3/8	3/16	3.752	3.378	.280	3.746	340	TP-037
3-7/8	3-1/2	3/16	3.877	3.503	.280	3.871	341	TP-038
4	3-5/8	3/16	4.002	3.628	.280	3.996	342	TP-039
4-1/8	3-3/4	3/16	4.127	3.753	.280	4.121	343	TP-040

## Piston T - Seal

(Inch Size)

Nominal Size			Bore Dia.	Groove Dia.	Groove Width	Piston Dia.	O-Ring No.	Reference (For ordering)
OD	ID	S	D	d	L	d1		
4-1/4	3-7/8	3/16	4.252 ±.002	3.878 +.003-.001	.280 +.005-.001	4.246 ±.002	344	TP-041
4-3/8	4	3/16	4.377	4.003	.280	4.371	345	TP-042
4-1/2	4-1/8	3/16	4.502	4.128	.280	4.496	346	TP-043
4-5/8	4-1/4	3/16	4.627	4.253	.280	4.621	347	TP-044
4-3/4	4-3/8	3/16	4.752	4.378	.280	4.746	348	TP-045
4-7/8	4-1/2	3/16	4.877	4.503	.280	4.871	349	TP-046
5	4-5/8	3/16	5.003	4.629	.280	4.997	350	TP-047
5-1/8	4-5/8	1/4	5.128	4.649	.366	5.122	426	TP-048
5-1/4	4-3/4	1/4	5.253	4.774	.366	5.247	427	TP-049
5-3/8	4-7/8	1/4	5.378	4.889	.366	5.372	428	TP-050
5-1/2	5	1/4	5.503	5.024	.366	5.497	429	TP-051
5-5/8	5-1/8	1/4	5.628	5.149	.366	5.622	430	TP-052
5-3/4	5-1/4	1/4	5.753	5.274	.366	5.747	431	TP-053
5-7/8	5-3/8	1/4	5.878	5.399	.366	5.874	432	TP-054
6	5-1/2	1/4	6.003	5.524	.366	5.997	433	TP-055
6-1/8	5-5/8	1/4	6.128	5.649	.366	6.122	434	TP-056
6-1/4	5-3/4	1/4	6.253	5.774	.366	6.247	435	TP-057
6-1/2	6	1/4	6.503 ±.003	6.024 +.004-.002	.366	6.495 ±.003	437	TP-058
6-3/4	6-1/4	1/4	6.753	6.274	.366	6.745	438	TP-059
7	6-1/2	1/4	7.003	6.524	.366	6.995	439	TP-060
7-1/4	6-3/4	1/4	7.253	6.774	.366	7.245	440	TP-061
7-1/2	7	1/4	7.503	7.024	.366	7.495	441	TP-062
7-3/4	7-1/4	1/4	7.753	7.274	.366	7.745	442	TP-063
8	7-1/2	1/4	8.003	7.524	.366	7.995	443	TP-064
8-1/4	7-3/4	1/4	8.253	7.774	.366	8.245	444	TP-065
8-1/2	8	1/4	8.503	8.024	.366	8.495	445	TP-066
9	8-1/2	1/4	9.003	8.524	.366	8.995	446	TP-067
9-1/2	9	1/4	9.503	9.024	.366	9.495	447	TP-068
10	9-1/2	1/4	10.003	9.524	.366	9.995	448	TP-069
10-1/2	10	1/4	10.503	10.024	.366	10.495	449	TP-070
11	10-1/2	1/4	11.003	10.524	.366	10.995	450	TP-071
11-1/2	11	1/4	11.503	11.021	.366	11.495	451	TP-072
12	11-1/2	1/4	12.003	11.524	.366	11.995	452	TP-073
14	13-1/2	1/4	14.003	13.524	.366	13.995	456	TP-077
15-1/2	15	1/4	15.503	15.024	.366	15.495	459	TP-080
16	15-1/2	1/4	16.003	15.524	.366	15.995	460	TP-081
17	16-1/2	1/4	17.003	16.524	.366	16.995	462	TP-083