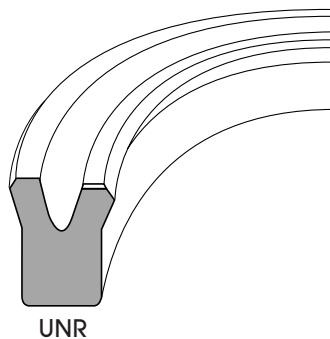


Rod Seals

UNR

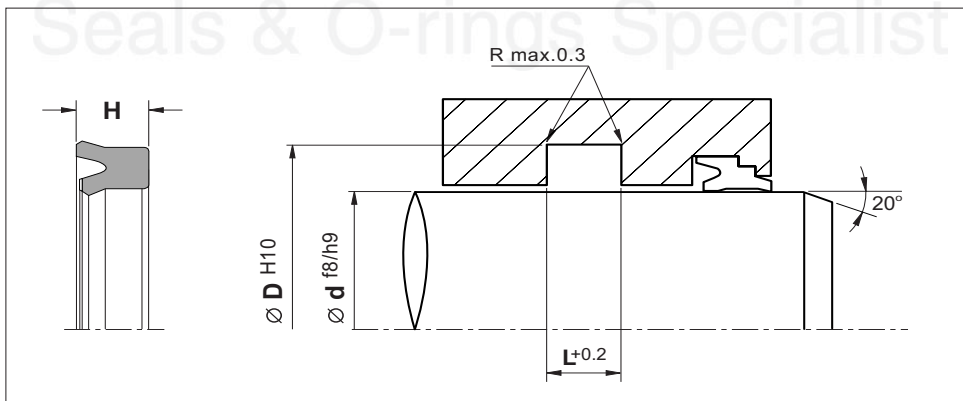
(Metric Size)



Material	Pressure (Bar)	Temp. (°c)	Speed (m/s)
PU	400	-40 +95	0.6

- Good pressure-adapted sealing effect.
- Good resistance to clearance extrusion.
- Simple installation.
- Lower friction in the low pressure range compared with double-lipped version.

Installation Recommendation



Surface roughness	Ra	Rt
-------------------	----	----

Sliding surface	≤ 0.3 μm	≤ 4 μm
Surface of housing	≤ 1.8 μm	≤ 10 μm
Sides of housing	≤ 3.0 μm	≤ 16 μm

Rod U-Cup

(Metric Size)

Rod Dia.	Groove Dia.	Seal Height	Groove Width.	Reference	Reference	Reference
d	D	H	L			
6.0	12.0	5.5	5.8	RS 006-012/1		
6.0	14.0	5.7	6.3	RS 006-014		
8.0	14.4	9.5	10.5	RS 008-014.4/1		
8.0	16.0	5.7	6.3	RS 008-016		
8.0	18.0	8.0	9.0	RS 008-018/1		
10.0	18.0	5.7	6.3	RS 010-018	UC 010-018-05.8 TTI	
10.0	18.0	5.8	6.3			
10.0	20.0	7.2	8.0	RS 010-020		
10.0	20.0	8.0	9.0	RS 010-020/1		
12.0	18.0	5.8	6.3		UC 012-018-05.8 TTI	
12.0	20.0	5.7	6.4	RS 012-020		
12.0	20.0	5.8	6.3		UC 012-020-05.8 TTI	
12.0	22.0	7.0	8.0		UC 012-022-07 TTI	
12.0	22.0	7.2	8.0	RS 012-022		
12.0	22.0	8.0	9.0	RS 012-022/1		
14.0	22.0	5.7	6.3	RS 014-022		
14.0	22.0	5.8	6.3		UC 014-022-05.8 TTI	
14.0	24.0	7.0	8.0		UC 014-024-07 TTI	
14.0	24.0	7.2	8.0	RS 014-024		
14.0	24.0	8.0	9.0	RS 014-024/1		
15.0	23.0	5.7	6.3	RS 015-023		
15.0	23.0	5.8	6.3		UC 015-023-05.8 TTI	
15.0	25.0	5.7	6.3	RS 015-025/1		
16.0	20.6	3.3	3.6	RS 016-020.6		
16.0	22.0	5.5	6.0		UC 016-022-05.5 TTI	
16.0	24.0	5.7	6.3	RS 016-024		
16.0	24.0	5.8	6.3		UC 016-024-05.8 TTI	
16.0	24.0	6.2	7.0	RS 016-024/1		
16.0	26.0	7.0	8.0		UC 016-026-07 TTI	
16.0	26.0	7.2	8.0	RS 016-026		
16.0	26.0	8.0	9.0	RS 016-026/1		
16.0	26.0	9.0	10.0	RS 016-026/2		
18.0	24.0	4.7	5.2	RS 018-024		UHR-018
18.0	26.0	5.2	5.7			
18.0	26.0	5.7	6.3	RS 018-026		
18.0	26.0	5.8	6.3		UC 018-026-05.8 TTI	
18.0	26.0	8.0	9.0	RS 018-026/1		
18.0	28.0	7.0	8.0		UC 018-028-07 TTI	
18.0	28.0	7.2	8.0	RS 018-028		
18.0	28.0	8.0	9.0	RS 018-028/1		
20.0	26.0	5.0	5.5		UC 020-026-05 TTI	
20.0	26.0	5.0	6.0	RS 020-026/1		UHR-020
20.0	28.0	5.2	5.7			
20.0	28.0	5.7	6.3	RS 020-028		
20.0	28.0	5.8	6.3		UC 020-028-05.8 TTI	

* For order processing, the computer code will be e.g. UC 006-012-05.5 RS, UC 010-018-05.8 TTI

Rod U-Cup

(Metric Size)

Rod Dia.	Groove Dia.	Seal Height	Groove Width.	Reference	Reference	Reference
d	D	H	L			
20.0	28.0	6.2	7.0	RS 020-028/1		
20.0	28.0	7.0	8.0		UC 020-028-07 TTI	
20.0	28.0	7.2	8.0	RS 020-028/2		
20.0	30.0	7.0	8.0		UC 020-030-07 TTI	
20.0	30.0	7.2	8.0	RS 020-030		
20.0	30.0	8.0	9.0	RS 020-030/2		
20.0	30.0	10.0	11.0	RS 020-030/1	UC 020-030-10 TTI	
20.0	35.0	10.0	11.0	RS 020-035		
22.0	30.0	5.7	6.3	RS 022-030		
22.0	30.0	5.8	6.3		UC 022-030-05.8 TTI	
22.0	32.0	7.0	8.0		UC 022-032-07 TTI	
22.0	32.0	7.2	8.0	RS 022-032		
22.0	32.0	8.0	9.0	RS 022-032/1		
22.0	32.0	10.0	11.0	RS 022-032/2	UC 022-032-10 TTI	
22.4	30.0	5.2	5.7			UHR-022.4
24.0	34.0	7.2	8.0	RS 024-034		
24.0	34.0	8.5	9.5	RS 024-034/1		
25.0	33.0	5.7	6.3	RS 025-033		
25.0	33.0	5.8	6.3		UC 025-033-05.8 TTI	
25.0	33.0	6.3	7.0	RS 025-033/3		
25.0	33.0	7.0	8.0		UC 025-033-07 TTI	
25.0	33.0	7.2	8.0	RS 025-033/1		
25.0	33.0	10.0	11.0	RS 025-033/2		
25.0	35.0	7.0	8.0		UC 025-035-07 TTI	
25.0	35.0	7.2	8.0	RS 025-035		
25.0	35.0	8.0	9.0	RS 025-035/2	UC 025-035-08 TTI	
25.0	35.0	10.0	11.0	RS 025-035/1	UC 025-035-10 TTI	
25.0	38.0	9.0	10.0	RS 025-038/1		
25.0	40.0	10.0	11.0	RS 025-040		
28.0	35.5	5.2	5.7			UHR-028
28.0	36.0	5.7	6.3	RS 028-036		
28.0	36.0	5.8	6.3		UC 028-036-05.8 TTI	
28.0	38.0	7.0	8.0		UC 028-038-07 TTI	
28.0	38.0	7.2	8.0	RS 028-038		
28.0	38.0	8.0	9.0	RS 028-038/1		
28.0	38.0	10.0	11.0	RS 028-038/2		
28.0	40.0	8.5	9.5	RS 028-040		
28.0	40.0	10.0	11.0	RS 028-040/1		
28.0	43.0	11.5	12.5	RS 028-043		
29.0	35.0	5.6	6.3	RS 029-035		
30.0	38.0	5.7	6.3	RS 030-038		
30.0	38.0	5.8	6.3		UC 030-038-05.8 TTI	
30.0	38.0	8.0	9.0	RS 030-038/1	UC 030-038-08 TTI	
30.0	40.0	5.7	6.3	RS 030-040/3		
30.0	40.0	7.0	8.0		UC 030-040-07 TTI	

* For order processing, the computer code will be e.g. UC 006-012-05.5 RS, UC 010-018-05.8 TTI

Rod U-Cup

(Metric Size)

Rod Dia.	Groove Dia.	Seal Height	Groove Width.	Reference	Reference	Reference
d	D	H	L			
30.0	40.0	7.2	8.0	RS 030-040		
30.0	40.0	9.5	10.5	RS 030-040/2		
30.0	40.0	10.0	11.0	RS 030-40/1	UC 030-040-10 TTI	
30.0	43.0	9.0	10.0	RS 030-043		
30.0	45.0	8.0	9.0	RS 030-045/1		
30.0	45.0	10.0	11.0	RS 030-045		
32.0	40.0	5.7	6.3	RS 032-040		
32.0	40.0	5.8	6.3		UC 032-040-05.8 TTI	
32.0	40.0	8.0	9.0	RS 032-040/1	UC 032-040-08 TTI	
32.0	42.0	7.0	8.0		UC 032-042-07 TTI	
32.0	42.0	7.2	8.0	RS 032-042		
32.0	42.0	10.0	11.0	RS 032-042/1	UC 032-042-10 TTI	
32.0	42.5	8.0	9.0	RS 032-042.5/1		
32.0	45.0	9.5	10.5	RS 032-045/1		
32.0	47.0	10.0	11.0	RS 032-047/1		
33.0	43.0	10.0	11.0	RS 033-043/1		
35.0	43.0	5.7	6.3	RS 035-043		
35.0	43.0	5.8	6.3		UC 035-043-05.8 TTI	
35.0	43.0	8.0	9.0	RS 035-043/1	UC 035-043-08 TTI	
35.0	45.0	7.0	8.0		UC 035-045-07 TTI	
35.0	45.0	7.2	8.0	RS 035-045		
35.0	45.0	10.0	11.0	RS 035-045/1	UC 035-045-10 TTI	
35.0	45.0	12.5	13.5	RS 035-045/2		
35.0	46.0	8.0	9.0	RS 035-046		
35.0	46.0	9.0	10.0	RS 035-046/1		
35.0	50.0	10.0	11.0	RS 035-050		
35.0	55.0	12.0	13.0	RS 035-055		
35.5	45.0	6.5	7.0			UHR-035.5
36.0	44.0	5.8	6.3		UC 036-044-05.8 TTI	
36.0	46.0	7.0	8.0		UC 036-046-07 TTI	
36.0	46.0	7.2	8.0	RS 036-046		
36.0	46.0	10.0	11.0	RS 036-046/1	UC 036-046-10 TTI	
36.0	48.0	7.0	8.0	RS 036-048/1		
36.0	48.0	8.0	9.0	RS 036-048		
36.0	51.0	10.0	11.0	RS 036-051		
36.0	51.0	11.5	12.5	RS 036-051/1		
37.0	45.0	5.7	6.3	RS 037-045		
38.0	44.5	4.7	5.3	RS 038-044.5		
38.0	45.0	5.0	5.5	RS 038-045		
38.0	45.0	6.2	7.0	RS 038-045/1		
40.0	48.0	5.7	6.3	RS 040-048		
40.0	48.0	5.8	6.3		UC 040-048-05.8 TTI	
40.0	48.0	8.0	9.0		UC 040-048-08 TTI	
40.0	49.5	9.5	10.5	RS 040-049.5/1		
40.0	50.0	6.5	7.0			UHR-040

* For order processing, the computer code will be e.g. UC 006-012-05.5 RS, UC 010-018-05.8 TTI

Rod U-Cup

(Metric Size)

Rod Dia.	Groove Dia.	Seal Height	Groove Width.	Reference	Reference	Reference
d	D	H	L			
40.0	50.0	7.0	8.0		UC 040-050-07 TTI	
40.0	50.0	7.2	8.0	RS 040-050		
40.0	50.0	10.0	11.0	RS 040-050/1	UC 040-050-10 TTI	
40.0	50.0	12.5	13.5	RS 040-050/2		
40.0	52.0	8.0	9.0	RS 040-052		
40.0	55.0	10.0	11.0	RS 040-055		
40.0	55.0	11.5	12.5	RS 040-055/1		
40.0	60.0	12.0	13.0	RS 040-060		
42.0	62.0	10.0	11.0	RS 042-062/1		
42.0	62.0	12.0	13.0	RS 042-062		
45.0	53.0	5.7	6.3	RS 045-053		
45.0	53.0	5.8	6.3		UC 045-053-05.8 TTI	
45.0	53.0	8.0	9.0		UC 045-053-08 TTI	
45.0	53.0	10.0	11.0	RS 045-053/2		
45.0	53.0	12.0	13.0	RS 045-053/1		
45.0	55.0	6.5	7.0			UHR-045A
45.0	55.0	7.0	8.0		UC 045-055-07 TTI	
45.0	55.0	7.2	8.0	RS 045-055		
45.0	55.0	10.0	11.0	RS 045-055/1	UC 045-055-10 TTI	
45.0	56.0	7.5	8.0			UHR-045
45.0	57.7	9.5	10.5	RS 045-057.7/1		
45.0	58.0	9.0	10.0	RS 045-058/1		
45.0	60.0	10.0	11.0	RS 045-060		
45.0	60.0	11.5	12.5	RS 045-060/1		
45.0	65.0	10.0	11.0	RS 045-065/2		
45.0	65.0	12.0	13.0	RS 045-065		
45.0	65.0	13.5	14.5	RS 045-065/1		
46.0	56.0	7.2	8.0	RS 046-056		
50.0	60.0	6.5	7.0			UHR-050
50.0	60.0	7.0	8.0		UC 050-060-07 TTI	
50.0	60.0	7.2	8.0	RS 050-060		
50.0	60.0	10.0	11.0	RS 050-060/1	UC 050-060-10 TTI	
50.0	60.0	12.0	13.0	RS 050-060/2	UC 050-060-12 TTI	
50.0	62.0	8.0	9.0	RS 050-062		
50.0	62.7	9.5	10.5	RS 050-062.7/1		
50.0	65.0	10.0	11.0	RS 050-065	UC 050-065-10 TTI	
50.0	65.0	11.5	12.5	RS 050-065/1	UC 050-065-11.5 TTI	
50.0	68.0	9.0	10.0	RS 050-068/1		
50.0	70.0	10.0	11.0	RS 050-070/1		
50.0	70.0	12.0	13.0	RS 050-070		
50.0	70.0	13.5	14.5	RS 050-070/2		
55.0	63.0	12.0	13.0	RS 055-063/1		
55.0	65.0	7.0	8.0		UC 055-065-07 TTI	
55.0	65.0	7.2	8.0	RS 055-065		
55.0	65.0	10.0	11.0	RS 055-065/1	UC 055-065-10 TTI	

* For order processing, the computer code will be e.g. UC 006-012-05.5 RS, UC 010-018-05.8 TTI

Rod U-Cup

(Metric Size)

Rod Dia.	Groove Dia.	Seal Height	Groove Width.	Reference	Reference	Reference
d	D	H	L			
55.0	65.0	12.0	13.0	RS 055-065/2	UC 055-065-12 TTI	
55.0	65.0	13.5	14.5	RS 055-065/3		
55.0	67.0	10.0	11.0	RS 055-067/1		
55.0	70.0	10.0	11.0	RS 055-070	UC 055-070-10 TTI	
55.0	70.0	12.0	13.0	RS 055-070/1	UC 055-070-12 TTI	
55.0	75.0	12.0	13.0	RS 055-075		
55.0	75.0	13.5	14.5	RS 055-075/1		
56.0	66.0	6.5	7.0			UHR-056
56.0	66.0	10.0	11.0	RS 056-066/1	UC 056-066-10 TTI	
56.0	71.0	10.0	11.0	RS 056-071	UC 056-071-10 TTI	
56.0	71.0	11.5	12.5	RS 056-071/1	UC 056-071-11.5 TTI	
56.0	76.0	12.0	13.0	RS 056-076		
56.0	76.0	13.5	14.5	RS 056-076/1		
56.0	76.0	15.0	16.0	RS 056-076/2		
60.0	70.0	7.0	8.0		UC 060-070-07 TTI	
60.0	70.0	7.2	8.0	RS 060-070		
60.0	70.0	10.0	11.0	RS 060-070/2	UC 060-070-10 TTI	
60.0	70.0	12.0	13.0	RS 060-070/1	UC 060-070-12 TTI	
60.0	72.0	8.0	9.0	RS 060-072		
60.0	72.0	9.0	10.0	RS 060-072/1		
60.0	75.0	10.0	11.0	RS 060-075	UC 060-075-10 TTI	
60.0	75.0	12.0	13.0	RS 060-075/1	UC 060-075-12 TTI	
60.0	77.0	11.0	12.0	RS 060-077		
60.0	80.0	12.0	13.0	RS 060-080		
60.0	80.0	13.5	14.5	RS 060-080/1		
61.0	69.0	7.5	8.5	RS 061-069/1		
62.0	74.0	13.0	14.0	RS 062-074/1		
63.0	73.0	6.5	7.0			UHR-063
63.0	73.0	10.0	11.0	RS 063-073/1	UC 063-073-10 TTI	
63.0	73.0	12.0	13.0	RS 063-073/2		
63.0	78.0	10.0	11.0	RS 063-078	UC 063-078-10 TTI	
63.0	78.0	11.5	12.5	RS 063-078/2	UC 063-078-11.5 TTI	
63.0	78.0	12.0	13.0	RS 063-078/1		
63.0	83.0	12.0	13.0	RS 063-083		
63.0	83.0	13.5	14.5	RS 063-083/1		
63.0	83.0	15.0	16.0	RS 063-083/2		
65.0	75.0	10.0	11.0	RS 065-075/3	UC 065-075-10 TTI	
65.0	75.0	12.0	13.0	RS 065-075/1	UC 065-075-12 TTI	
65.0	75.0	13.5	14.5	RS 065-075/2		
65.0	77.0	9.0	10.0	RS 065-077/1		
65.0	80.0	10.0	11.0	RS 065-080	UC 065-080-10 TTI	
65.0	80.0	12.0	13.0	RS 065-080/1	UC 065-080-12 TTI	
65.0	85.0	12.0	13.0	RS 065-085		
65.0	85.0	13.5	14.5	RS 065-085/1		
67.0	77.0	6.5	7.0			UHR-067

* For order processing, the computer code will be e.g. UC 006-012-05.5 RS, UC 010-018-05.8 TTI

Rod U-Cup

(Metric Size)

Rod Dia.	Groove Dia.	Seal Height	Groove Width.	Reference	Reference	Reference
d	D	H	L			
70.0	80.0	6.0	6.5	RS 070-080/3		
70.0	80.0	7.0	8.0		UC 070-080-07 TTI	
70.0	80.0	7.2	8.0	RS 070-080		
70.0	80.0	10.0	11.0	RS 070-080/2	UC 070-080-10 TTI	
70.0	80.0	12.0	13.0	RS 070-080/1	UC 070-080-12 TTI	
70.0	85.0	10.0	11.0	RS 070-085	UC 070-085-10 TTI	
70.0	85.0	11.5	12.5	RS 070-085/2	UC 070-085-11.5 TTI	
70.0	85.0	12.0	13.0	RS 070-085/1		
70.0	90.0	12.0	13.0	RS 070-090		
70.0	90.0	13.5	14.5	RS 070-090/1		
70.0	90.0	15.0	16.0	RS 070-090/2		
71.0	80.0	6.5	7.0			UHR-071
73.0	82.5	7.2	8.0	RS 073-082.5		
75.0	85.0	7.0	8.0		UC 075-085-07 TTI	
75.0	85.0	7.2	8.0	RS 075-085		
75.0	85.0	12.0	13.0	RS 075-085/1	UC 075-085-12 TTI	
75.0	90.0	10.0	11.0	RS 075-090	UC 075-090-10 TTI	
75.0	90.0	12.0	13.0	RS 075-090/1	UC 075-090-12 TTI	
75.0	95.0	12.0	13.0	RS 075-095		
75.0	95.0	13.5	14.5	RS 075-095/1		
76.0	84.0	7.5	8.5	RS 076-084/1		
80.0	90.0	6.5	7.0			UHR-080
80.0	90.0	7.0	8.0		UC 080-090-07 TTI	
80.0	90.0	7.2	8.0	RS 080-090		
80.0	90.0	12.0	13.0	RS 080-090/2	UC 080-090-12 TTI	
80.0	90.0	14.0	15.0	RS 080-090/1		
80.0	95.0	10.0	11.0	RS 080-095	UC 080-095-10 TTI	
80.0	95.0	11.5	12.5	RS 080-095/1	UC 080-095-11.5 TTI	
80.0	95.0	12.0	13.0	RS 080-095/2		
80.0	100.0	12.0	13.0	RS 080-100		
80.0	100.0	13.5	14.5	RS 080-100/1		
80.0	100.0	15.0	16.0	RS 080-100/2	UC 080-100-15 TTI	
85.0	95.0	7.0	8.0		UC 085-095-07 TTI	
85.0	95.0	7.2	8.0	RS 085-095		
85.0	95.0	12.0	13.0		UC 085-095-12 TTI	
85.0	100.0	9.5	10.0			UHR-085
85.0	100.0	11.0	12.0	RS 085-100/1		
85.0	100.0	11.5	12.5	RS 085-100/3	UC 085-100-11.5 TTI	
85.0	100.0	12.0	13.0	RS 085-100/2		
85.0	105.0	12.0	13.0	RS 085-105		
85.0	105.0	13.5	14.5	RS 085-105/1		
90.0	100.0	11.5	12.5	RS 090-100/1		
90.0	105.0	8.5	9.5	RS 090-105/2		
90.0	105.0	9.5	10.0			UHR-090
90.0	105.0	9.5	10.5	RS 090-105/4		

* For order processing, the computer code will be e.g. UC 006-012-05.5 RS, UC 010-018-05.8 TTI

Rod U-Cup

(Metric Size)

Rod Dia.	Groove Dia.	Seal Height	Groove Width.	Reference	Reference	Reference
d	D	H	L			
90.0	105.0	11.5	12.5	RS 090-105/3	UC 090-105-11.5 TTI	
90.0	105.0	12.0	13.0	RS 090-105/1		
90.0	110.0	12.0	13.0	RS 090-110		
90.0	110.0	15.0	16.0	RS 090-110/1	UC 090-110-15 TTI	
91.0	99.0	7.5	8.5	RS 091-099/1		
93.0	104.0	10.0	11.0	RS 093-104/1		
95.0	105.0	10.0	11.0	RS 095-105/1	UC 095-105-10 TTI	
95.0	115.0	12.0	13.0	RS 095-115		
100.0	110.0	11.5	12.5		UC 100-110-11.5 TTI	
100.0	110.0	14.0	15.0	RS 100-110/1		
100.0	113.0	12.5	13.5	RS 100-113/1		
100.0	115.0	9.5	10.0			UHR-100
100.0	115.0	10.5	11.5	RS 100-115/2		
100.0	115.0	12.0	13.0	RS 100-115/1	UC 100-115-12 TTI	
100.0	120.0	12.0	13.0	RS 100-120		
100.0	120.0	13.5	14.5	RS 100-120/1		
100.0	120.0	15.0	16.0	RS 100-120/2	UC 100-120-15 TTI	
100.0	125.0	19.0	20.0	RS 100-125		
105.0	115.0	10.0	11.0	RS 105-115/1	UC 105-115-10 TTI	
105.0	115.0	11.5	12.5	RS 105-115/2	UC 105-115-11.5 TTI	
105.0	115.0	13.5	14.5	RS 105-115/3		
105.0	125.0	12.0	13.0	RS 105-125		
110.0	125.0	11.0	12.0	RS 110-125/1		
110.0	125.0	15.0	16.0	RS 110-125/2		
110.0	130.0	12.0	13.0	RS 110-130	UC 110-130-12 TTI	
110.0	130.0	15.0	16.0	RS 110-130/1	UC 110-130-15 TTI	
110.0	135.0	19.0	20.0	RS 110-135		
112.0	125.0	9.0	9.5			UHR-112
115.0	135.0	12.0	13.0	RS 115-135	UC 115-135-12 TTI	
120.0	130.0	7.2	8.0	RS 120-130/1		
120.0	130.0	11.5	12.5	RS 120-130/2	UC 120-130-11.5 TTI	
120.0	132.0	10.0	11.0	RS 120-132/1		
120.0	135.0	11.5	12.5	RS 120-135/1	UC 120-135-11.5 TTI	
120.0	135.0	15.0	16.0	RS 120-135/2		
120.0	140.0	12.0	13.0	RS 120-140		
120.0	140.0	15.0	16.0	RS 120-140/1	UC 120-140-15 TTI	
125.0	140.0	9.5	10.0			UHR-125
125.0	145.0	12.0	13.0	RS 125-145	UC 125-145-12 TTI	
125.0	145.0	15.0	16.0	RS 125-145/1	UC 125-145-15 TTI	
125.0	150.0	14.0	15.0	RS 125-150		
125.0	150.0	19.0	20.0	RS 125-150/1	UC 125-150-19 TTI	
125.0	155.0	18.0	19.0	RS 125-155		
127.0	139.7	9.2	10.0	RS 127-139.7/1		
130.0	140.0	7.2	8.0	RS 130-140		
130.0	145.0	12.0	13.0	RS 130-145		

* For order processing, the computer code will be e.g. UC 006-012-05.5 RS, UC 010-018-05.8 TTI

Rod U-Cup

(Metric Size)

Rod Dia.	Groove Dia.	Seal Height	Groove Width.	Reference	Reference	Reference
d	D	H	L			
130.0	145.0	14.0	15.0	RS 130-145/2		
130.0	145.0	15.0	16.0	RS 130-145/1	UC 130-145-15 TTI	
130.0	150.0	12.0	13.0	RS 130-150	UC 130-150-12 TTI	
130.0	150.0	15.0	16.0	RS 130-150/1	UC 130-150-15 TTI	
140.0	150.0	11.5	12.5	RS 140-150/1		
140.0	155.0	9.5	10.0			UHR-140
140.0	155.0	12.0	13.0	RS 140-155/1		
140.0	160.0	12.0	13.0	RS 140-160	UC 140-160-12 TTI	
140.0	160.0	13.5	14.5	RS 140-160/1		
140.0	160.0	15.0	16.0	RS 140-160/2	UC 140-160-15 TTI	
140.0	165.0	19.0	20.0	RS 140-165	UC 140-165-19 TTI	
143.0	151.0	13.5	14.5	RS 143-151		
145.0	157.7	9.0	10.0	RS 145-157.7/1		
147.0	160.0	12.0	13.0	RS 147-160/1		
150.0	170.0	12.0	13.0	RS 150-170	UC 150-170-12 TTI	
150.0	170.0	13.5	14.5	RS 150-170/1		
150.0	170.0	15.0	16.0	RS 150-170/2	UC 150-170-15 TTI	
160.0	175.0	9.5	10.0			UHR-160
160.0	180.0	12.0	13.0	RS 160-180	UC 160-180-12 TTI	
160.0	180.0	15.0	16.0	RS 160-180/1	UC 160-180-15 TTI	
160.0	185.0	16.0	17.0			UNR-160
160.0	185.0	19.0	20.0	RS 160-185		
165.0	180.0	9.5	10.0			UHR-165
165.0	195.0	20.0	21.0	RS 165-195		
170.0	190.0	12.0	13.0	RS 170-190	UC 170-190-12 TTI	
170.0	190.0	15.0	16.0	RS 170-190/1	UC 170-190-15 TTI	
170.0	195.0	16.0	17.0			UNR-170
180.0	200.0	12.0	13.0	RS 180-200	UC 180-200-12 TTI	
180.0	200.0	12.5	13.0			UHR-180
180.0	200.0	15.0	16.0	RS 180-200/1	UC 180-200-15 TTI	
180.0	200.0	19.0	20.0	RS 180-200/2	UC 180-200-19 TTI	
180.0	205.0	16.0	17.0			UNR-180
190.0	210.0	12.0	13.0	RS 190-210	UC 190-210-12 TTI	
190.0	210.0	15.0	16.0	RS 190-210/1	UC 190-210-15 TTI	
190.0	215.0	16.0	17.0			UNR-190
198.0	207.6	7.3	7.5	RS 198-207.6		
200.0	212.0	15.0	16.0	RS 200-212/1		
200.0	220.0	12.0	13.0	RS 200-220		
200.0	220.0	12.5	13.0			UHR-200
200.0	220.0	15.0	16.0	RS 200-220/1	UC 200-220-15 TTI	
200.0	225.0	16.0	17.0			UNR-200
200.0	225.0	19.0	20.0	RS 200-225		
210.0	230.0	12.0	13.0	RS 210-230		
210.0	230.0	14.0	15.0	RS 210-230/1		
210.0	230.0	15.0	16.0	RS 210-230/2	UC 210-230-15 TTI	

* For order processing, the computer code will be e.g. UC 006-012-05.5 RS, UC 010-018-05.8 TTI

Rod U-Cup

(Metric Size)

Rod Dia.	Groove Dia.	Seal Height	Groove Width.	Reference	Reference	Reference
d	D	H	L			
210.0	235.0	24.5	26.0	RS 210-235/1		
212.0	237.0	19.0	20.0			UNR-212
220.0	240.0	12.0	13.0	RS 220-240	UC 220-240-12 TTI	
220.0	240.0	15.0	16.0	RS 220-240/1	UC 220-240-15 TTI	
220.0	250.0	18.0	19.0	RS 220-250		
224.0	249.0	19.0	20.0			UNR-224
230.0	250.0	12.0	13.0	RS 230-250	UC 230-250-12 TTI	
230.0	255.0	19.0	20.0			UNR-230
230.0	260.0	23.7	25.0	RS 230-260		
236.0	261.0	19.0	20.0			UNR-236
240.0	260.0	12.0	13.0	RS 240-260	UC 240-260-12 TTI	
240.0	260.0	15.0	16.0	RS 240-260/1	UC 240-260-15 TTI	
240.0	270.0	18.0	19.0	RS 240-270	UC 240-270-18 TTI	
250.0	270.0	12.0	13.0	RS 250-270	UC 250-270-12 TTI	
250.0	270.0	15.0	16.0	RS 250-270/1	UC 250-270-15 TTI	
250.0	275.0	19.0	20.0			UNR-250
250.0	280.0	21.5	23.0		UC 250-280-21.5 TTI	
250.0	280.0	22.0	23.0	RS 250-280		
265.0	295.0	19.0	20.0			UNR-265
270.0	300.0	18.0	19.0	RS 270-300	UC 270-300-18 TTI	
270.0	300.0	19.0	20.0			UNR-270
280.0	305.0	15.0	16.0	RS 280-305/1		
280.0	310.0	19.0	20.0			UNR-280
280.0	310.0	23.5	25.0		UC 280-310-23.5 TTI	
280.0	310.0	24.0	25.0	RS 280-310		

* For order processing, the computer code will be e.g. UC 006-012-05.5 RS, UC 010-018-05.8 TTI