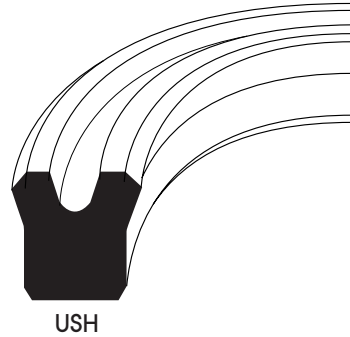


Piston & Rod Seals

USH

(Metric Size)

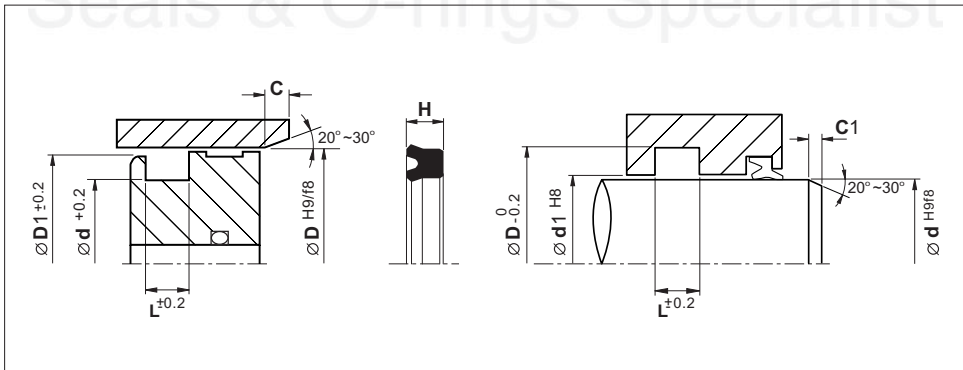


USH

Type	Material	Pressure (Bar)	Temp. (°C)	Speed (m/s)
USH	NBR	140 (210)	-25 +100	1

- Usable either on pistons or rods.
- Fitted in integrated groove.
- Easy installation.
- Long service life.

Installation Recommendation



Surface roughness	Ra	Rt	Chamfers		
Sliding surface	$\leq 0.3 \mu\text{m}$	$\leq 4 \mu\text{m}$	D	C	C1
Surface of housing	$\leq 1.8 \mu\text{m}$	$\leq 10 \mu\text{m}$	< 36	3.0	1.5
Sides of housing	$\leq 3.0 \mu\text{m}$	$\leq 16 \mu\text{m}$	36-95	3.5	3.0
			95-190	4.0	4.0
			190-800	5.0	5.0

Rubber U-Cup

(Metric Size)

Rod/ Groove Dia.	Bore/ Groove Dia.	Seal Height	Groove Width	Reference (For order processing)	Prefix No.	
					NBR	FPM
d	D	H	L			
12.0	20.0	5.0	5.7	USH-12		
14.0	22.0	5.0	5.7	<i>USH-14</i>	CU2692KO	
16.0	24.0	5.0	5.7	<i>USH-16</i>	CU2548KO	CU2548K2
18.0	26.0	5.0	5.7	<i>USH-18</i>	CU0180KO	CU0180K6
20.0	28.0	5.0	5.7	<i>USH-20</i>	CU0212KO	CU0212K4
22.0	30.0	5.0	5.7	<i>USH-22</i>	CU3017KO	
22.4	30.0	5.0	5.7	<i>USH-22.4</i>	CU0260KO	CU0260K 3
23.5	31.5	5.0	5.7	<i>USH-23.5</i>	CU0267KO	
24.0	32.0	5.0	5.7	USH-24	CU2971KO	
25.0	33.0	5.0	5.7	<i>USH-25</i>	CU0276KO	CU0276K3
27.0	35.0	5.0	5.7	USH-27	CU3187KO	
28.0	35.5	5.0	5.7	<i>USH-28</i>	CU0320KO	CU0320K2
28.0	36.0	5.0	5.7	USH-28A	CU2536KO	
30.0	40.0	6.0	7.0	<i>USH-30</i>	CU0357KO	CU0357K6
31.5	41.5	6.0	7.0	<i>USH-31.5</i>	CU0382KO	CU0382K1
32.0	42.0	6.0	7.0	<i>USH-32</i>	CU2819KO	
35.0	45.0	6.0	7.0	<i>USH-35</i>	CU0424KO	CU0424K3
35.5	45.0	6.0	7.0	<i>USH-35.5</i>	CU0451KO	CU0451K1
35.5	45.5	6.0	7.0	USH-35.5A	CU3253KO	
36.0	46.0	6.0	7.0	<i>USH-36</i>	CU3040KO	
40.0	50.0	6.0	7.0	<i>USH-40</i>	CU0497KO	CU0497K3
45.0	55.0	6.0	7.0	<i>USH-45</i>	CU0567KO	CU0567K4
45.0	56.0	7.0	8.0	<i>USH-45A</i>	CU0572KO	CU0572K1
50.0	60.0	6.0	7.0	<i>USH-50</i>	CU0619KO	CU0619K4
53.0	63.0	6.0	7.0	<i>USH-53</i>	CU0679KO	CU0679K4
55.0	65.0	6.0	7.0	<i>USH-55</i>	CU0694KO	
56.0	66.0	6.0	7.0	<i>USH-56</i>	CU0722KO	CU0722K2
58.0	68.0	6.0	7.0	USH-58	CU3255KO	
60.0	70.0	6.0	7.0	<i>USH-60</i>	CU0746KO	CU0746K3
60.0	71.0	7.0	8.0	<i>USH-60A</i>	CU0750KO	
63.0	73.0	6.0	7.0	<i>USH-63</i>	CU0786KO	CU0786K2
65.0	75.0	6.0	7.0	<i>USH-65</i>	CU0809KO	CU0809K2
67.0	77.0	6.0	7.0	<i>USH-67</i>	CU0828KO	
70.0	80.0	6.0	7.0	<i>USH-70</i>	CU0849KO	CU0849K4
71.0	80.0	6.0	7.0	<i>USH-71</i>	CU0879KO	CU0879K1

USH packing shown in italic-bold letter is also available in FPM material.

Rubber U-Cup

(Metric Size)

Rod/ Groove Dia.	Bore/ Groove Dia.	Seal Height	Groove Width	Reference (For order processing)	Prefix No.	
					NBR	FPM
d	D	H	L			
75.0	85.0	6.0	7.0	<i>USH-75</i>	CU0901KO	
80.0	90.0	6.0	7.0	<i>USH-80</i>	CU0939KO	CU0939K3
85.0	95.0	6.0	7.0	<i>USH-85</i>	CU1959KO	
85.0	100.0	9.0	10.0	<i>USH-85A</i>	CU0984KO	CU0984K4
90.0	105.0	9.0	10.0	<i>USH-90</i>	CU1024KO	CU1024K4
95.0	110.0	9.0	10.0	<i>USH-95</i>	CU1051KO	CU1051K3
98.0	112.0	8.5	9.5	<i>USH-98</i>	CU1067KO	CU1067K2
100.0	115.0	9.0	10.0	<i>USH-100</i>	CU1082KO	CU1082K3
106.0	120.0	8.5	9.5	<i>USH-106</i>	CU1135KO	
110.0	125.0	9.0	10.0	<i>USH-110</i>		
112.0	125.0	8.5	9.5	<i>USH-112</i>	CU1178KO	CU1178K1
112.0	125.0	9.0	10.0	<i>USH-112A</i>	CU1179KO	
118.0	132.0	8.5	9.5	<i>USH-118</i>	CU1204KO	
125.0	140.0	9.0	10.0	<i>USH-125</i>	CU1252KO	CU1252K2
130.0	145.0	9.0	10.0	<i>USH-130</i>	CU1280KO	
132.0	145.0	8.5	9.5	<i>USH-132</i>	CU1291KO	
136.0	150.0	8.5	9.5	<i>USH-136</i>	CU1306KO	CU1306K3
140.0	155.0	9.0	10.0	<i>USH-140</i>	CU1323KO	CU1323K1
145.0	160.0	9.0	10.0	<i>USH-145</i>	CU1343KO	CU1343K2
150.0	165.0	9.0	10.0	<i>USH-150</i>	CU1359KO	CU1359K1
155.0	170.0	9.0	10.0	<i>USH-155</i>	CU3261KO	
160.0	175.0	9.0	10.0	<i>USH-160</i>	CU1406KO	
165.0	180.0	9.0	10.0	<i>USH-165</i>	CU1429KO	CU1429K2
175.0	190.0	9.0	10.0	<i>USH-175</i>	CU3038KO	
180.0	200.0	12.0	13.0	<i>USH-180</i>	CU1483KO	CU1483K2
190.0	210.0	12.0	13.0	<i>USH-190</i>	CU2516KO	
200.0	220.0	12.0	13.0	<i>USH-200</i>	CU1543KO	CU1543K1
204.0	224.0	12.0	13.0	<i>USH-204</i>	CU1563KO	
224.0	244.0	12.0	13.0	<i>USH-224</i>	CU1609KO	
230.0	250.0	12.0	13.0	<i>USH-230</i>	CU1637KO	
240.0	260.0	12.0	13.0	<i>USH-240</i>	CU1657KO	
250.0	270.0	12.0	13.0	<i>USH-250</i>	CU1678KO	
260.0	280.0	14.0	15.0	<i>USH-260</i>	CU1702KO	CU1702K1
280.0	300.0	14.0	15.0	<i>USH-280</i>	CU1962KO	
295.0	315.0	14.0	15.0	<i>USH-295</i>	CU1756KO	

USH packing shown in italic-bold letter is also available in FPM material.