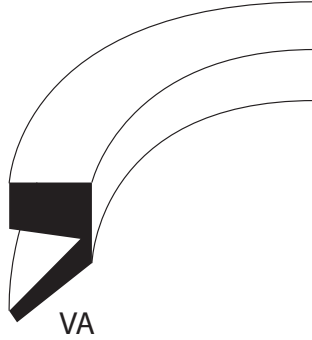
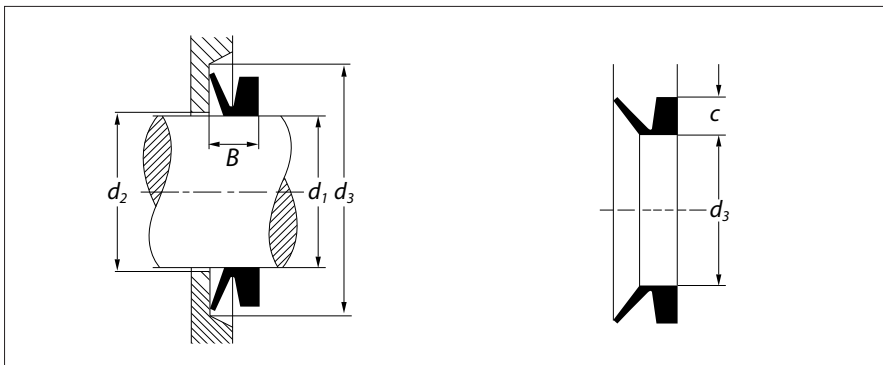


Standard range of V-Rings, Type A



Material	Temp. (°C)
NBR	-60/+115
FPM	-40/+230

Installation Recommendation



Standard range of V-Rings, Type A

Order number	Shaft diameter $d_1$	Profile width B (after installation) $d_1 \text{ min} - d_1 \text{ max}$	Internal ring diameter $d$	Profile height C	Max. hole diameter $d_2$	Minimum housing diameter $d_3$
V 3A	2,7 - 3,5	2,5 $\pm$ 0,3	2,5	1,5	$d_1 + 1$	$d_1 + 4$
V 4A	3,5 - 4,5	3,0 $\pm$ 0,4	3,2	2	$d_1 + 1$	$d_1 + 6$
V 5A	4,5 - 5,5	3,0 $\pm$ 0,4	4	2	$d_1 + 1$	$d_1 + 6$
V 6A	5,5 - 6,5	3,0 $\pm$ 0,4	5	2	$d_1 + 1$	$d_1 + 6$
V 7A	6,5 - 8,0	3,0 $\pm$ 0,4	6	2	$d_1 + 1$	$d_1 + 6$
V 8A	8,0 - 9,5	3,0 $\pm$ 0,4	7	2	$d_1 + 1$	$d_1 + 6$
V 10A	9,5 - 11,5	4,5 $\pm$ 0,6	9	3	$d_1 + 2$	$d_1 + 9$
V 12A	11,5 - 12,5	4,5 $\pm$ 0,6	10,5	3	$d_1 + 2$	$d_1 + 9$
V 13A	12,5 - 13,5	4,5 $\pm$ 0,6	11,7	3	$d_1 + 2$	$d_1 + 9$
V 14A	13,5 - 15,5	4,5 $\pm$ 0,6	12,5	3	$d_1 + 2$	$d_1 + 9$
V 16A	15,5 - 17,5	4,5 $\pm$ 0,6	14	3	$d_1 + 2$	$d_1 + 9$
V 18A	17,5 - 19	4,5 $\pm$ 0,6	16	3	$d_1 + 2$	$d_1 + 9$
V 20A	19 - 21	6,0 $\pm$ 0,8	18	4	$d_1 + 2$	$d_1 + 12$
V 22A	21 - 24	6,0 $\pm$ 0,8	20	4	$d_1 + 2$	$d_1 + 12$
V 25A	24 - 27	6,0 $\pm$ 0,8	22	4	$d_1 + 2$	$d_1 + 12$
V 28A	27 - 29	6,0 $\pm$ 0,8	25	4	$d_1 + 3$	$d_1 + 12$
V 30A	29 - 31	6,0 $\pm$ 0,8	27	4	$d_1 + 3$	$d_1 + 12$
V 32A	31 - 33	6,0 $\pm$ 0,8	29	4	$d_1 + 3$	$d_1 + 12$
V 35A	33 - 36	6,0 $\pm$ 0,8	31	4	$d_1 + 3$	$d_1 + 12$
V 38A	36 - 38	6,0 $\pm$ 0,8	34	4	$d_1 + 3$	$d_1 + 12$
V 40A	38 - 43	7,0 $\pm$ 1,0	36	5	$d_1 + 3$	$d_1 + 15$
V 45A	43 - 48	7,0 $\pm$ 1,0	40	5	$d_1 + 3$	$d_1 + 15$
V 50A	48 - 53	7,0 $\pm$ 1,0	45	5	$d_1 + 3$	$d_1 + 15$
V 55A	53 - 58	7,0 $\pm$ 1,0	49	5	$d_1 + 3$	$d_1 + 15$
V 60A	58 - 63	7,0 $\pm$ 1,0	54	5	$d_1 + 3$	$d_1 + 15$

Standard range of V-Rings, Type A

Order number	Shaft diameter $d_1$	Profile width B (after installation) $d_1$ min - $d_1$ max	Internal ring diameter $d$	Profile height C	Max. hole diameter $d_2$	Minimum housing diameter $d_3$
V 65A	63 - 68	7, 0 ± 1, 0	58	6	$d_1 + 3$	$d_1 + 15$
V 70A	68 - 73	9, 0 ± 1, 2	63	6	$d_1 + 4$	$d_1 + 18$
V 75A	73 - 78	9, 0 ± 1, 2	67	6	$d_1 + 4$	$d_1 + 18$
V 80A	78 - 83	9, 0 ± 1, 2	72	6	$d_1 + 4$	$d_1 + 18$
V 85A	83 - 88	9, 0 ± 1, 2	76	6	$d_1 + 4$	$d_1 + 18$
V 90A	88 - 93	9, 0 ± 1, 2	81	6	$d_1 + 4$	$d_1 + 18$
V 95A	93 - 98	9, 0 ± 1, 2	85	6	$d_1 + 4$	$d_1 + 18$
V 100A	98 - 105	9, 0 ± 1, 2	90	6	$d_1 + 4$	$d_1 + 18$
V 110A	105 - 115	10, 5 ± 1, 5	99	7	$d_1 + 4$	$d_1 + 21$
V 120A	115 - 125	10, 5 ± 1, 5	108	7	$d_1 + 4$	$d_1 + 21$
V 130A	125 - 135	10, 5 ± 1, 5	117	7	$d_1 + 4$	$d_1 + 21$
V 140A	135 - 145	10, 5 ± 1, 5	126	7	$d_1 + 4$	$d_1 + 21$
V 150A	145 - 155	10, 5 ± 1, 5	135	7	$d_1 + 4$	$d_1 + 21$
V 160A	155 - 165	12, 0 ± 1, 8	144	8	$d_1 + 5$	$d_1 + 24$
V 170A	165 - 175	12, 0 ± 1, 8	153	8	$d_1 + 5$	$d_1 + 24$
V 180A	175 - 185	12, 0 ± 1, 8	162	8	$d_1 + 5$	$d_1 + 24$
V 190A	185 - 195	12, 0 ± 1, 8	171	8	$d_1 + 5$	$d_1 + 24$
V 199A	195 - 210	12, 0 ± 1, 8	180	8	$d_1 + 5$	$d_1 + 24$
V 200A	190 - 210	20, 0 ± 4, 0	180	15	$d_1 + 10$	$d_1 + 45$
V 220A	210 - 235	20, 0 ± 4, 0	198	15	$d_1 + 10$	$d_1 + 45$
V 250A	235 - 265	20, 0 ± 4, 0	225	15	$d_1 + 10$	$d_1 + 45$
V 275A	265 - 290	20, 0 ± 4, 0	247	15	$d_1 + 10$	$d_1 + 45$
V 300A	290 - 310	20, 0 ± 4, 0	270	15	$d_1 + 10$	$d_1 + 45$
V 325A	310 - 325	20, 0 ± 4, 0	292	15	$d_1 + 10$	$d_1 + 45$
V 350A	335 - 365	20, 0 ± 4, 0	315	15	$d_1 + 10$	$d_1 + 45$
V 375A	365 - 390	20, 0 ± 4, 0	337	15	$d_1 + 10$	$d_1 + 45$
V 400A	390 - 430	20, 0 ± 4, 0	360	15	$d_1 + 10$	$d_1 + 45$
V 450A	430 - 480	20, 0 ± 4, 0	405	15	$d_1 + 10$	$d_1 + 45$
V 500A	480 - 530	20, 0 ± 4, 0	450	15	$d_1 + 10$	$d_1 + 45$
V 550A	530 - 580	20, 0 ± 4, 0	495	15	$d_1 + 10$	$d_1 + 45$
V 600A	580 - 630	20, 0 ± 4, 0	540	15	$d_1 + 10$	$d_1 + 45$
V 650A	630 - 665	20, 0 ± 4, 0	600	15	$d_1 + 10$	$d_1 + 45$
V 700A	665 - 705	20, 0 ± 4, 0	630	15	$d_1 + 10$	$d_1 + 45$
V 725A	705 - 745	20, 0 ± 4, 0	670	15	$d_1 + 10$	$d_1 + 45$
V 750A	745 - 785	20, 0 ± 4, 0	705	15	$d_1 + 10$	$d_1 + 45$
V 800A	785 - 830	20, 0 ± 4, 0	745	15	$d_1 + 10$	$d_1 + 45$
V 850A	830 - 875	20, 0 ± 4, 0	785	15	$d_1 + 10$	$d_1 + 45$
V 900A	875 - 920	20, 0 ± 4, 0	825	15	$d_1 + 10$	$d_1 + 45$
V 950A	920 - 965	20, 0 ± 4, 0	865	15	$d_1 + 10$	$d_1 + 45$
V 1000A	965 - 1015	20, 0 ± 4, 0	910	15	$d_1 + 10$	$d_1 + 45$

Standard range of V-Rings, Type A

Order number	Shaft diameter $d_1$	Profile width B (after installation) $d_1 \text{ min} - d_1 \text{ max}$	Internal ring diameter $d$	Profile height C	Max. hole diameter $d_2$	Minimum housing diameter $d_3$
V 1050A	1015 - 1065	20, 0 ± 4, 0	955	15	$d_1 + 10$	$d_1 + 45$
V 1100A	1065 - 1115	20, 0 ± 4, 0	1000	15	$d_1 + 10$	$d_1 + 45$
V 1150A	1115 - 1165	20, 0 ± 4, 0	1045	15	$d_1 + 10$	$d_1 + 45$
V 1200A	1165 - 1215	20, 0 ± 4, 0	1090	15	$d_1 + 10$	$d_1 + 45$
V 1250A	1215 - 1270	20, 0 ± 4, 0	1135	15	$d_1 + 10$	$d_1 + 45$
V 1300A	1270 - 1320	20, 0 ± 4, 0	1180	15	$d_1 + 10$	$d_1 + 45$
V 1350A	1320 - 1370	20, 0 ± 4, 0	1225	15	$d_1 + 10$	$d_1 + 45$
V 1400A	1370 - 1420	20, 0 ± 4, 0	1270	15	$d_1 + 10$	$d_1 + 45$
V 1450A	1420 - 1470	20, 0 ± 4, 0	1315	15	$d_1 + 10$	$d_1 + 45$
V 1500A	1470 - 1520	20, 0 ± 4, 0	1360	15	$d_1 + 10$	$d_1 + 45$
V 1550A	1520 - 1570	20, 0 ± 4, 0	1405	15	$d_1 + 10$	$d_1 + 45$
V 1600A	1570 - 1620	20, 0 ± 4, 0	1450	15	$d_1 + 10$	$d_1 + 45$
V 1650A	1620 - 1670	20, 0 ± 4, 0	1495	15	$d_1 + 10$	$d_1 + 45$
V 1700A	1670 - 1720	20, 0 ± 4, 0	1540	15	$d_1 + 10$	$d_1 + 45$
V 1750A	1720 - 1770	20, 0 ± 4, 0	1585	15	$d_1 + 10$	$d_1 + 45$
V 1800A	1770 - 1820	20, 0 ± 4, 0	1630	15	$d_1 + 10$	$d_1 + 45$
V 1850A	1820 - 1870	20, 0 ± 4, 0	1675	15	$d_1 + 10$	$d_1 + 45$
V 1900A	1870 - 1920	20, 0 ± 4, 0	1720	15	$d_1 + 10$	$d_1 + 45$
V 1950A	1920 - 1970	20, 0 ± 4, 0	1765	15	$d_1 + 10$	$d_1 + 45$
V 2000A	1970 - 2020	20, 0 ± 4, 0	1810	15	$d_1 + 10$	$d_1 + 45$