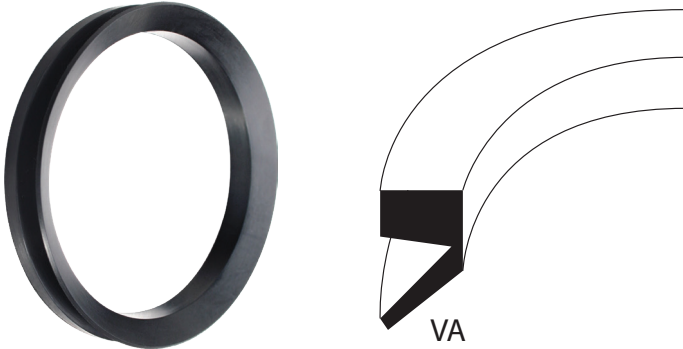
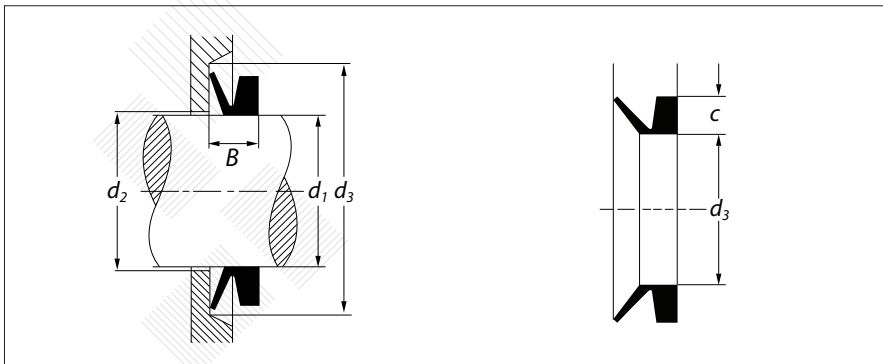


Standard range of V-Rings, Type A



Material	Temp. (°C)
NBR	-60/+115
FPM	-40/+230

Installation Recommendation



Standard range of V-Rings, Type A

Order number	Shaft diameter d_1	Profile width B (after installation) $d_1 \text{ min} - d_1 \text{ max}$	Internal ring diameter d	Profile height C	Max. hole diameter d_2	Minimum housing diameter d_3
V 3A	2.7 - 3.5	2.5 ± 0.3	2.5	1.5	$d_1 + 1$	$d_1 + 4$
V 4A	3.5 - 4.5	3.0 ± 0.4	3.2	2	$d_1 + 1$	$d_1 + 6$
V 5A	4.5 - 5.5	3.0 ± 0.4	4	2	$d_1 + 1$	$d_1 + 6$
V 6A	5.5 - 6.5	3.0 ± 0.4	5	2	$d_1 + 1$	$d_1 + 6$
V 7A	6.5 - 8.0	3.0 ± 0.4	6	2	$d_1 + 1$	$d_1 + 6$
V 8A	8.0 - 9.5	3.0 ± 0.4	7	2	$d_1 + 1$	$d_1 + 6$
V 10A	9.5 - 11.5	4.5 ± 0.6	9	3	$d_1 + 2$	$d_1 + 9$
V 12A	11.5 - 12.5	4.5 ± 0.6	10.5	3	$d_1 + 2$	$d_1 + 9$
V 13A	12.5 - 13.5	4.5 ± 0.6	11.7	3	$d_1 + 2$	$d_1 + 9$
V 14A	13.5 - 15.5	4.5 ± 0.6	12.5	3	$d_1 + 2$	$d_1 + 9$
V 16A	15.5 - 17.5	4.5 ± 0.6	14	3	$d_1 + 2$	$d_1 + 9$
V 18A	17.5 - 19	4.5 ± 0.6	16	3	$d_1 + 2$	$d_1 + 9$
V 20A	19 - 21	6.0 ± 0.8	18	4	$d_1 + 2$	$d_1 + 12$
V 22A	21 - 24	6.0 ± 0.8	20	4	$d_1 + 2$	$d_1 + 12$
V 25A	24 - 27	6.0 ± 0.8	22	4	$d_1 + 2$	$d_1 + 12$
V 28A	27 - 29	6.0 ± 0.8	25	4	$d_1 + 3$	$d_1 + 12$
V 30A	29 - 31	6.0 ± 0.8	27	4	$d_1 + 3$	$d_1 + 12$
V 32A	31 - 33	6.0 ± 0.8	29	4	$d_1 + 3$	$d_1 + 12$
V 35A	33 - 36	6.0 ± 0.8	31	4	$d_1 + 3$	$d_1 + 12$
V 38A	36 - 38	6.0 ± 0.8	34	4	$d_1 + 3$	$d_1 + 12$
V 40A	38 - 43	7.0 ± 1.0	36	5	$d_1 + 3$	$d_1 + 15$
V 45A	43 - 48	7.0 ± 1.0	40	5	$d_1 + 3$	$d_1 + 15$
V 50A	48 - 53	7.0 ± 1.0	45	5	$d_1 + 3$	$d_1 + 15$
V 55A	53 - 58	7.0 ± 1.0	49	5	$d_1 + 3$	$d_1 + 15$
V 60A	58 - 63	7.0 ± 1.0	54	5	$d_1 + 3$	$d_1 + 15$
V 65A	68 - 68	7.0 ± 1.0	58	6	$d_1 + 3$	$d_1 + 15$
V 70A	68 - 73	9.0 ± 1.2	63	6	$d_1 + 4$	$d_1 + 18$
V 75A	73 - 78	9.0 ± 1.2	67	6	$d_1 + 4$	$d_1 + 18$
V 80A	78 - 83	9.0 ± 1.2	72	6	$d_1 + 4$	$d_1 + 18$
V 85A	83 - 88	9.0 ± 1.2	74	6	$d_1 + 4$	$d_1 + 18$
V 90A	88 - 93	9.0 ± 1.2	81	6	$d_1 + 4$	$d_1 + 18$
V 95A	93 - 98	9.0 ± 1.2	85	6	$d_1 + 4$	$d_1 + 18$
V 100A	98 - 105	9.0 ± 1.2	90	6	$d_1 + 4$	$d_1 + 18$
V 110A	105 - 115	10.5 ± 1.5	99	7	$d_1 + 4$	$d_1 + 21$
V 120A	115 - 125	10.5 ± 1.5	108	7	$d_1 + 4$	$d_1 + 21$
V 130A	125 - 135	10.5 ± 1.5	117	7	$d_1 + 4$	$d_1 + 21$
V 140A	135 - 145	10.5 ± 1.5	126	7	$d_1 + 4$	$d_1 + 21$
V 150A	145 - 155	10.5 ± 1.5	135	7	$d_1 + 4$	$d_1 + 21$
V 160A	155 - 165	12.0 ± 1.8	144	8	$d_1 + 5$	$d_1 + 24$
V 170A	165 - 175	12.0 ± 1.8	153	8	$d_1 + 5$	$d_1 + 24$

Standard range of V-Rings, Type A

Order number	Shaft diameter d_1	Profile width B (after installation) $d_1 \text{ min} - d_1 \text{ max}$	Internal ring diameter d	Profile height C	Max. hole diameter d_2	Minimum housing diameter d_3
V 180A	175 - 185	12.0 ± 1.8	162	8	$d_1 + 5$	$d_1 + 24$
V 190A	185 - 195	12.0 ± 1.8	171	8	$d_1 + 5$	$d_1 + 24$
V 199A	195 - 210	12.0 ± 1.8	180	8	$d_1 + 5$	$d_1 + 24$
V 200A	190 - 210	20.0 ± 4.0	180	15	$d_1 + 10$	$d_1 + 45$
V 220A	210 - 235	20.0 ± 4.0	198	15	$d_1 + 10$	$d_1 + 45$
V 250A	235 - 265	20.0 ± 4.0	225	15	$d_1 + 10$	$d_1 + 45$
V 275A	265 - 290	20.0 ± 4.0	247	15	$d_1 + 10$	$d_1 + 45$
V 300A	290 - 310	20.0 ± 4.0	270	15	$d_1 + 10$	$d_1 + 45$
V 325A	310 - 325	20.0 ± 4.0	292	15	$d_1 + 10$	$d_1 + 45$
V 350A	335 - 365	20.0 ± 4.0	315	15	$d_1 + 10$	$d_1 + 45$
V 375A	365 - 390	20.0 ± 4.0	337	15	$d_1 + 10$	$d_1 + 45$
V 400A	390 - 430	20.0 ± 4.0	360	15	$d_1 + 10$	$d_1 + 45$
V 450A	430 - 480	20.0 ± 4.0	405	15	$d_1 + 10$	$d_1 + 45$
V 500A	480 - 530	20.0 ± 4.0	450	15	$d_1 + 10$	$d_1 + 45$
V 550A	530 - 580	20.0 ± 4.0	495	15	$d_1 + 10$	$d_1 + 45$
V 600A	580 - 630	20.0 ± 4.0	540	15	$d_1 + 10$	$d_1 + 45$
V 650A	630 - 665	20.0 ± 4.0	600	15	$d_1 + 10$	$d_1 + 45$
V 700A	665 - 705	20.0 ± 4.0	630	15	$d_1 + 10$	$d_1 + 45$
V 725A	705 - 745	20.0 ± 4.0	670	15	$d_1 + 10$	$d_1 + 45$
V 750A	745 - 785	20.0 ± 4.0	705	15	$d_1 + 10$	$d_1 + 45$
V 800A	785 - 830	20.0 ± 4.0	745	15	$d_1 + 10$	$d_1 + 45$
V 850A	830 - 875	20.0 ± 4.0	785	15	$d_1 + 10$	$d_1 + 45$
V 900A	875 - 920	20.0 ± 4.0	825	15	$d_1 + 10$	$d_1 + 45$
V 950A	920 - 965	20.0 ± 4.0	865	15	$d_1 + 10$	$d_1 + 45$
V 1000A	965 - 1015	20.0 ± 4.0	910	15	$d_1 + 10$	$d_1 + 45$
V 1050A	1015 - 1065	20.0 ± 4.0	955	15	$d_1 + 10$	$d_1 + 45$
V 1100A	1065 - 1115	20.0 ± 4.0	1000	15	$d_1 + 10$	$d_1 + 45$
V 1150A	1115 - 1165	20.0 ± 4.0	1045	15	$d_1 + 10$	$d_1 + 45$
V 1200A	1165 - 1215	20.0 ± 4.0	1090	15	$d_1 + 10$	$d_1 + 45$
V 1250A	1215 - 1270	20.0 ± 4.0	1135	15	$d_1 + 10$	$d_1 + 45$
V 1300A	1270 - 1320	20.0 ± 4.0	1180	15	$d_1 + 10$	$d_1 + 45$
V 1350A	1320 - 1370	20.0 ± 4.0	1225	15	$d_1 + 10$	$d_1 + 45$
V 1400A	1370 - 1420	20.0 ± 4.0	1270	15	$d_1 + 10$	$d_1 + 45$
V 1450A	1420 - 1470	20.0 ± 4.0	1315	15	$d_1 + 10$	$d_1 + 45$
V 1500A	1470 - 1520	20.0 ± 4.0	1360	15	$d_1 + 10$	$d_1 + 45$
V 1550A	1520 - 1570	20.0 ± 4.0	1405	15	$d_1 + 10$	$d_1 + 45$
V 1600A	1570 - 1620	20.0 ± 4.0	1450	15	$d_1 + 10$	$d_1 + 45$
V 1650A	1620 - 1670	20.0 ± 4.0	1495	15	$d_1 + 10$	$d_1 + 45$
V 1700A	1670 - 1720	20.0 ± 4.0	1540	15	$d_1 + 10$	$d_1 + 45$
V 1750A	1720 - 1770	20.0 ± 4.0	1585	15	$d_1 + 10$	$d_1 + 45$

Standard range of V-Rings, Type A

Order number	Shaft diameter d_1	Profile width B (after installation) $d_1 \text{ min} - d_1 \text{ max}$	Internal ring diameter d	Profile height C	Max. hole diameter d_2	Minimum housing diameter d_3
V 1800A	1770 - 1820	20.0 ± 4.0	1630	15	$d_1 + 10$	$d_1 + 45$
V 1850A	1820 - 1870	20.0 ± 4.0	1675	15	$d_1 + 10$	$d_1 + 45$
V 1900A	1870 - 1920	20.0 ± 4.0	1720	15	$d_1 + 10$	$d_1 + 45$
V 1950A	1920 - 1970	20.0 ± 4.0	1765	15	$d_1 + 10$	$d_1 + 45$
V 2000A	1970 - 2020	20.0 ± 4.0	1810	15	$d_1 + 10$	$d_1 + 45$