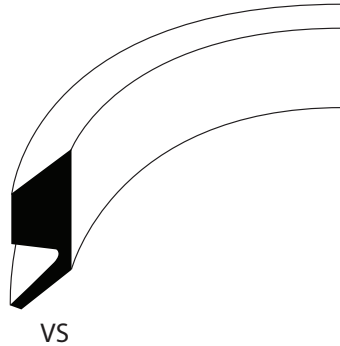
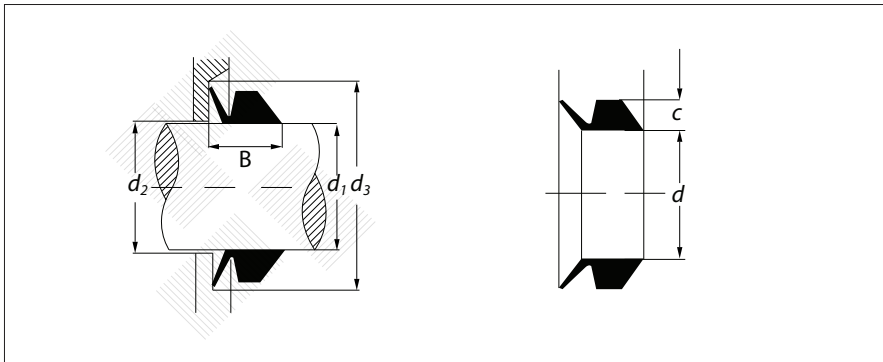


Standard range of V-Rings, Type L



Material	Temp. (°C)
NBR	-60/+115
FPM	-40/+230

Installation Recommendation



Standard range of V-Rings, Type L

Order number	Shaft diameter d_1	Profile width B (after installation) $d_1 \text{ min} - d_1 \text{ max}$	Internal ring diameter d	Profile height C	Max. hole diameter d_2	Minimum housing diameter d_3
V 5S	4, 5 - 5, 5	4, 5 \pm 0, 4	4	2	$d_1 + 1$	$d_1 + 6$
V 6S	5, 5 - 6, 5	4, 5 \pm 0, 4	5	2	$d_1 + 1$	$d_1 + 6$
V 7S	6, 5 - 8, 0	4, 5 \pm 0, 4	6	2	$d_1 + 1$	$d_1 + 6$
V 8S	8, 0 - 9, 5	4, 5 \pm 0, 4	7	2	$d_1 + 1$	$d_1 + 6$
V 10S	9, 5 - 11, 5	6, 7 \pm 0, 6	9	3	$d_1 + 2$	$d_1 + 9$
V 12S	11, 5 - 13, 5	6, 7 \pm 0, 6	10, 5	3	$d_1 + 2$	$d_1 + 9$
V 14S	13, 5 - 15, 5	6, 7 \pm 0, 6	12, 5	3	$d_1 + 2$	$d_1 + 9$
V 16S	15, 5 - 17, 5	6, 7 \pm 0, 6	14	3	$d_1 + 2$	$d_1 + 9$
V 18S	17, 5 - 19, 0	6, 7 \pm 0, 6	16	3	$d_1 + 2$	$d_1 + 9$
V 20S	19 - 21	9, 0 \pm 0, 8	18	4	$d_1 + 2$	$d_1 + 12$
V 22S	21 - 24	9, 0 \pm 0, 8	20	4	$d_1 + 2$	$d_1 + 12$
V 25S	24 - 27	9, 0 \pm 0, 8	22	4	$d_1 + 2$	$d_1 + 12$
V 28S	27 - 29	9, 0 \pm 0, 8	25	4	$d_1 + 3$	$d_1 + 12$
V 30S	29 - 31	9, 0 \pm 0, 8	27	4	$d_1 + 3$	$d_1 + 12$
V 32S	31 - 33	9, 0 \pm 0, 8	29	4	$d_1 + 3$	$d_1 + 12$
V 35S	33 - 36	9, 0 \pm 0, 8	31	4	$d_1 + 3$	$d_1 + 12$
V 38S	36 - 38	9, 0 \pm 0, 8	34	4	$d_1 + 3$	$d_1 + 12$
V 40S	38 - 43	11, 0 \pm 1, 0	36	5	$d_1 + 3$	$d_1 + 15$
V 45S	43 - 48	11, 0 \pm 1, 0	40	5	$d_1 + 3$	$d_1 + 15$
V 50S	48 - 53	11, 0 \pm 1, 0	45	5	$d_1 + 3$	$d_1 + 15$