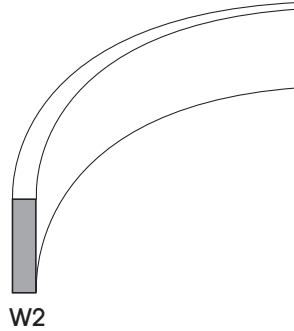


Wear Rings

W2

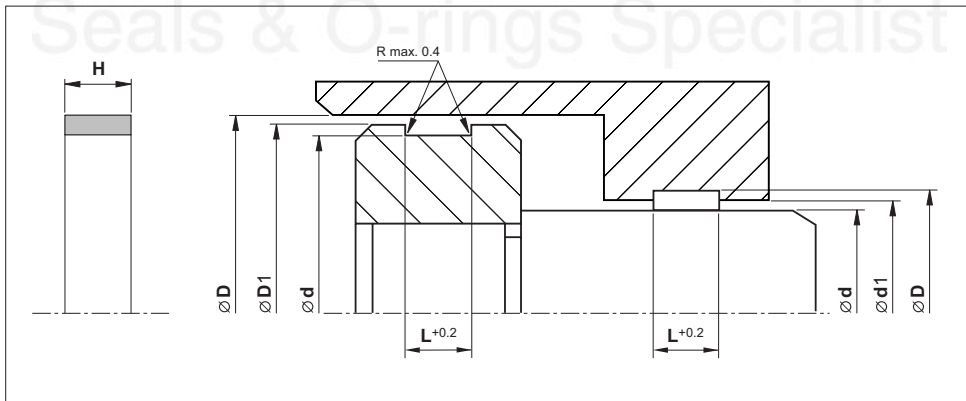
(Inch Size)



Material	Temp. (°c)	Speed (m/s)
Molygard	-30 +110	0.8

- Economical bearing ring.
- For low to medium duty applications.
- Easy to install.
- Low friction.

Installation Recommendation



Surface roughness

$\mu\text{in CLA}$

Sliding surface	4 to 16
Surface of housing	63 max
Sides of housing	125 max

Guide Ring - W2



(Inch Size)

Rod/ Groove Dia.	Bore/ Groove Dia.	Groove Width	Gland Dia.	Piston Dia.	Seal Height	Reference (For order processing)
d	D	L	d1	D1	H	
1.090	1.250	.510	-	1.225	.500	W1-1250-500
1.340	1.500	.510	-	1.475	.500	W1-1500-500
1.590	1.750	.510	-	1.725	.500	W1-1750-500
2.340	2.500	.510	-	2.475	.500	W1-2500-500
.750	1.000	.635	.773	.975	.625	W2-1000-625
1.250	1.500	.385	1.273	1.475	.375	W2-1500-375
1.250	1.500	.510	1.273	1.475	.500	W2-1500-500
1.375	1.625	.385	1.398	1.600	.375	W2-1625-375
1.500	1.750	.510	1.523	1.725	.500	W2-1750-500
1.750	2.000	.385	1.773	1.975	.375	W2-2000-375
1.750	2.000	.510	1.773	1.975	.500	W2-2000-500
1.750	2.000	.635	1.773	1.975	.625	W2-2000-625
2.000	2.250	.510	2.023	2.225	.500	W2-2250-500
2.000	2.250	.760	2.023	2.225	.750	W2-2250-750
2.250	2.500	.385	2.273	2.475	.375	W2-2500-375
2.250	2.500	.510	2.273	2.475	.500	W2-2500-500
2.375	2.625	.760	2.398	2.600	.750	W2-2625-750
2.500	2.750	.510	2.523	2.725	.500	W2-2750-500
2.625	2.875	.760	2.648	2.850	.750	W2-2875-750
2.750	3.000	.385	2.773	2.975	.375	W2-3000-375
2.750	3.000	.510	2.773	2.975	.500	W2-3000-500
2.750	3.000	1.010	2.773	2.975	1.000	W2-3000-1000
3.000	3.250	.510	3.023	3.225	.500	W2-3250-500
3.000	3.250	.760	3.023	3.225	.750	W2-3250-750
3.250	3.500	.385	3.273	3.475	.375	W2-3500-375
3.250	3.500	.510	3.273	3.475	.500	W2-3500-500
3.250	3.500	.635	3.273	3.475	.625	W2-3500-625
3.375	3.625	1.010	3.398	3.600	1.000	W2-3625-1000
3.500	3.750	.510	3.523	3.725	.500	W2-3750-500
3.500	3.750	1.010	3.523	3.725	1.000	W2-3750-1000
3.625	3.875	1.010	3.648	3.850	1.000	W2-3875-1000
3.750	4.000	.385	3.773	3.975	.375	W2-4000-375
3.750	4.000	.510	3.773	3.975	.500	W2-4000-500
3.750	4.000	1.010	3.773	3.975	1.000	W2-4000-1000
3.875	4.125	.510	3.898	4.100	.500	W2-4125-500
4.000	4.250	.510	4.023	4.225	.500	W2-4250-500
4.000	4.250	.765	4.023	4.225	.750	W2-4250-750
4.000	4.250	1.010	4.023	4.225	1.000	W2-4250-1000
4.250	4.500	.510	4.273	4.475	.500	W2-4500-500
4.250	4.500	1.010	4.273	4.475	1.000	W2-4500-1000

Guide Ring - W2

(Inch Size)

Rod/ Groove Dia.	Bore/ Groove Dia.	Groove Width	Gland Dia.	Piston Dia.	Seal Height	Reference (For order processing)
d	D	L	d1	D1	H	
4.500	4.750	.510	4.523	4.725	.500	W2-4750-500
4.500	4.750	1.010	4.523	4.725	1.000	W2-4750-1000
4.750	5.000	.510	4.773	4.975	.500	W2-5000-500
4.750	5.000	1.010	4.773	4.975	1.000	W2-5000-1000
4.750	5.000	1.760	4.773	4.975	1.750	W2-5000-1750
4.875	5.125	.510	4.898	5.100	.500	W2-5125-500
5.000	5.250	.510	5.023	5.225	.500	W2-5250-500
5.000	5.250	1.010	5.023	5.225	1.000	W2-5250-1000
5.250	5.500	.510	5.273	5.475	.500	W2-5500-500
5.250	5.500	.760	5.273	5.475	.750	W2-5500-750
5.250	5.500	1.010	5.273	5.475	1.000	W2-5500-1000
5.500	5.750	.510	5.523	5.725	.500	W2-5750-500
5.500	5.750	.635	5.523	5.725	.625	W2-5750-625
5.500	5.750	.885	5.523	5.725	.875	W2-5750-875
5.500	5.750	1.010	5.523	5.725	1.000	W2-5750-1000
5.500	5.750	1.760	5.523	5.725	1.750	W2-5750-1750
5.750	6.000	.510	5.773	5.975	.500	W2-6000-500
5.750	6.000	.760	5.773	5.975	.750	W2-6000-750
5.750	6.000	.885	5.773	5.975	.875	W2-6000-875
5.750	6.000	1.010	5.773	5.975	1.000	W2-6000-1000
6.000	6.250	.510	6.023	6.225	.500	W2-6250-500
6.000	6.250	.635	6.023	6.225	.625	W2-6250-625
6.000	6.250	.760	6.023	6.225	.750	W2-6250-750
6.000	6.250	1.010	6.023	6.225	1.000	W2-6250-1000
6.000	6.250	1.510	6.023	6.225	1.500	W2-6250-1500
6.250	6.500	.510	6.273	6.475	.500	W2-6500-500
6.250	6.500	1.010	6.273	6.475	1.000	W2-6500-1000
6.500	6.750	.510	6.523	6.725	.500	W2-6750-500
6.500	6.750	.635	6.523	6.725	.625	W2-6750-625
6.750	7.000	.510	6.773	6.975	.500	W2-7000-500
6.750	7.000	.760	6.773	6.975	.750	W2-7000-750
6.750	7.000	1.010	6.773	6.975	1.000	W2-7000-1000
6.750	7.000	1.510	6.773	6.975	1.500	W2-7000-1500
7.000	7.250	.510	7.023	7.225	.500	W2-7250-500
7.000	7.250	.760	7.023	7.225	.750	W2-7250-750
7.000	7.250	1.010	7.023	7.225	1.000	W2-7250-1000
7.250	7.500	.510	7.273	7.475	.500	W2-7500-500
7.250	7.500	.760	7.273	7.475	.750	W2-7500-750
7.250	7.500	1.010	7.273	7.475	1.000	W2-7500-1000
7.500	7.750	.510	7.523	7.725	.500	W2-7750-500

Guide Ring - W2

(Inch Size)

Rod/ Groove Dia.	Bore/ Groove Dia.	Groove Width	Gland Dia.	Piston Dia.	Seal Height	Reference (For order processing)
d	D	L	d1	D1	H	
7.750	8.000	.510	7.773	7.975	.500	W2-8000-500
7.750	8.000	.760	7.773	7.975	.750	W2-8000-750
7.750	8.000	1.010	7.773	7.975	1.000	W2-8000-1000
8.000	8.250	.510	8.023	8.225	.500	W2-8250-500
8.000	8.250	.635	8.023	8.225	.625	W2-8250-625
8.000	8.250	.760	8.023	8.225	.750	W2-8250-750
8.250	8.500	.760	8.273	8.475	.750	W2-8500-750
8.250	8.500	1.010	8.273	8.475	1.000	W2-8500-1000
8.500	8.750	.510	8.523	8.725	.500	W2-8750-500
8.500	8.750	.635	8.523	8.725	.625	W2-8750-625
8.500	8.750	.760	8.523	8.725	.750	W2-8750-750
8.750	9.000	.510	8.773	8.975	.500	W2-9000-500
8.750	9.000	.760	8.773	8.975	.750	W2-9000-750
9.000	9.250	.510	9.023	9.225	.500	W2-9250-500
9.750	10.000	.510	9.773	9.975	.500	W2-10000-500
9.750	10.000	1.010	9.773	9.975	1.000	W2-10000-1000
10.000	10.250	.510	10.023	10.225	.500	W2-10250-500
10.250	10.500	.510	10.273	10.475	.500	W2-10500-500
10.375	10.625	1.010	10.398	10.600	1.000	W2-10625-1000
10.750	11.000	.322	10.773	10.975	.312	W2-11000-312
10.750	11.000	.760	10.773	10.975	.750	W2-11000-750
11.250	11.500	.635	11.273	11.475	.625	W2-11500-625
11.750	12.000	.510	11.773	11.975	.500	W2-12000-500
11.750	12.000	.760	11.773	11.975	.750	W2-12000-750