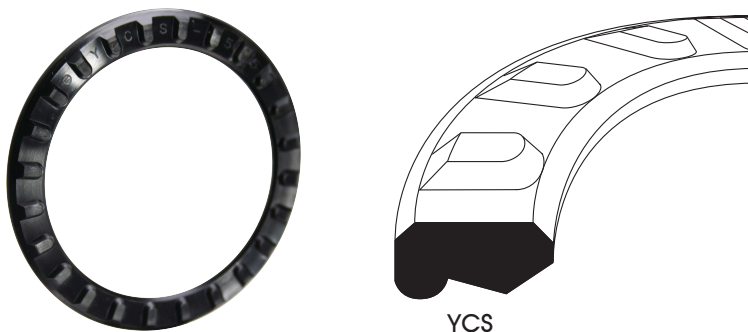


## Cushion Seals

YCS

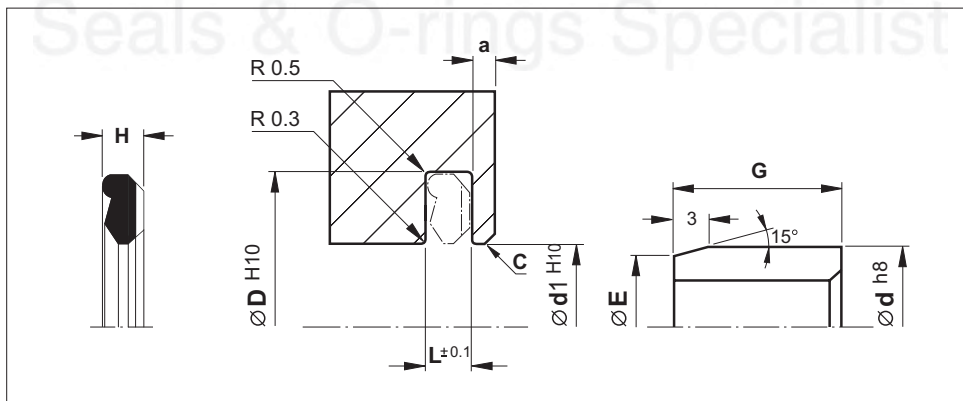
(Metric Size)



Material	Pressure (Bar)	Temp. (°C)	Speed (m/s)
NBR	10	-30 +80	1

- Low friction.
- High wear resistance.
- Simple snap assembly.

### Installation Recommendation



Surface roughness

Ra

Rt

Sliding surface

≤ 0.3 μm

≤ 4 μm

Surface of housing

≤ 1.8 μm

≤ 10 μm

Sides of housing

≤ 3.0 μm

≤ 16 μm

## Cushion Seals - YCS

(Metric Size)

Cushion Dia.	Groove Dia.	Seal Height	Bore Dia.	Groove Width	Step Width	Chamfer	Cushion Dimensions			Reference (For order processing)
							d	G	E	
22.0	32.0	3.2	23.0	4.0	2.0	1.0	22.0	24.0	20.4	YCS-022
24.0	35.0	3.5	25.0	4.5	2.0	1.0	24.0	26.0	22.4	YCS-024
28.0	40.0	4.0	29.0	5.0	2.5	1.5	28.0	28.0	26.4	YCS-028
35.0	49.0	4.7	36.2	5.7	3.0	2.0	35.0	30.0	33.4	YCS-035
45.0	60.0	5.0	46.2	6.0	3.0	2.0	45.0	32.0	43.4	YCS-045
55.0	71.0	5.5	56.5	6.5	3.0	2.0	55.0	34.0	53.4	YCS-055

