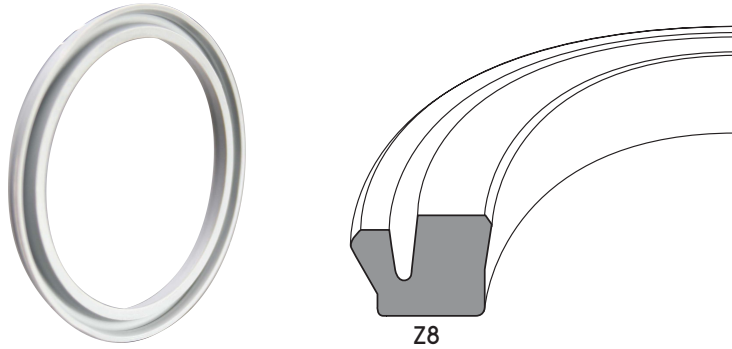


Piston Seals

Z8

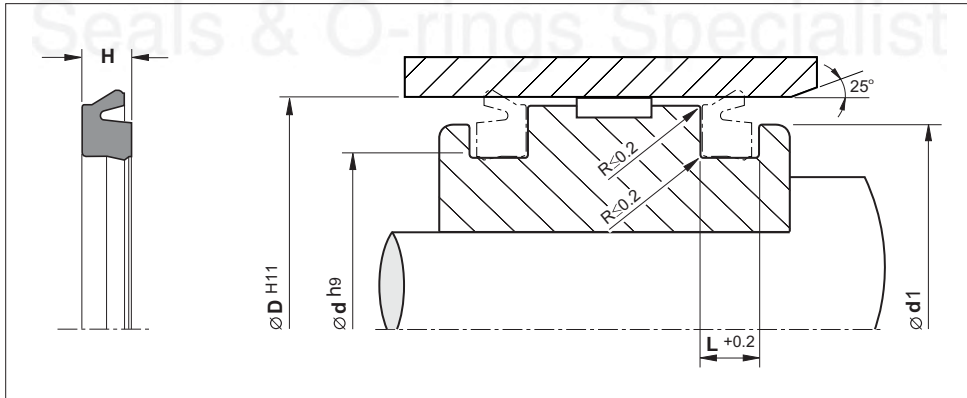
(Metric Size)



Material	Pressure (Bar)	Temp. (°c)	Speed (m/s)
SFR	16	-20 +80	1

- Good sealing performance.
- Low static and dynamic friction.
- Suitable for plastic pistons.
- Easy assembly in the seal grooves

Installation Recommendation



Surface roughness	Ra	Rmax
Sliding surface	$\leq 0.3 \mu\text{m}$	$\leq 2.5 \mu\text{m}$
Surface of housing	$\leq 1.6 \mu\text{m}$	$\leq 6.3 \mu\text{m}$
Sides of housing	$\leq 3.0 \mu\text{m}$	$\leq 15 \mu\text{m}$

# Piston - Z8

(Metric Size)

Bore Dia.	Groove Dia.	Seal Height	Groove Width	Fitting Dia.	Prefix No.	Reference (For order processing)
D	d	H	L	d1		
4.0	1.5	1.5	2.0	3.6	0415	UC 001.5-004-01.5 Z8
5.0	2.5	1.5	2.0	4.6	0504	UC 002.5-005-01.5 Z8
6.0	3.0	2.0	2.5	5.6	0630	UC 003-006-02 Z8
7.5	4.9	2.0	2.5	7.1	0750	UC 004.9-007.5-02 Z8
7.8	5.0	2.0	2.5	7.4	0785	UC 005-007.8-02 Z8
8.0	4.0	2.55	3.0	7.6	0804	UC 004-008-02.55 Z8
8.0	4.8	2.3	2.7	7.6	0806	UC 004.8-008-02.3 Z8
8.0	4.8	2.55	3.0	7.6	0807	UC 004.8-008-02.55 Z8
8.0	5.45	2.3	2.8	7.6	0810	UC 005.45-008-02.3 Z8
9.0	5.0	2.55	3.0	8.6	0905	UC 005-009-02.55 Z8
10.0	3.0	3.5	4.0	9.6	1003	UC 003-010-03.5 Z8
10.0	6.0	2.55	3.0	9.6	1006	UC 006-010-2.55 Z8
10.0	6.45	2.55	3.0	9.6	1007	UC 006.45-010-02.55 Z8
11.0	6.0	2.55	3.0	10.6	1106	UC 006-011-02.55 Z8
12.0	7.0	2.55	3.0	11.6	1207	UC 007-012-02.55 Z8
12.6	7.5	2.55	3.0	12.2	1260	UC 007.5-012.6-02.55 Z8
13.0	8.0	2.55	3.0	12.6	1030	UC 008-013-02.55 Z8
14.0	8.0	2.55	3.0	13.6	1421	UC 008-014-02.55 Z8
15.0	9.0	2.55	3.0	14.6	1509	UC 009-015-02.55 Z8
16.0	10.0	2.55	3.0	15.6	1610	UC 010-016-02.55 Z8
16.0	11.0	2.55	3.0	15.6	1611	UC 011-016-02.55 Z8
18.0	12.0	2.55	3.0	17.6	1812	UC 012-018-02.55 Z8
20.0	14.0	2.55	3.0	19.6	2014	UC 014-020-02.55 Z8
21.0	15.0	2.55	3.0	20.4	2115	UC 015-021-02.55 Z8
22.0	16.0	2.55	3.0	21.4	2216	UC 016-022-02.55 Z8
24.0	18.0	3.25	3.5	23.4	2418	UC 018-024-03.25 Z8
25.0	19.0	3.25	3.5	24.4	2519	UC 019-025-03.25 Z8
25.0	19.0	4.0	4.5	24.4	2520	UC 019-025-04 Z8
28.0	22.0	3.25	3.5	27.4	2822	UC 022-028-03.25 Z8
30.0	21.0	2.75	3.2	29.4	3021	UC 021-030-02.75 Z8
30.0	22.0	3.25	3.5	29.4	3022	UC 022-030-03.25 Z8
30.0	22.5	4.8	5.2	29.4	3023	UC 022.5-030-04.8 Z8
32.0	24.0	3.25	3.5	31.4	3224	UC 024-032-03.25 Z8
35.0	27.0	3.25	3.5	34.4	3527	UC 027-035-03.25 Z8
36.0	28.0	3.25	3.5	35.4	3628	UC 028-036-03.25 Z8
37.0	29.0	3.25	3.5	36.4	3729	UC 029-037-03.25 Z8
38.0	30.0	3.25	3.5	37.4	3818	UC 030-038-03.25 Z8
40.0	32.0	3.25	3.5	39.4	4032	UC 032-040-03.25 Z8
42.0	34.0	3.25	3.5	41.4	4234	UC 034-042-03.25 Z8
45.0	37.0	3.25	3.5	44.4	4522	UC 037-045-03.25 Z8

(Metric Size)

Bore Dia.	Groove Dia.	Seal Hight	Groove Width	Fitting Dia.	Prefix No.	Reference (For order processing)
D	d	H	L	d1		
50.0	42.0	3.25	3.5	49.4	5042	UC 042-050-03.25 Z8
52.0	42.0	4.25	4.5	51.4	5205	UC 042-052-04.25 Z8
57.0	50.5	3.25	3.5	56.4	5705	UC 050.5-057-03.25 Z8
58.0	48.0	4.25	4.5	57.4	5816	UC 048-058-04.25 Z8
63.0	53.0	4.25	4.5	62.4	6353	UC 053-063-04.25 Z8
80.0	70.0	4.25	4.5	79.4	8070	UC 070-080-04.25 Z8
90.0	80.0	4.25	4.5	89.4	9080	UC 080-090-04.25 Z8
100.0	90.0	4.25	4.5	99.4	A090	UC 090-100-04.25 Z8
125.0	105.0	8.25	8.5	123.8	C505	UC 105-125-08.25 Z8
150.0	130.0	8.25	8.5	148.8	F113	UC 130-150-08.25 Z8
160.0	140.0	8.25	8.5	158.8	G014	UC 140-160-08.25 Z8
200.0	180.0	8.25	8.5	198.8	L018	UC 180-200-08.25 Z8

**SPEC SEAL**  
Seals & O-rings Specialist